

项目名称

小米无线吸尘器 G10Plus ( 欧规版 )

版本号

A00

设计时间

20220505

物料名称

说明书

设计师

张琴

审核

批准

*McGrp.Ru*

料号

04170500000859

材质工艺要求:

材质要求: 封面: 157g 金东太空梭哑粉纸, 单面过油; 内页: 68g 晨鸣云镜

颜色及专色: Pantone cool gray 11 C

尺寸要求: 成品尺寸: 210\*140MM

变更履历:

- For further information, please go to [www.mi.com](http://www.mi.com)  
Manufactured for: Xiaomi Communications Co., Ltd.  
Manufactured by: Dreame (Tianjin) Information Technology Co., Ltd. (a Mi Ecosystem company)  
Address: Room 2112-1-1, South District, Finance and Trade Center, No.6975 Yazhou Road, Dongjiang Bonded Port Area, Tianjin Pilot Free Trade Zone, Tianjin, China
- Per ulteriori informazioni, visitare il sito [www.mi.com](http://www.mi.com)  
Fabbricato per: Xiaomi Communications Co., Ltd.  
Fabbricato da: Dreame (Tianjin) Information Technology Co., Ltd. (un'azienda del Mi Ecosystem)  
Indirizzo: Room 2112-1-1, South District, Finance and Trade Center, No.6975 Yazhou Road, Dongjiang Bonded Port Area, Tianjin Pilot Free Trade Zone, Tianjin, Cina
- Pour plus d'informations, rendez-vous sur [www.mi.com](http://www.mi.com)  
Fabriqué pour : Xiaomi Communications Co., Ltd.  
Fabricant : Dreame (Tianjin) Information Technology Co., Ltd. (une société Mi Ecosystem)  
Adresse : Room 2112-1-1, South District, Finance and Trade Center, No.6975 Yazhou Road, Dongjiang Bonded Port Area, Tianjin Pilot Free Trade Zone, Tianjin, Chine
- Weitere Informationen finden Sie auf [www.mi.com](http://www.mi.com)  
Hergestellt für: Xiaomi Communications Co., Ltd.  
Hersteller: Dreame (Tianjin) Information Technology Co., Ltd. (ein Unternehmen von Mi Ecosystem)  
Adresse: Room 2112-1-1, South District, Finance and Trade Center, No.6975 Yazhou Road, Dongjiang Bonded Port Area, Tianjin Pilot Free Trade Zone, Tianjin, China
- Para obtener más información, visite [www.mi.com](http://www.mi.com)  
Fabricado para: Xiaomi Communications Co., Ltd.  
Fabricado por: Dreame (Tianjin) Information Technology Co., Ltd. (una empresa Mi Ecosystem)  
Dirección: Room 2112-1-1, South District, Finance and Trade Center, No.6975 Yazhou Road, Dongjiang Bonded Port Area, Tianjin Pilot Free Trade Zone, Tianjin, China
- Para mais informações, consulte o site [www.mi.com](http://www.mi.com)  
Fabricado para: Xiaomi Communications Co., Ltd.  
Fabricante: Dreame (Tianjin) Information Technology Co., Ltd. (Uma empresa do Ecossistema Mi)  
Morada: Room 2112-1-1, South District, Finance and Trade Center, No.6975 Yazhou Road, Dongjiang Bonded Port Area, Tianjin Pilot Free Trade Zone, Tianjin, China
- Чтобы получить дополнительную информацию, посетите сайт [www.mi.com](http://www.mi.com)  
Изготовлено для: Xiaomi Communications Co., Ltd.  
Изготовитель: Dreame (Tianjin) Information Technology Co., Ltd. (компания Экосистемы Mi)  
Адрес: Room 2112-1-1, South District, Finance and Trade Center, No.6975 Yazhou Road, Dongjiang Bonded Port Area, Tianjin Pilot Free Trade Zone, Tianjin, Китай
- Więcej informacji: [www.mi.com](http://www.mi.com)  
Wyprodukowano dla: Xiaomi Communications Co., Ltd.  
Producent: Dreame (Tianjin) Information Technology Co., Ltd. (spółka Mi Ecosystem)  
Adres: Room 2112-1-1, South District, Finance and Trade Center, No.6975 Yazhou Road, Dongjiang Bonded Port Area, Tianjin Pilot Free Trade Zone, Tianjin, Chiny
- Daha fazla bilgi için lütfen [www.mi.com](http://www.mi.com)'u ziyaret edin  
Şu şirket için üretildi: Xiaomi Communications Co., Ltd.  
Üretici: Dreame (Tianjin) Information Technology Co., Ltd. (Mi Ekosisteminde yer alan şirketlerden biri)  
Adres: Room 2112-1-1, South District, Finance and Trade Center, No.6975 Yazhou Road, Dongjiang Bonded Port Area, Tianjin Pilot Free Trade Zone, Tianjin, Çin
- Ga voor meer informatie naar [www.mi.com](http://www.mi.com)  
Geproduceerd voor: Xiaomi Communications Co., Ltd.  
Geproduceerd door: Dreame (Tianjin) Information Technology Co., Ltd. (een Mi Ecosystem-bedrijf)  
Adres: Room 2112-1-1, South District, Finance and Trade Center, No.6975 Yazhou Road, Dongjiang Bonded Port Area, Tianjin Pilot Free Trade Zone, Tianjin, China

McGrp.Ru



**Xiaomi** Vacuum Cleaner G10 Plus User Manual · 01

Manuale utente Xiaomi Vacuum Cleaner G10 Plus · 27

Manuel d'utilisation du Xiaomi Vacuum Cleaner G10 Plus · 53

Xiaomi Handstaubsauger G10 Plus Benutzerhandbuch · 79

Manual de usuario de Xiaomi Vacuum Cleaner G10 Plus · 105

Manual do Utilizador do Aspirador Xiaomi G10 Plus · 131

Руководство пользователя Пылесоса Xiaomi Vacuum Cleaner G10 Plus · 157

Odkurzacz Xiaomi G10 Plus Instrukcja obsługi · 184

Xiaomi Elektrikli Süpürge G10 Plus Kullanım Kılavuzu · 210

Xiaomi Stofzuiger G10 Plus Gebruikershandleiding · 236

*McGrp.Ru*



## Safety Instructions

---

This product is for household use only. Read this manual carefully before use, and retain it for future reference.

This appliance can be used by children aged from 8 years and above and persons with reduced physical, sensory or mental capabilities or lack of experience and knowledge if they have been given supervision or instruction concerning use of the appliance in a safe way and understand the hazards involved. Children shall not play with the appliance. Cleaning and user maintenance shall not be made by children without supervision.

Do not use the product at an ambient temperature above 38°C or below 5°C or on a floor with liquids or sticky substances.

If the charger or battery pack is damaged, it must be replaced by a special cord or assembly available from the manufacturer or its service agent.

To reduce the risk of fire, explosion, or personal injury, check to make sure the lithium-ion battery and charger are undamaged before use. Do not use the vacuum cleaner if either the battery or charger is damaged.

Only use the vacuum cleaner on dry indoor surfaces. Do not install, charge, or use this product outdoors, such as in bathrooms, or near a pool.

Do not touch the plug or any part of the vacuum cleaner with wet hands.

The high torque brush bar, mini electric brush, battery, extension rod, and the vacuum cleaner are electrically conductive and should not be immersed in water or other liquid. Make sure all parts are thoroughly dry after you carry out cleaning on them.

To prevent injury caused by moving parts, turn off the vacuum cleaner before cleaning the high torque brush bar and mini electric brush. The high torque brush bar, dust compartment, and filter must all be properly installed before using the vacuum cleaner.

Do not use the vacuum cleaner to pick up flammable or combustible liquids, such as gasoline, bleach, ammonia, or drain cleaners; nor other liquids like water.

Do not use the vacuum cleaner to pick up drywall particles, ashes like fireplace ash, or smoking or burning materials such as coal, cigarette butts or matches.

Do not use the vacuum cleaner to pick up sharp or hard objects, such as glass, nails, screws, or coins, which may damage the product.

Keep hair, loose clothing, fingers, and other parts of the body away from the vacuum cleaner's openings and moving parts. Do not point the suction opening, extension rod, or other accessories at your eyes or ears or put them in your mouth.

Do not put any object into the vacuum cleaner's openings, nor use the vacuum cleaner with any opening blocked. Keep free of dust, lint, hair, or other items which may reduce airflow.

Do not rest the vacuum cleaner against a chair, table, or other unstable surfaces, as this may cause damage to the product or personal injury. If the vacuum cleaner malfunctions because of being knocked over or damaged, please contact the authorized service department. Never attempt to disassemble the vacuum cleaner on your own.

The dust compartment cover, pre-filter, cyclone assembly, and filter must all be properly installed prior to using the vacuum cleaner.

Make sure the charger is unplugged when not used for extended periods as well as prior to performing any maintenance or repairs.

Please be extra careful when using the vacuum cleaner to clean stairs.

Fire Hazard Warning: Do not apply any type of fragrance to the vacuum cleaner's filter. These types of products are known to contain flammable chemicals which may cause the vacuum cleaner to catch fire.

DO NOT expose the battery and appliance to fire as it may cause explosion.

DO NOT expose or submerge the battery and appliance in any water, salt water, or other liquids.

WARNING: Do not use any third-party battery pack and charger.

Use only with BLJ24W308080P-V charger.

Use only with V2210-7S1P-BCA/V2210-7S1P-BWA battery pack.

Please strictly follow the instructions in this user manual when using the vacuum cleaner. Users are responsible for any loss or damage that may arise from improper use of the vacuum cleaner.

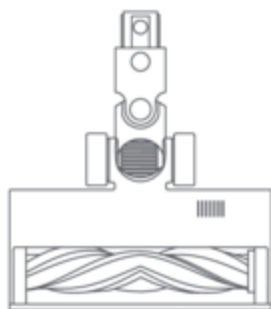
## Product Overview

---

### Accessories List



Extension Rod



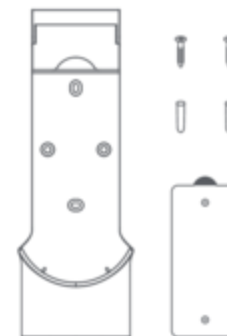
High Torque Brush Bar



Crevice Nozzle



Charger



2-in-1 Charging & Storage Mount  
(includes screw × 2, wall plug × 2, and mounting template sticker)



Mini Electric Brush



2-in-1 Brush Nozzle



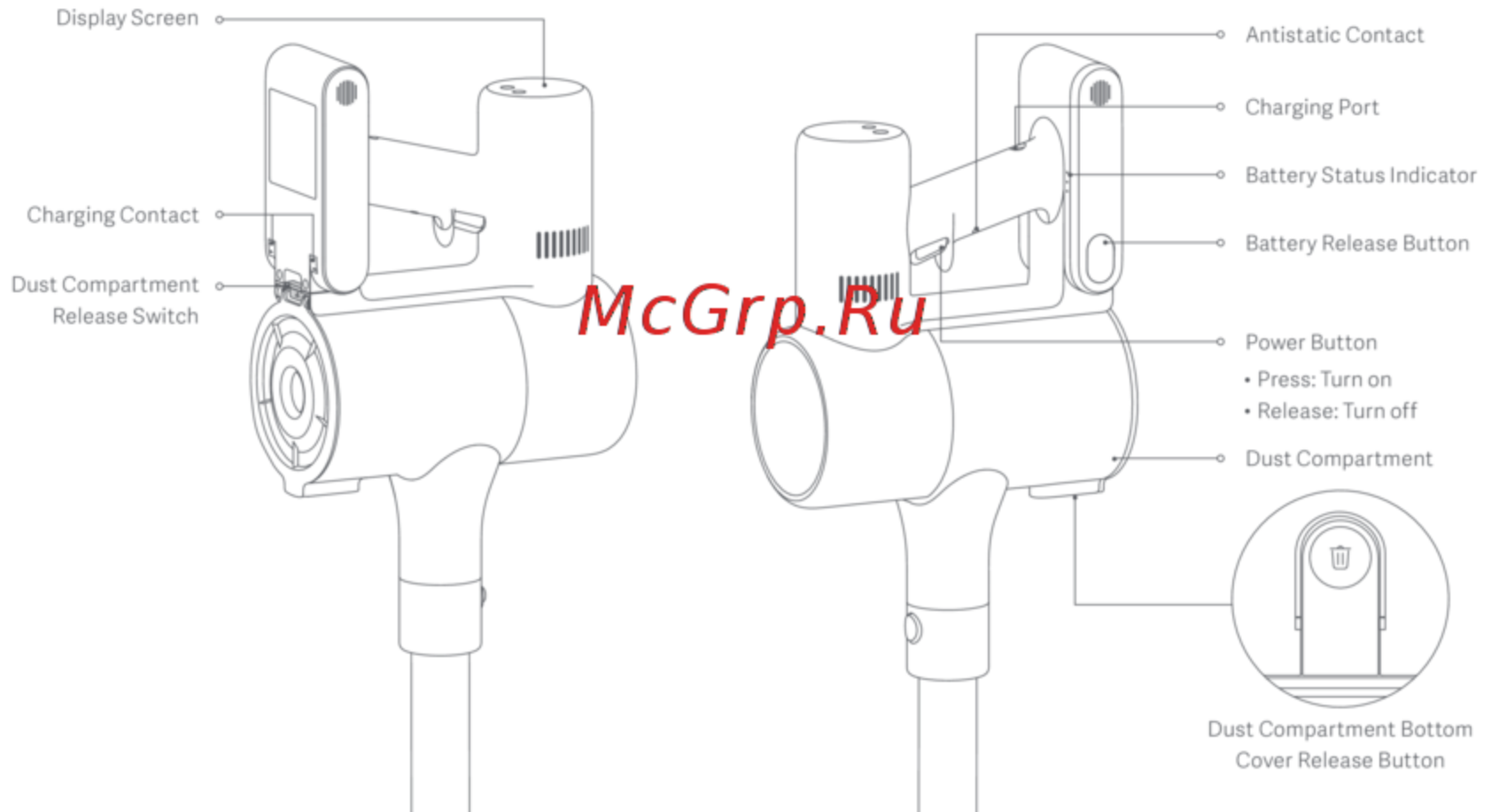
Water Tank



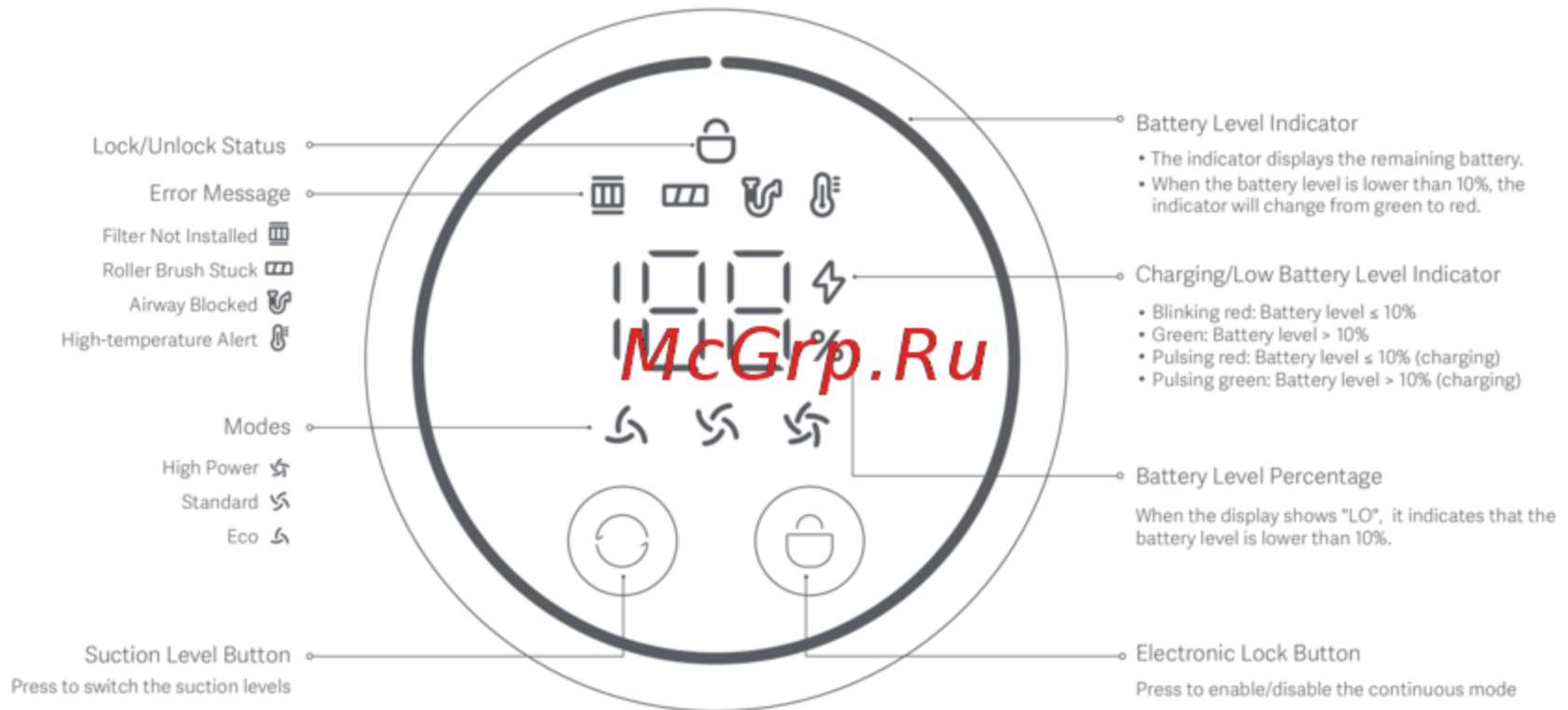
Mop Pad  
(Pre-installed)

Note: Illustrations of product, accessories, and user interface in the user manual are for reference purposes only. Actual product and functions may vary due to product enhancements.

Component Name



## Display Screen



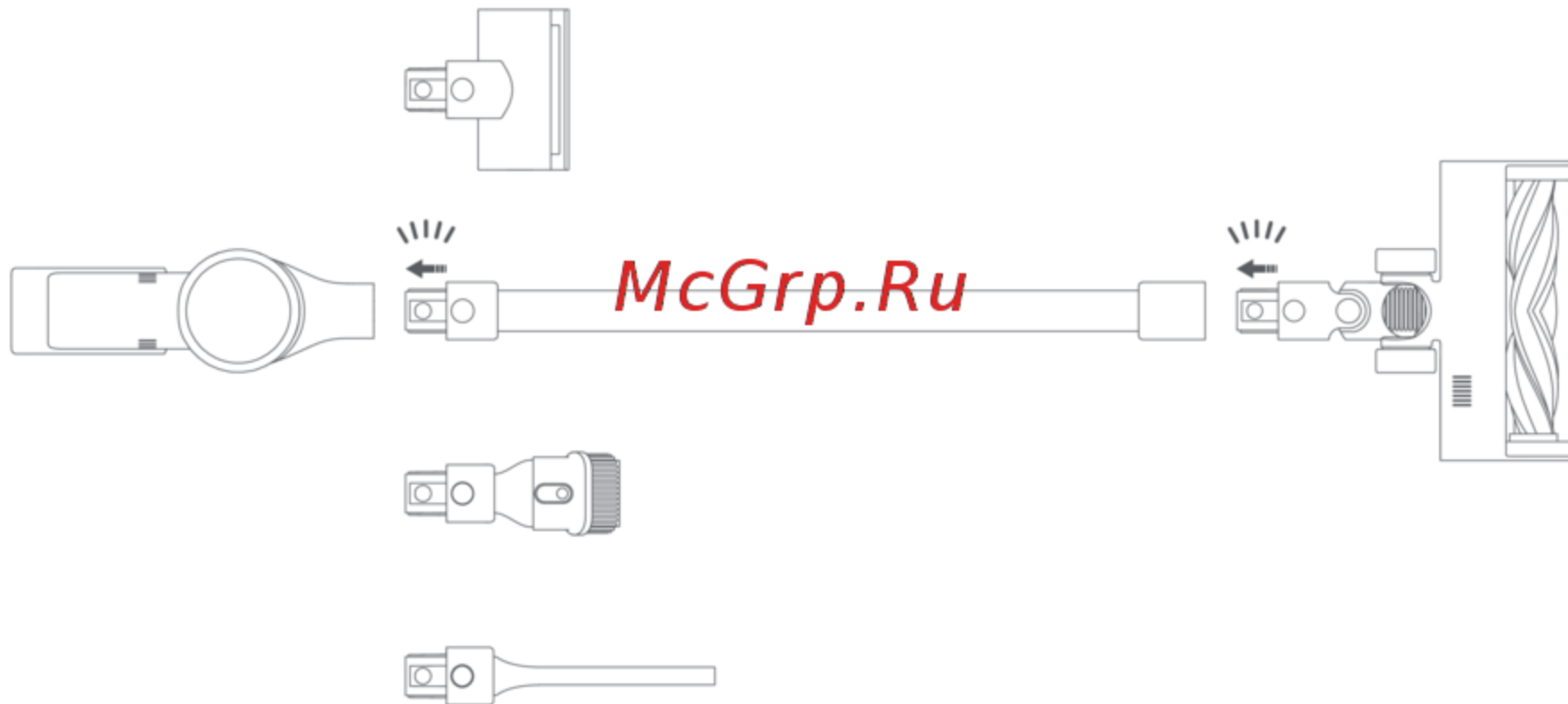
Note: If the vacuum cleaner experiences a malfunction, the display screen will show an error message. For a solution, please refer to the Troubleshooting section.



## How to Install

### Installing the Accessories onto the Vacuum Cleaner

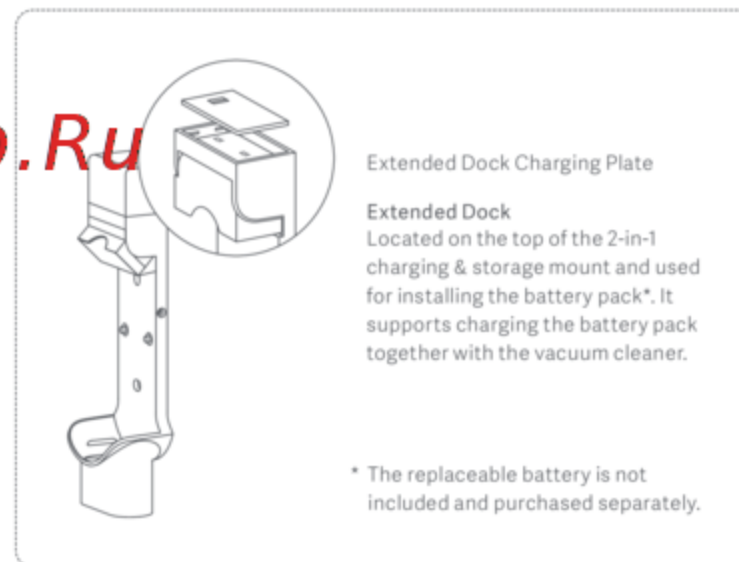
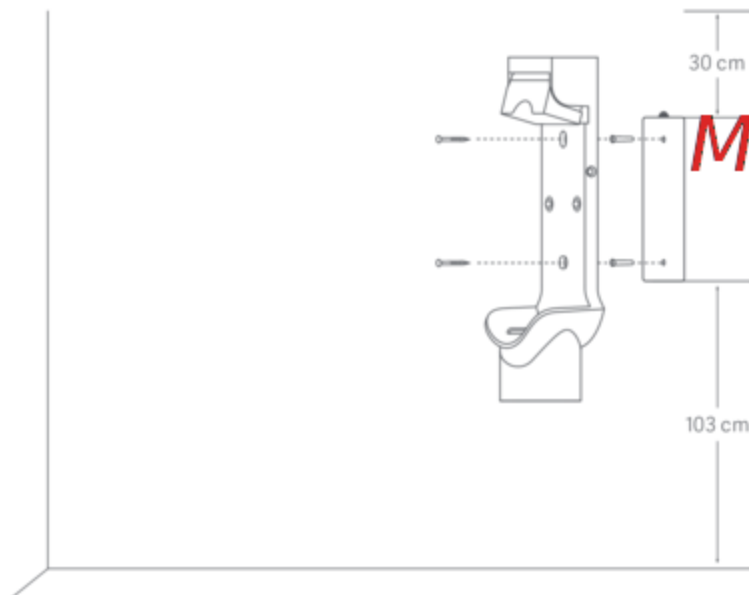
 Insert until it clicks into place



Note: Mini electric brush should not be used with the extension rod.

## Installing the 2-in-1 Charging & Storage Mount

1. The 2-in-1 charging & storage mount should be installed in a cool, dry place with an electrical outlet nearby. Prior to installing, ensure that there are not any wires or pipes in the space directly behind where the mount will be installed.
2. The bottom of the mounting template sticker should be level and at least 1.03 m from the ground, and its top should have at least 30 cm of clearance above it.
3. Use a power drill with an 8 mm drill bit to drill a hole into each hole marker on the mounting template sticker, then insert a wall plug into each hole.
4. Align the mounting holes on the 2-in-1 charging & storage mount to the holes on the wall, then attach the mount to the wall using the included screws.



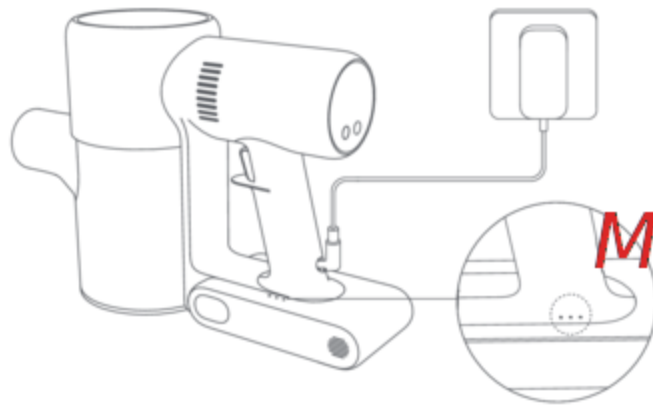
Recommended Height: At least 1.03 meters from the ground

## Charging

### Battery Status Indicator

Note: ○ means off, ● means on, and ●○ means blinking.

- |     |              |      |               |      |             |
|-----|--------------|------|---------------|------|-------------|
| ●○  | ○            | ○    | Low battery   | ●●●○ | Nearly full |
| ●●○ | Half battery | ●●●● | Fully charged |      |             |



Battery Status Indicator

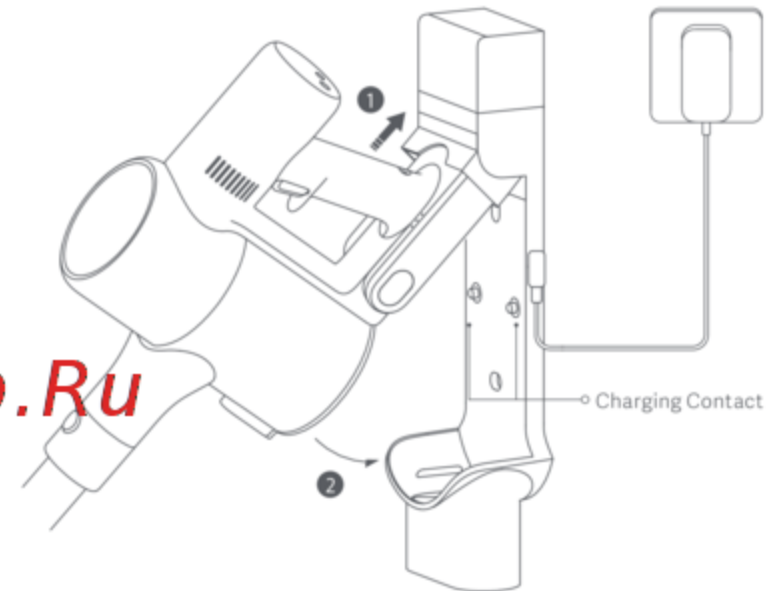
Charging the vacuum cleaner with the charger

Once the vacuum cleaner is fully charged, the indicator will turn off after 5 minutes, and the vacuum cleaner will then enter the energy-saving mode.

### Display Screen

The number on the display screen represents the current battery level in a percentage during charging. When the number turns into 100, the battery is fully charged.

When the vacuum cleaner is being charged, you can press the power button to wake up the display and check the current charging percentage.



Charging the vacuum cleaner on the charging mount

### Notes:

- Fully charge the vacuum cleaner before using it for the first time. This will take about 4 hours.
- The vacuum cleaner cannot be used while charging.
- Vacuuming at the highest suction level for a prolonged period will cause the battery to heat up, which may increase the charging time. Before charging the vacuum cleaner, it is better to cool it down for 30 minutes.

## How to Use

### Switching Suction Levels

Press the button  to cycle through the vacuum cleaner's suction levels of Eco, Standard, and Turbo. The corresponding suction level indicator will be highlighted on the display.

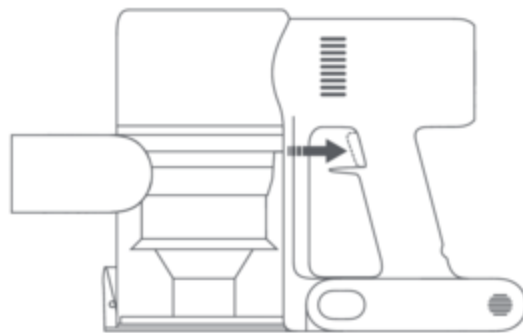
Note: After the vacuum cleaner is turned off and turned back on again, the suction level will be the last used one.

### Working Modes

The vacuum cleaner has two working modes, you can select the desired one based on your cleaning needs.


- Non-continuous Mode

Hold down the power button to start the vacuum cleaner, then release to stop it.



Non-continuous Mode

- Continuous Mode

Press the button  to enable Continuous Mode, then press the power button to turn the vacuum cleaner on. To exit Continuous Mode, press the button . Enabling the Continuous Mode allows the vacuum cleaner to run continuously without having to hold down the power button, which can help release your fingers.



Continuous Mode

Notes:

- In Continuous Mode, the vacuum cleaner will enter into standby mode when pressing the power button, and resume running if pressing the button again.
- When the vacuum cleaner keeps in standby mode for more than 10 seconds, its display screen will go off and the vacuum cleaner will then exit the Continuous Mode.

## Using Different Accessories

**High Torque Brush Bar:** For cleaning different types of flooring such as wood, marble, tile, and carpet.

**Note:** The high torque brush bar can be attached directly to the vacuum cleaner.



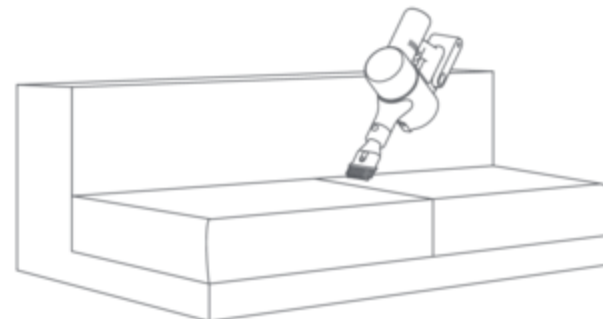
**Mini Electric Brush:** For vacuuming dirt, pet hair, and other stubborn debris from sofas, bedding, and other fabric surfaces.



**Crevice Nozzle:** For vacuuming narrow crevices and areas around doors, windows, baseboards, corners, stairs, etc.



**2-in-1 Brush Nozzle:** For vacuuming curtains, sofas, vehicle interiors, coffee tables, etc.



### Notes:

- If any rotating part becomes stuck, the vacuum cleaner may shut off automatically. Remove any trapped foreign objects, then resume use.
- When the high-temperature protection for the battery is triggered, the vacuum cleaner will automatically stop working. Wait until the battery temperature returns to normal, then resume use.

## Using the Mopping Function

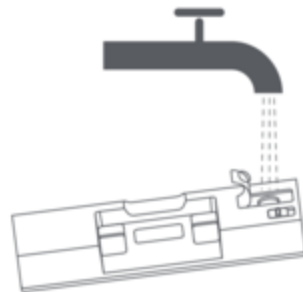
### Notes:

- Do not step on the water tank, as this could permanently damage it.
- Heavily soiled floors should be vacuumed prior to mopping for a better result.
- Do not use the mopping function on carpet.
- Do not use any cleaning agents or disinfectants.

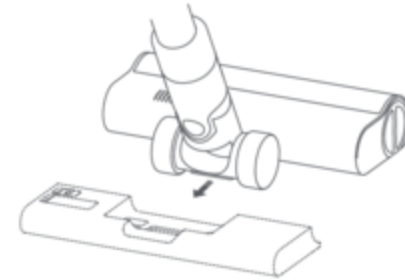
1. Dampen the mop pad and wring out excess water, then attach it securely to the bottom of the water tank.



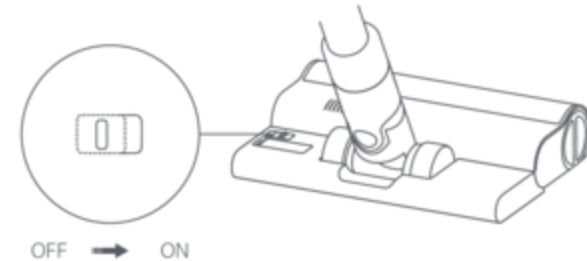
2. Open the water tank plug, add an appropriate amount of clean water, then close the plug.



3. Attach the high torque brush bar to the water tank by lining up the magnets on them until they snap together.



4. This function is designed for vacuuming and wiping down hardwood and tile floors.



### Notes:

- The ball valve in the water tank controls how much water is dispensed. The ball is a moving part and may make a rolling sound when starting and stopping. This is normal.
- When not in use, please keep the switch to the OFF position.

## Care & Maintenance

### Maintenance Precautions

- Always use genuine parts to keep your warranty from being voided.
- If the filter, extension rod, or high torque brush bar becomes clogged, the vacuum cleaner will stop working shortly. To restore its functionality, clean the clogged component.
- If the vacuum cleaner will not be used for an extended period, fully charge it and disconnect it from the power then store it in a cool, low-humidity environment away from direct sunlight. To avoid over-discharging the battery, recharge the vacuum cleaner at least once every three months.

### Cleaning the Vacuum Cleaner

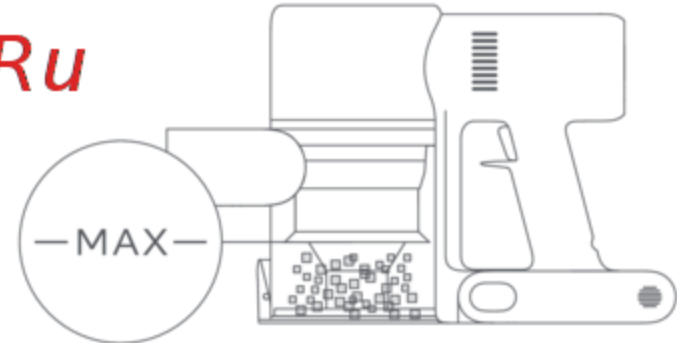
Wipe the vacuum cleaner with a soft, dry cloth.



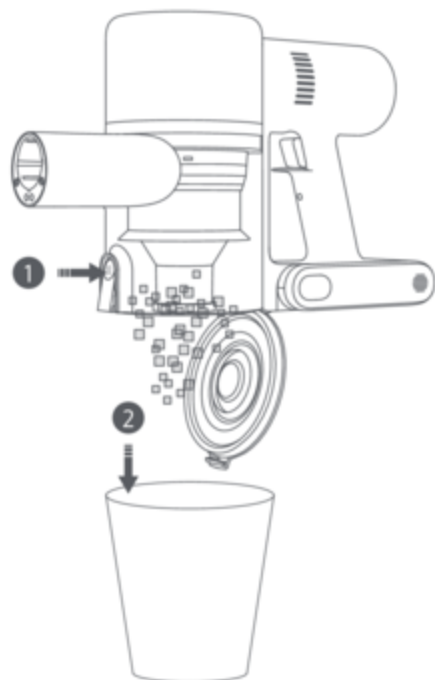
### Cleaning the Dust Compartment, Pre-filter, and Cyclone Assembly

1. The vacuum cleaner's cleaning ability will be reduced if the dust compartment is filled to the "MAX" mark. To regain performance, empty the dust compartment in a timely manner. Before emptying the compartment, make sure the vacuum cleaner is disconnected from the power, and do not press its power button.

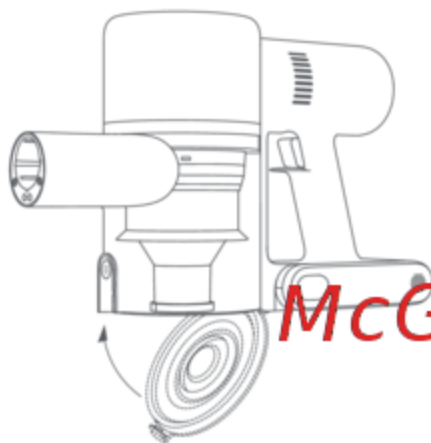
*McGrp.Ru*



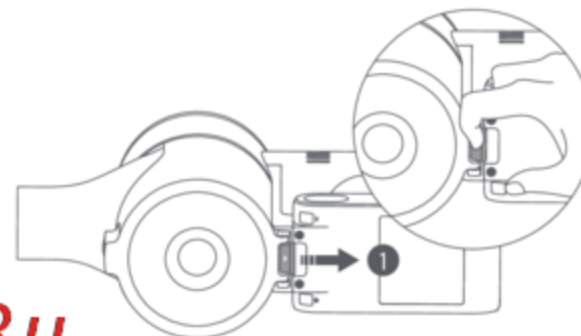
2. Press the dust compartment bottom cover release button, then empty the contents.



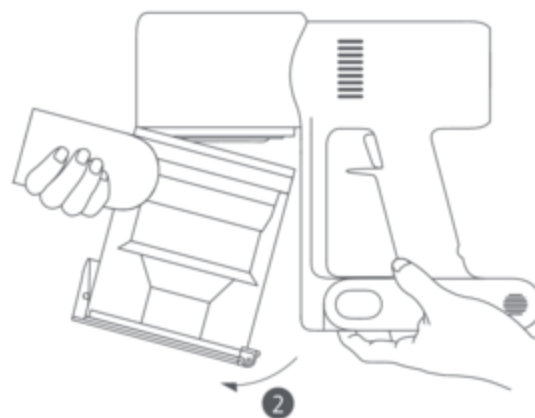
3. Pull the dust compartment release switch in the direction illustrated in image 1, then remove the dust compartment from the vacuum cleaner as illustrated in image 2.



*McGrp.Ru*



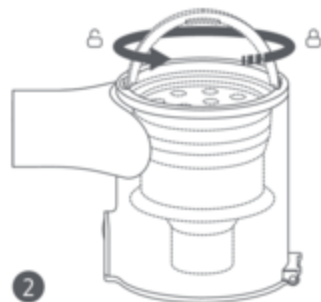
Dust Compartment Release Switch





4. Remove the pre-filter first, then lift the handle of the cyclone assembly and turn to counterclockwise until it stops, then pull to lift out the cyclone assembly.

5. Rinse the pre-filter, cyclone assembly, and dust compartment with water until they are clean, then set each component aside to thoroughly dry for at least 24 hours.



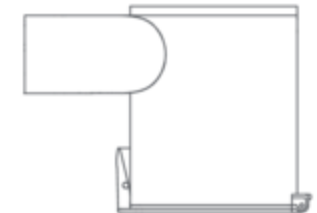
*McGrp.Ru*



Pre-filter



Cyclone Assembly

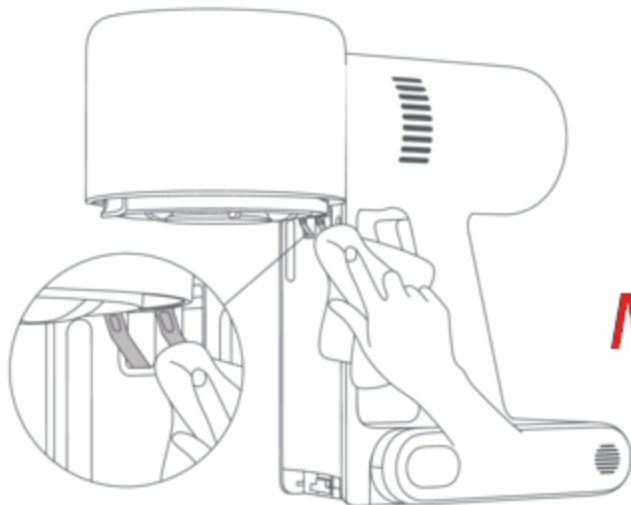


Dust Compartment

Notes:

- The dust compartment should be rinsed out at least once a month.
- The pre-filter and cyclone assembly should be cleaned once every 3 to 4 months.

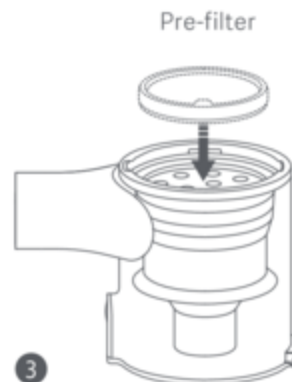
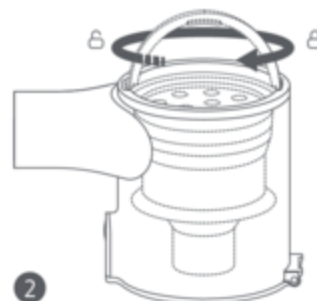
6. Wipe the contact points of the vacuum cleaner with a soft dry cloth if they are dirty.



### Installing the Dust Compartment, Pre-filter, and Cyclone Assembly

1. Insert the cyclone assembly vertically into the dust compartment, and make sure that the handle of the cyclone assembly line up with the slot on the left side of the dust compartment. Turn the handle clockwise until it locks, then flip the handle down.
2. Place the pre-filter with its front side facing up into the cyclone assembly.

*McGrp.Ru*



#### Notes:

- Do not use detergents, polishes, or air fresheners to clean the dust compartment.
- Do not clean the dust compartment, pre-filter, or cyclone assembly in a dishwasher or washing machine, nor attempt to dry any component in a tumble dryer, oven, microwave, or near an open fire.

3. Slightly tilt the dust compartment so its slot aligns with the clip on the vacuum cleaner. Then gently push the dust compartment until it clicks into place.



Insert until it clicks into place

## Cleaning the Filter

1. Remove the dust compartment as shown in the figure.

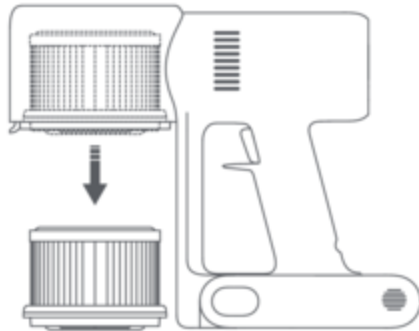


Dust Compartment Release Switch

### Notes:

- It is recommended to clean the filter once every 4 to 6 months.
- It is recommended to replace the filter once every 6–12 months according to the actual using condition of the filter.

2. Remove the filter from the vacuum cleaner by pulling it down in the direction shown in the figure.



4. Allow the filter to thoroughly dry for at least 24 hours.

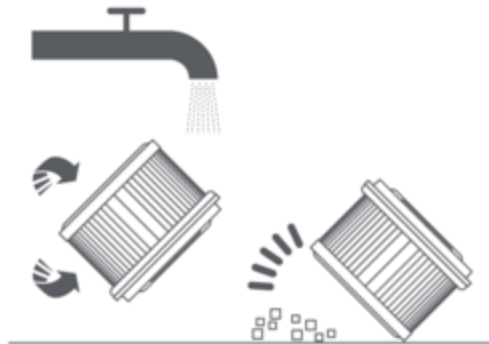


3. Clean the filter with clean water. Make sure you rotate the filter 360° to thoroughly remove all dust caught in the filter. Lightly tap the filter several times to remove any excess dirt.

McGrp.Ru

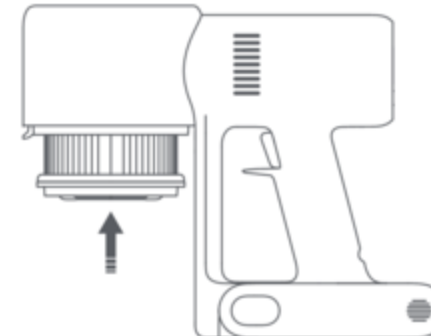
Installing the filter

1. Insert the filter into the vacuum cleaner and gently press down, as illustrated.



Notes:

- Only use clean water to clean the filter. Do not use detergent.
- Do not attempt to clean the filter with a brush or finger.



2. Reinstall the dust compartment.



Insert until it clicks into place

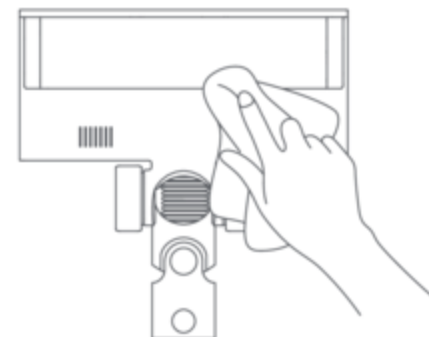
## Cleaning the High Torque Bush Bar

1. Turn the lock counterclockwise until it stops, then remove the roller brush from the high torque brush bar.

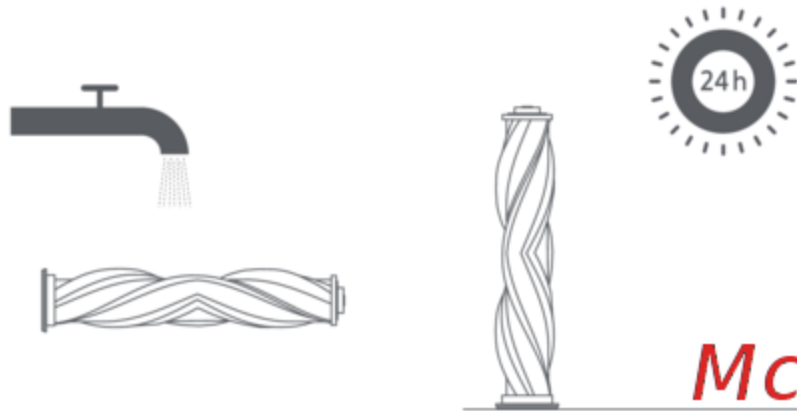


**McGrp.Ru**

2. Use scissors to cut and pick out any hair or other debris tangled around the roller brush. Wipe away excess dust from the slot and clear plastic cover using a dry cloth or paper towel.

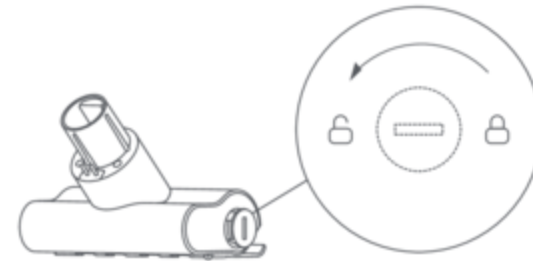


3. After extended use, the roller brush may become dirty and should be washed. After washing, allow the roller brush to dry thoroughly by standing it upright in a well-ventilated area for at least 24 hours.





### Cleaning the Mini Electric Brush

1. Use a proper tool to turn the lock counterclockwise until you hear a click.



*McGrp.Ru*

4. Make sure the roller brush is completely dry, and then align the lock on the top of the roller brush with  to reinsert it. Turn the lock clockwise to  to install the roller brush in place.

2. After unlocking the roller brush, remove it from the mini electric brush, then rinse and clean the roller brush.

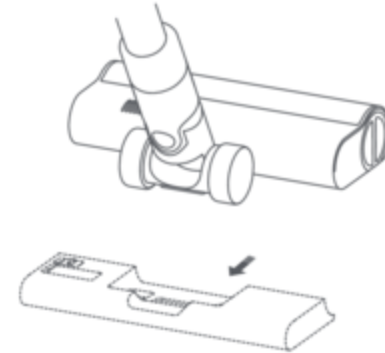


3. After washing, allow the roller brush to dry thoroughly by standing it upright in a well-ventilated area for at least 24 hours.



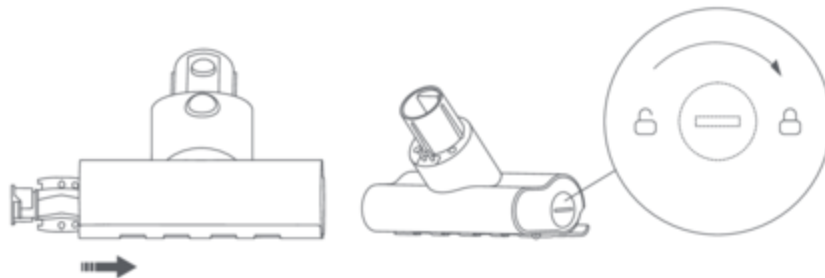
### Cleaning the Water Tank and Mop Pad

1. Slide the water tank down to detach it from the high torque brush bar.

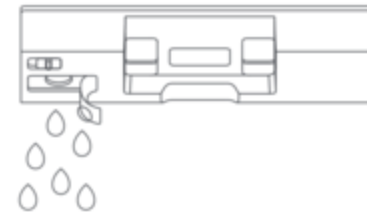


*McGrp.Ru*

4. Once the roller brush is dry, reinstall it by following the disassembly steps in reverse.



2. Empty the water tank.



3. Remove the mop pad from the water tank.



4. Clean and dry the mop pad.



Notes:

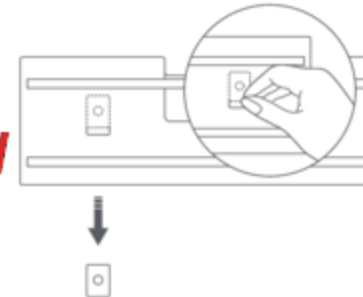
- When the vacuum cleaner is charging or not in use, remove the water tank and drain any remaining water to prevent mildew or lingering odor.
- After mopping, remove the mop pad and clean it to avoid blocking the water outlet with dirty water.
- A worn or damaged mop pad that no longer sticks to the water tank should be replaced to ensure optimal cleaning performance.

## Water Dispenser Filter

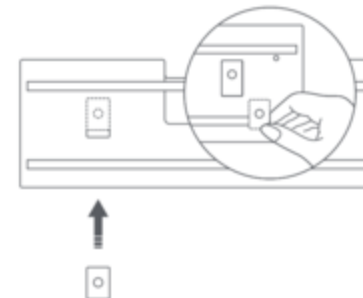
The water dispenser filter should be replaced if the water tank dispenses water too slowly or becomes clogged.

To ensure optimal mopping effectiveness, it is recommended to replace water dispenser filters once every 3 to 6 months depending on water quality and frequency of use.

1. Use your fingers to slide out old water dispenser filters on the left and right sides of each slot.



2. Insert the new water dispenser filters and check to ensure they are installed correctly.



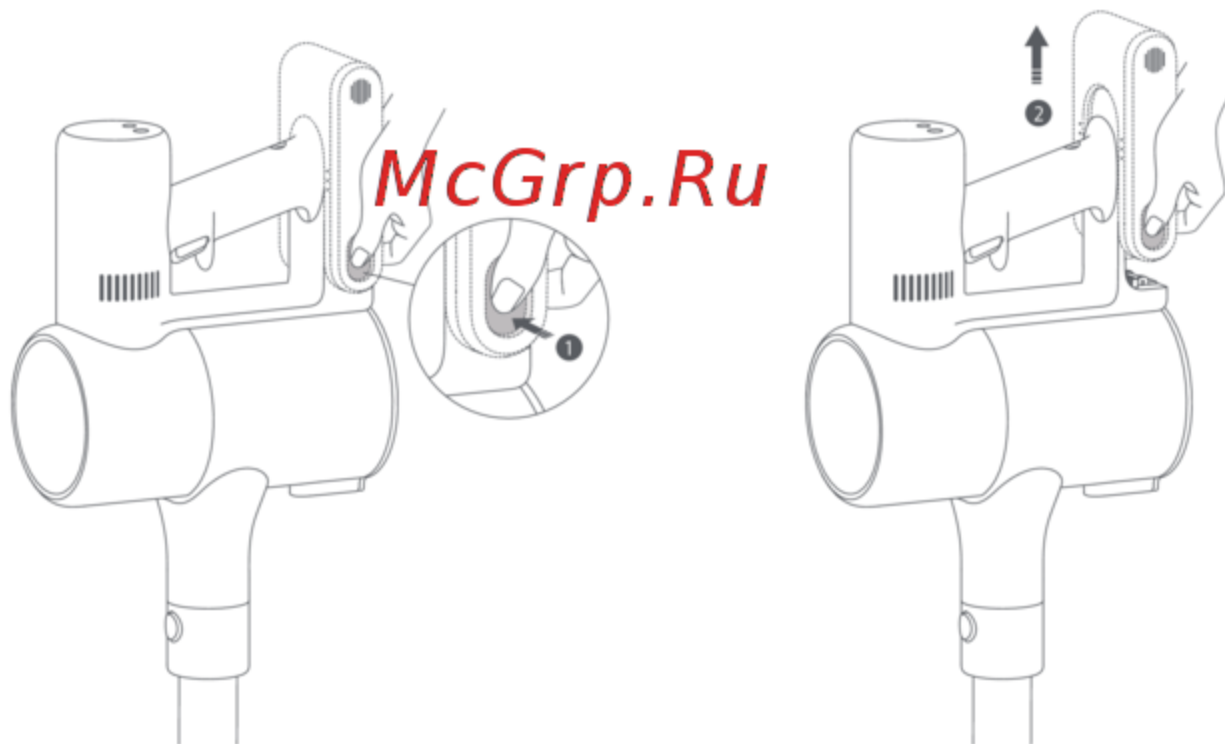
*McGrp.Ru*



## Battery Pack

The vacuum cleaner contains a removable rechargeable lithium-ion battery pack which has a limited number of recharge cycles. After extended use, the battery pack may no longer hold a charge. If this happens, it means the battery pack has reached the end of its life cycle and needs to be replaced.

1. Press down the battery pack release button and slide the battery pack to the right, as illustrated, to remove it.
2. Install the new battery pack.



*McGrp.Ru*

## Specifications

Cordless Vacuum Cleaner			
Model	B207	Rated Voltage	25.2 V ---
Charging Voltage	30.8 V ---	Battery Capacity	3000 mAh (Nominal Capacity) 2800 mAh (Rated Capacity)
Rated Power	425 W	Dust Compartment Capacity	0.6 L
Charging Time	Approx. 4 hours	Net Weight	1.7 kg
Item Dimensions	1286 × 214 × 256 mm	Net Weight (with Accessories)	4.2 kg
High Torque Brush Bar		Mini Electric Brush	
Model	VMH1	Model	VTV104B
Rated Power	40 W	Rated Power	20 W
Rated Voltage	25.2 V ---	Rated Voltage	25.2 V ---
Charger			
Manufactured by	Zhongshan Baolijin Electronic Co., Ltd.	Average Active Efficiency	87.5%
Model	BLJ24W308080P-V	Efficiency at Low Load (10%)	77.9%
Input	100–240 V ~ 50/60 Hz 0.8 A	No-load Power Consumption	0.10 W
Output	30.8 V --- 0.8 A		
Rechargeable Lithium-ion Battery Pack			
Model	V2210-7S1P-BCA/V2210-7S1P-BWA	Nominal Capacity	3000 mAh
Nominal Voltage	25.2 V ---	Rated Capacity	2800 mAh
Energy	70.56 Wh		

## Regulatory Compliance Information

---

### EU Declaration of Conformity



We, Dreame (Tianjin) Information Technology Co., Ltd., hereby declare that this equipment is in compliance with the applicable Directives and European Norms, and amendments. The full text of the EU declaration of conformity is available at the following internet address:  
<http://www.mi.com/global/service/support/declaration.html>  
For detailed e-manual, please go to [www.mi.com/global/service/userguide](http://www.mi.com/global/service/userguide)

### WEEE Information



All products bearing this symbol are waste electrical and electronic equipment (WEEE as in directive 2012/19/EU) which should not be mixed with unsorted household waste. Instead, you should protect human health and the environment by handing over your waste equipment to a designated collection point for the recycling of waste electrical and electronic equipment, appointed by the government or local authorities. Correct disposal and recycling will help prevent potential negative consequences to the environment and human health. Please contact the installer or local authorities for more information about the location as well as terms and conditions of such collection points.

### Battery Safety Precautions

*McGrp.Ru*

- The lithium-ion battery pack contains substances that are hazardous to the environment. Before disposing of the vacuum cleaner, please first remove the battery pack, then discard, or recycle it in accordance with local laws and regulations of the country or region it is used in.
- Under abusive conditions, liquid may be ejected from the battery. Avoid contact with liquid, as it may cause irritation or burns. If contact occurs, flush with water. If liquid contacts eyes, seek medical help.

## Troubleshooting

Issue	Possible Cause	Solution
The vacuum cleaner does not work.	It is out of battery or has low battery.	Fully charge the vacuum cleaner, then resume use.
	It enters into overheat protection mode triggered by a blockage.	Clear any blockages and restart the vacuum cleaner when it cools down.
	Its suction opening or airway passage is blocked.	Clear any blockages from suction opening or airway passage.
The suction power reduces.	The dust compartment is full and/or the filter is clogged.	Empty the dust compartment and clean the filter.
	The high torque brush bar, the extension rod, or other parts are blocked.	Clear any blockages from the high torque brush bar, the extension rod, or other parts.
The motor makes a strange noise.	The main suction opening or the extension rod is blocked.	Clear any blockages in the main suction opening or the extension rod.
The first indicator is red after turning on the vacuum cleaner.	Battery pack is damaged.	Please contact after-sales service to arrange maintenance.
The first indicator blinks red when charging the vacuum cleaner.	The charger is incompatible.	Only use the original charger to charge the vacuum cleaner.
The battery indicator does not light up while charging.	The charger is not connected to the vacuum cleaner.	Make sure the charger is plugged in correctly.
	The battery is fully charged and went into sleep mode.	The vacuum cleaner can be used normally.
	If the problem still persists after ruling out the above two possibilities, please contact after-sales service for help.	
The battery charges slowly.	The battery temperature is too low or too high.	Wait until the battery temperature normalizes, then resume use.
The water tank does not dispense water, or dispenses water slowly.	The water dispenser filter is clogged.	Clean or replace the water dispenser filter.
	The mop pad is dirty.	Clean or replace the mop pad.

## Error Icon

If the vacuum cleaner is not working properly, the screen display will show an error message. Please refer to the table below to find your solution based on the error message.

Error Icon	Error Message	Solution
	Airway Blocked	Check if any blockages caught in the dust compartment, extension rod, and/or high torque brush bar.
	Roller Brush Stuck	Refer to "Cleaning the High Torque Brush Bar" in the Care & Maintenance section for directions on how to remove hair and other debris caught in the roller brush.
	High-temperature Alert	Wait until the battery temperature normalizes before resuming use.
	Filter Not Installed	Ensure that the filter and pre-filter are installed correctly.

If one of the error codes from E0 to E4 appears on the display, please contact the after-sales service team for repair.

## Istruzioni di sicurezza

---

Questo prodotto è destinato esclusivamente all'utilizzo domestico. Leggere attentamente il presente manuale prima dell'uso del dispositivo e conservarlo per ogni riferimento futuro.

L'apparecchio può essere utilizzato da bambini di età superiore a 8 anni e da persone con capacità fisiche, sensoriali o mentali ridotte oppure da persone prive di esperienza o conoscenza dell'apparecchio, purché siano sorvegliate o siano state istruite sull'uso sicuro dell'apparecchio e comprendano i rischi che ne possono derivare. Non consentire ai bambini di giocare con l'apparecchio. Le operazioni di pulizia e manutenzione non devono essere effettuate da bambini, a meno che non siano sorvegliati.

Non usare il prodotto a una temperatura ambiente inferiore a 5 °C o superiore a 38 °C, né su pavimenti su cui sono sparsi liquidi o sostanze appiccicose.

Se il caricabatterie o la batteria vengono danneggiati, è necessario sostituirli con un cavo speciale o un componente fornito dal produttore o da un suo addetto all'assistenza.

Per ridurre il rischio di incendio, esplosione o lesioni personali, verificare che la batteria agli ioni di litio e il caricabatterie non siano danneggiati prima dell'uso. Non utilizzare l'aspirapolvere se la batteria o il caricabatterie sono danneggiati.

Utilizzare l'aspirapolvere solo su superfici interne asciutte. Non installare, caricare o utilizzare questo prodotto all'aperto, ad esempio in stanze da bagno o vicino a una piscina.

Non toccare la spina o qualsiasi parte dell'aspirapolvere con le mani bagnate.

La barra della spazzola a coppia elevata, la mini spazzola elettrica, la batteria, l'asta di prolunga e l'aspirapolvere conducono elettricità e non devono essere immersi in acqua o altri liquidi. Assicurarsi che tutte le parti siano completamente asciutte dopo averle pulite.

Per evitare lesioni causate da parti in movimento, spegnere l'aspirapolvere prima di pulire la barra della spazzola a coppia elevata e la mini spazzola elettrica. Prima di utilizzare l'aspirapolvere, è necessario installare correttamente la barra della spazzola a coppia elevata, il vano polvere e il filtro.

Non utilizzare l'aspirapolvere per raccogliere liquidi infiammabili o combustibili, ad esempio benzina, candeggina, ammoniaca, prodotti per la pulizia degli scarichi o altri liquidi come acqua.

Non utilizzare l'aspirapolvere per raccogliere parti di muro, cenere come la cenere del camino o materiali incandescenti come

carbone, mozziconi di sigaretta o fiammiferi.

Non utilizzare l'aspirapolvere per raccogliere oggetti duri o taglienti, ad esempio vetro, chiodi, viti o monete, che potrebbero danneggiarlo.

Assicurarsi di tenere capelli, abiti larghi, dita e altre parti del corpo lontano dalle bocchette e dalle parti in movimento dell'aspirapolvere. Non puntare la bocchetta di aspirazione, l'asta di prolunga o altri accessori verso gli occhi o le orecchie, né metterli in bocca.

Non inserire oggetti nelle bocchette dell'aspirapolvere, né utilizzare l'aspirapolvere con le bocchette ostruite. Rimuovere polvere, lanugine, capelli o altri elementi che potrebbero ridurre il flusso dell'aria.

Non appoggiare l'aspirapolvere contro una sedia, un tavolo o altre superfici instabili per evitare il rischio di danni al prodotto o lesioni personali. Se l'aspirapolvere non funziona correttamente a causa di un urto o un danneggiamento, contattare il nostro reparto di assistenza autorizzato. Non tentare mai di smontare autonomamente l'aspirapolvere.

Prima di utilizzare l'aspirapolvere, è necessario installare correttamente il coperchio del vano polvere, il pre-filtro, il sistema ciclonico e il filtro.

Assicurarsi che il caricabatterie sia scollegato dalla corrente quando non viene utilizzato per lunghi periodi di tempo e prima di eseguire interventi di manutenzione o riparazioni.

Prestare la massima attenzione quando si utilizza l'aspirapolvere per pulire scale.

Pericolo di incendio: non applicare alcun tipo di profumo sul filtro dell'aspirapolvere. In genere, questa tipologia di prodotti contiene sostanze chimiche infiammabili, che rischiano di far incendiare l'aspirapolvere.

NON esporre la batteria e l'apparecchio al fuoco poiché ciò potrebbe causare esplosioni.

NON esporre o immergere la batteria e l'apparecchio in acqua, acqua salata o altri liquidi.

AVVERTENZA: non utilizzare batterie o caricatori non originali.

Utilizzare solo con il caricabatterie BLJ24W308080P-V.

Utilizzare solo con la batteria V2210-7S1P-BCA/V2210-7S1P-BWA.

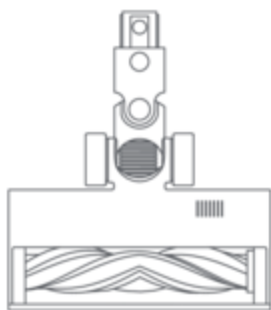
Utilizzare il prodotto seguendo le istruzioni fornite nel manuale utente. Gli utilizzatori sono responsabili di eventuali perdite o danni derivanti dall'uso improprio dell'apparecchio.

## Panoramica del prodotto

### Elenco accessori



Asta di prolunga



Barra della spazzola a coppia elevata



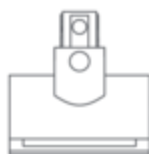
Ugello per fessure



Batteria



Supporto di ricarica e appoggio 2 in 1  
(con 2 viti, 2 tasselli e adesivo del modello di montaggio)



Mini spazzola elettrica



Ugello a spazzola 2 in 1



Serbatoio dell'acqua



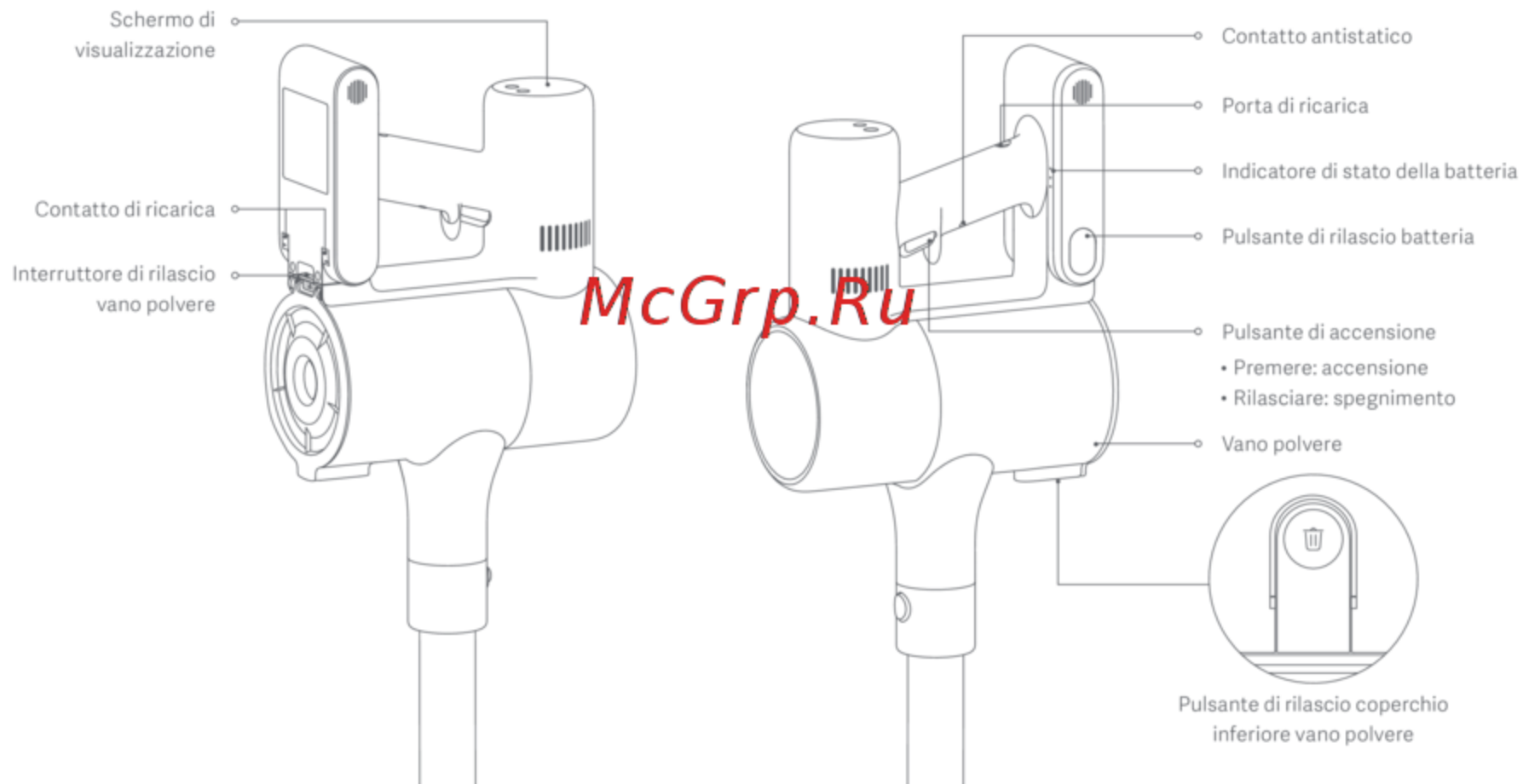
Panno lavapavimenti  
(preinstallati)

**McGrp.Ru**

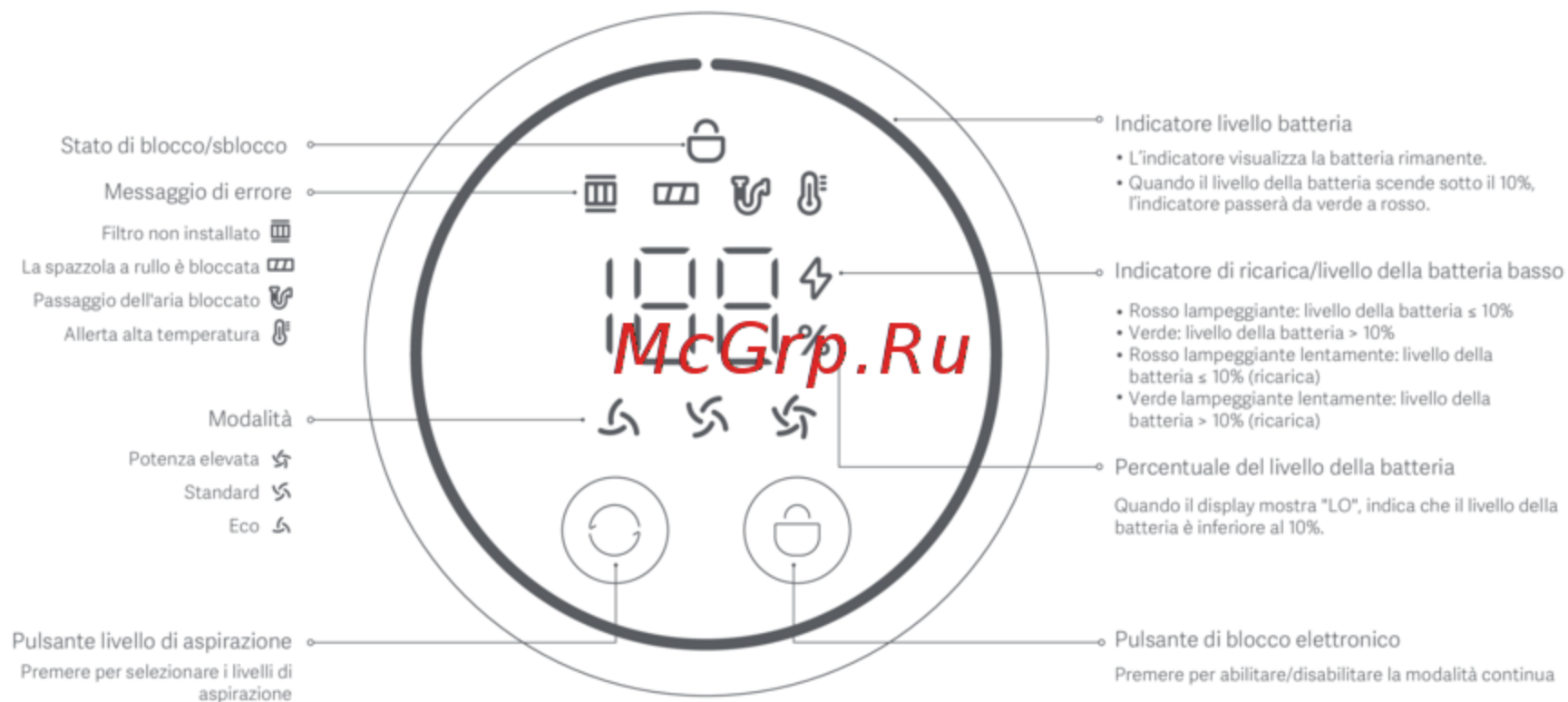
Nota: le illustrazioni del prodotto, degli accessori e dell'interfaccia utente nel manuale utente sono solo a scopo di riferimento. Il prodotto e le funzioni effettive potrebbero variare a causa di miglioramenti del prodotto.



Nome componente




## Schermo di visualizzazione

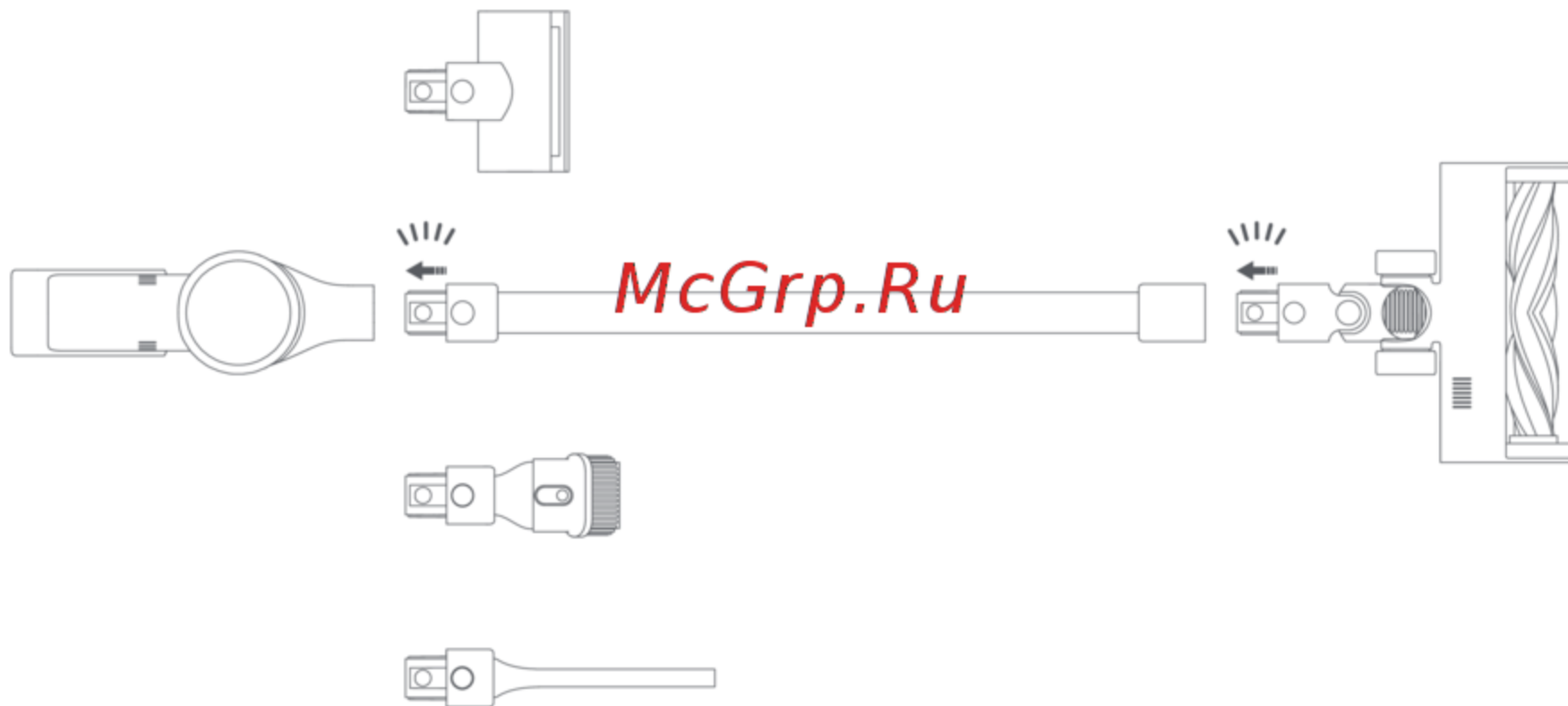


Nota: se l'aspirapolvere non funziona correttamente, lo schermo di visualizzazione mostra un messaggio di errore. Per trovare una soluzione, consultare la sezione Risoluzione dei problemi.

## Installazione

### Installazione degli accessori nell'aspirapolvere

 Inserire fino a udire un clic che indica il posizionamento corretto

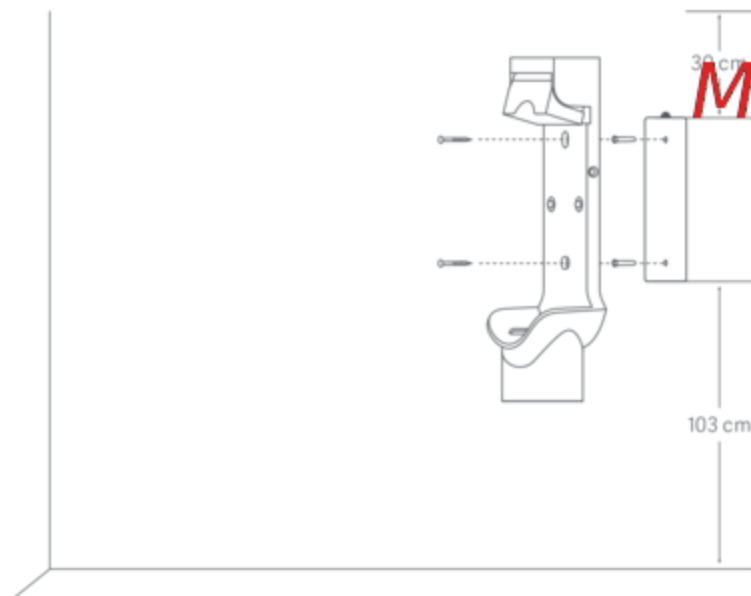


Nota: la mini spazzola elettrica non deve essere utilizzata con l'asta di prolunga.

<https://mcgrp.ru/>

## Installazione del supporto di ricarica e appoggio 2 in 1

1. Il supporto di ricarica e appoggio 2 in 1 deve essere installato in un luogo fresco e asciutto con una presa elettrica nelle vicinanze. Prima di installarlo, assicurarsi che non siano presenti fili o tubi nello spazio di installazione direttamente dietro al supporto.
2. La parte inferiore dell'adesivo del modello di montaggio deve essere piana e distante almeno 1,03 m da terra, mentre la parte superiore deve avere almeno 30 cm di spazio libero sopra di essa.
3. Utilizzare un trapano elettrico con una punta da 8 mm per praticare un foro su ciascun marcatore di foro sull'adesivo del modello di montaggio, quindi inserire un tassello in ciascun foro.
4. Allineare i fori di montaggio sul supporto di ricarica e appoggio 2 in 1 ai fori sulla parete, quindi fissare il supporto alla parete utilizzando le viti in dotazione.



Altezza consigliata: almeno 1,03 metri da terra



## Ricarica

### Indicatore di stato della batteria

Nota: ○ significa spento, ● significa acceso e ●-○ significa lampeggiante.

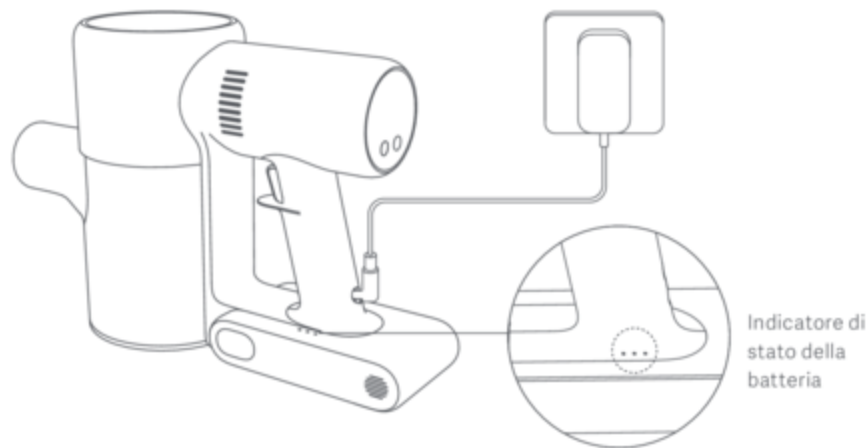
- |         |                  |         |                     |
|---------|------------------|---------|---------------------|
| ●-○ ○ ○ | Batteria scarica | ● ● ●-○ | Quasi carica        |
| ● ●-○ ○ | Batteria a metà  | ● ● ● ● | Ricarica completata |

Quando l'aspirapolvere è completamente carico, l'indicatore si spegne dopo 5 minuti e viene attivata la modalità di risparmio energetico.

### Schermo di visualizzazione

Il numero sullo schermo di visualizzazione indica il livello corrente della batteria in percentuale durante la ricarica. Quando il numero diventa 100, la batteria è completamente carica.

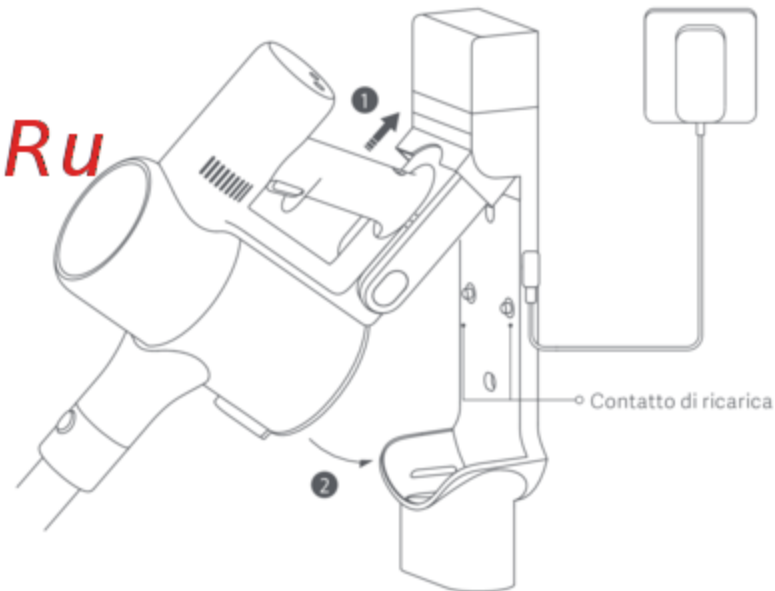
Quando l'aspirapolvere è in carica, è possibile premere il pulsante di accensione per riattivare il display e controllare la percentuale di carica attuale.



Ricarica dell'aspirapolvere con il caricabatterie

### Note:

- Caricare completamente l'aspirapolvere prima di utilizzarlo per la prima volta. L'operazione richiede circa 4 ore.
- Non è possibile utilizzare l'aspirapolvere mentre viene ricaricato.
- L'aspirazione al massimo livello per un periodo prolungato causa il riscaldamento della batteria, il che può aumentare il tempo di ricarica. Prima di ricaricare l'aspirapolvere, si consiglia di lasciarlo raffreddare per 30 minuti.



Ricarica dell'aspirapolvere sul supporto di ricarica

## Modalità d'utilizzo

### Impostazione dei livelli di aspirazione

Premere il pulsante  per scorrere i livelli di aspirazione dell'aspirapolvere: Eco, Standard e Turbo. L'indicatore del livello di aspirazione corrispondente viene evidenziato sullo schermo.

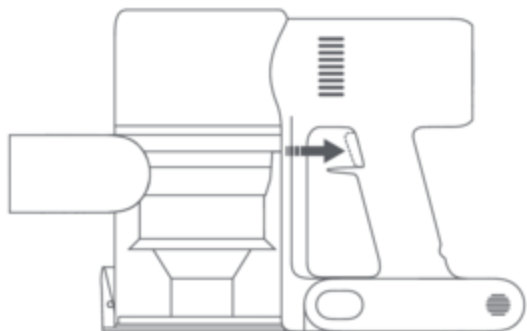
Nota: dopo aver spento e riacceso l'aspirapolvere, il livello di aspirazione sarà l'ultimo utilizzato.

### Modalità di funzionamento

L'aspirapolvere include due modalità di funzionamento. È possibile selezionare quella desiderata in base alle proprie esigenze di pulizia.

- Modalità non continua

Tenere premuto il pulsante di accensione per avviare l'aspirapolvere, quindi rilasciarlo per arrestarlo.

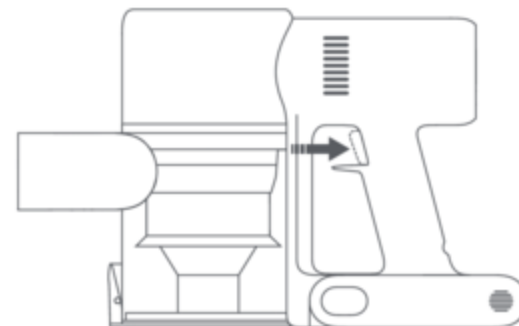


Modalità non continua

- Modalità continua

Premere il pulsante  per attivare la modalità continua, quindi premere il pulsante di accensione per attivare l'aspirapolvere. Per uscire dalla modalità continua, premere il pulsante .

L'attivazione della modalità continua consente di far funzionare l'aspirapolvere in modo continuo senza dover tenere premuto il pulsante di accensione, ovvero consente di rilasciare le dita.



Modalità continua

Note:

- In modalità continua, l'aspirapolvere entra in modalità standby quando si preme il pulsante di accensione e riprende a funzionare se si preme nuovamente tale pulsante.
- Se l'aspirapolvere rimane in modalità standby per più di 10 secondi, lo schermo di visualizzazione si spegne e l'aspirapolvere esce dalla modalità continua.

## Uso degli accessori

Barra della spazzola a coppia elevata: per pulire diversi tipi di pavimenti come parquet, marmo, piastrelle e moquette.

Nota: la barra della spazzola a coppia elevata può essere collegata direttamente all'aspirapolvere.



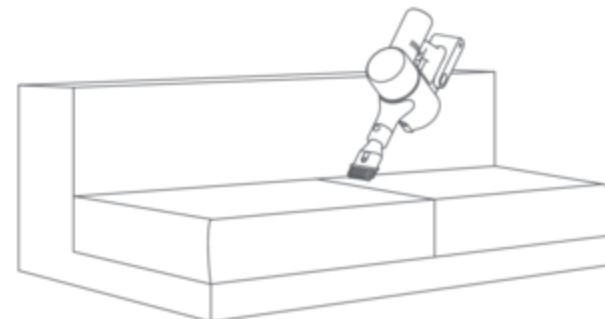
Mini spazzola elettrica: per aspirare sporco, peli di animali domestici e altri residui ostinati da divani, biancheria da letto e altre superfici in tessuto.



Ugello per fessure: per aspirare fessure e zone strette intorno a porte, finestre, battiscopa, angoli, scale e così via.



Ugello a spazzola 2 in 1: per aspirare tende, divani, interni di veicoli, tavolini da caffè e così via.



### Note:

- Se una delle parti rotanti si blocca, l'aspirapolvere potrebbe spegnersi automaticamente. Eliminare eventuali corpi estranei intrappolati, quindi riprendere l'uso.
- Quando scatta la protezione dall'alta temperatura per la batteria, l'aspirapolvere smetterà automaticamente di funzionare. Attendere che la temperatura della batteria torni alla normalità, quindi riprendere l'utilizzo.

## Utilizzo della funzione lavapavimenti

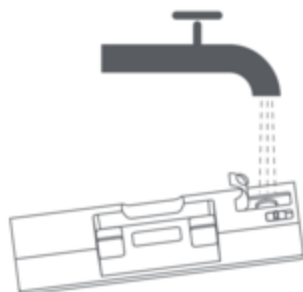
### Note:

- Non calpestare il serbatoio dell'acqua per evitare di danneggiarlo in modo permanente.
- Per ottenere risultati ottimali, i pavimenti molto sporchi devono essere puliti con l'aspirapolvere prima del lavaggio.
- Non utilizzare la funzione lavapavimenti sulla moquette.
- Non utilizzare detersivi o disinfettanti.

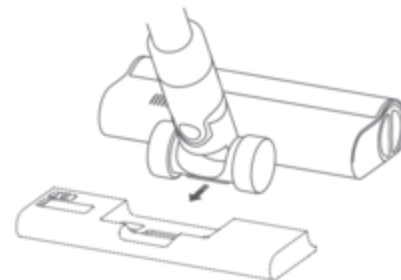
1. Inumidire il panno lavapavimenti e strizzare l'acqua in eccesso, quindi fissarlo saldamente al fondo del serbatoio dell'acqua.



2. Aprire il tappo del serbatoio dell'acqua, aggiungere una quantità d'acqua pulita adeguata, quindi chiudere il tappo.



3. Fissare la barra della spazzola a coppia elevata al serbatoio dell'acqua allineando i magneti su ciascun componente finché non si agganciano.



4. Questa funzione è progettata per aspirare e pulire pavimenti in legno duro e lastre.



OFF (SPENTO) → ON (ACCESO)

### Note:

- La valvola a sfera nel serbatoio dell'acqua controlla la quantità d'acqua erogata. La sfera è una parte in movimento e può emettere un suono di rotolamento quando si avvia e si ferma. È normale.
- Quando l'aspirapolvere non viene utilizzato, spostare l'interruttore in posizione OFF (SPENTO).



## Cura e manutenzione

### Precauzioni di manutenzione

- Utilizzare sempre parti originali per evitare che la garanzia decada.
- Se il filtro, l'asta di prolunga o la barra della spazzola a coppia elevata si intasano, l'aspirapolvere smette di funzionare in breve tempo. Per ripristinare la relativa funzionalità, pulire il componente intasato.
- Se l'aspirapolvere non viene utilizzato per un lungo periodo, ricaricarlo completamente, scollegarlo dalla presa di corrente, quindi conservarlo in un ambiente fresco e a bassa umidità, lontano dalla luce diretta del sole. Per evitare di scaricare eccessivamente la batteria, ricaricare l'aspirapolvere almeno una volta ogni tre mesi.

### Pulizia dell'aspirapolvere

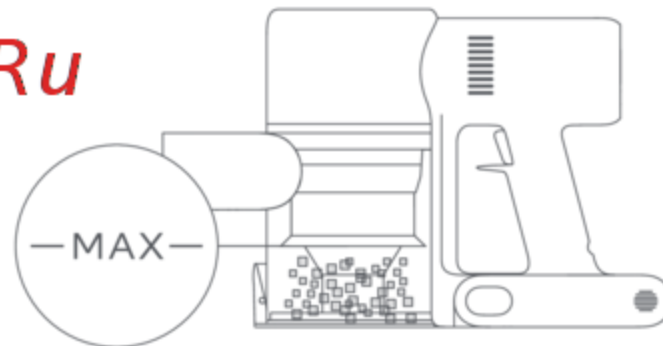
Pulire l'aspirapolvere con un panno morbido e asciutto.



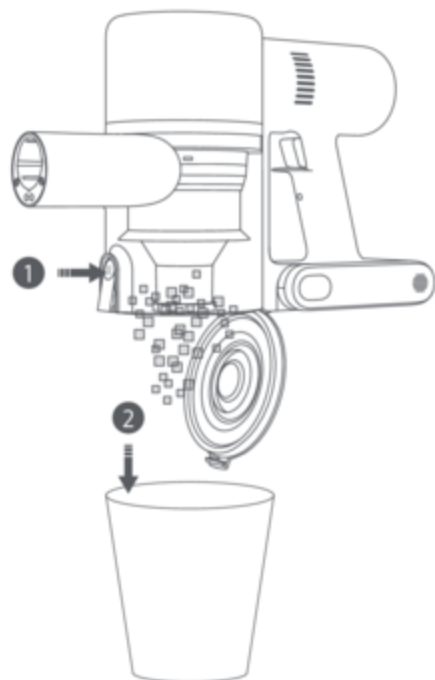
### Pulizia del vano polvere, del pre-filtro e del sistema ciclonico

1. La capacità di pulizia dell'aspirapolvere si riduce se il vano polvere si riempie fino al segno "MAX". Per ripristinare le prestazioni, svuotare il vano polvere tempestivamente. Prima di svuotare il vano, assicurarsi che l'aspirapolvere sia disconnesso dalla presa di corrente e non premere il pulsante di accensione.

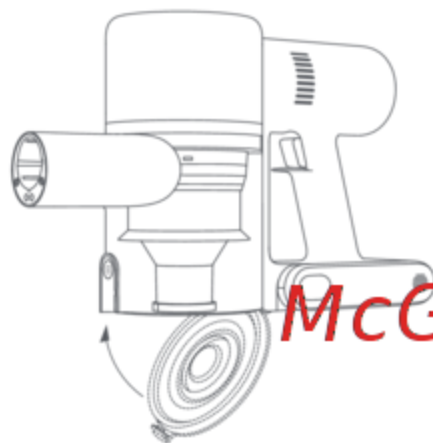
*McGrp.Ru*



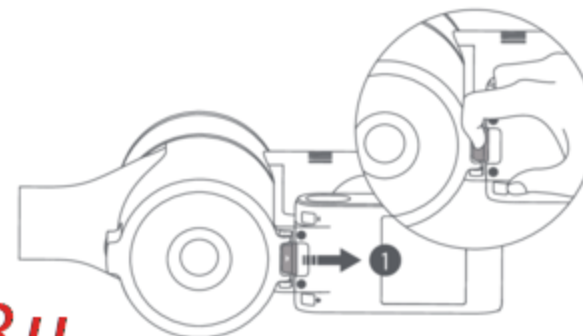
2. Premere il pulsante di rilascio del coperchio inferiore del vano polvere, quindi svuotare il contenuto.



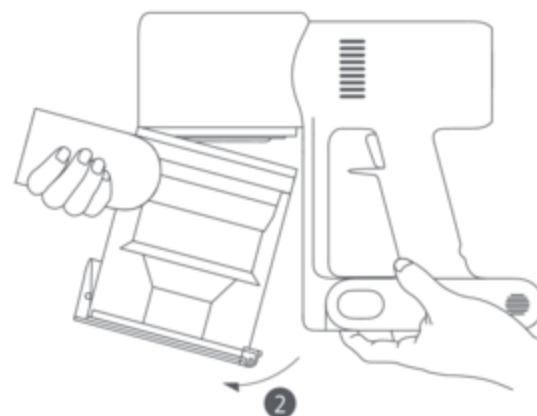
3. Tira del botón de liberación del compartimento para el polvo en la dirección ilustrada en la imagen 1 y, a continuación, extraiga el compartimento para el polvo del aspirador como se ilustra en la imagen 2.



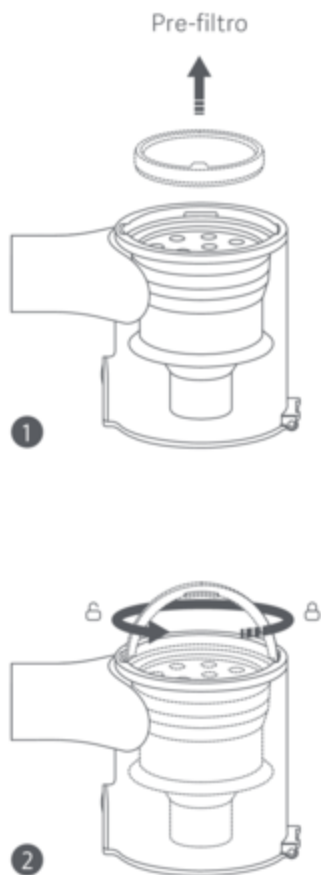
*McGrp.Ru*



Interruttore di rilascio vano polvere



4. Rimuovere prima il pre-filtro, quindi sollevare l'impugnatura del sistema ciclonico e ruotarla in senso antiorario fino all'arresto, quindi tirare per sollevare il sistema ciclonico.



5. Sciacquare il pre-filtro, il sistema ciclonico e il vano polvere con acqua finché non risultano puliti, quindi mettere da parte ciascun componente per almeno 24 ore per farlo asciugare completamente.



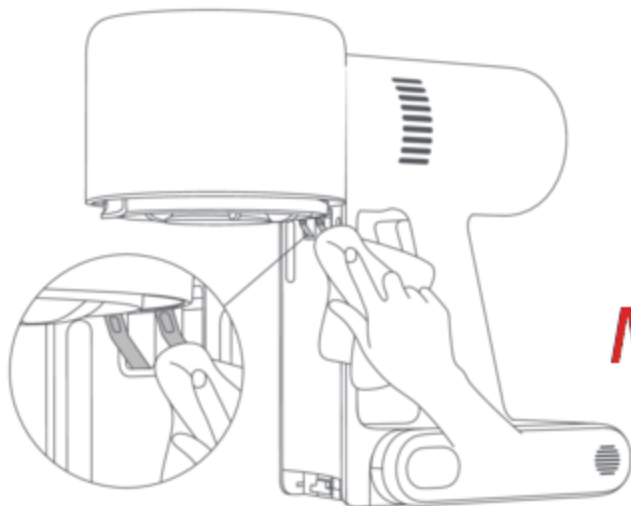
*McGrp.Ru*



Note:

- Il vano polvere deve essere risciacquato almeno una volta al mese.
- Il pre-filtro e il sistema ciclonico devono essere puliti una volta ogni 3-4 mesi.

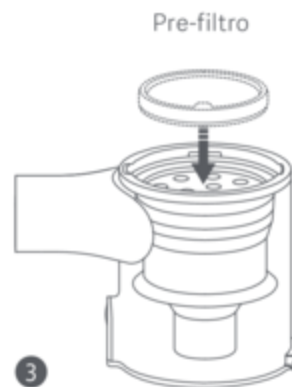
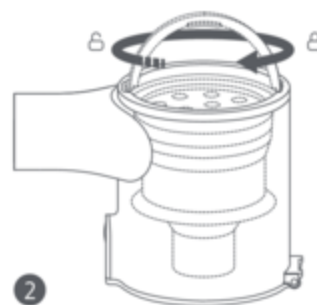
6. Se i punti di contatto dell'aspirapolvere sono sporchi, pulirli con un panno morbido asciutto.



### Installazione del vano polvere, del pre-filtro e del sistema ciclonico

1. Inserire il sistema ciclonico verticalmente nel vano polvere assicurandosi che l'impugnatura del sistema ciclonico sia allineata alla fessura sul lato sinistro del vano polvere. Ruotare l'impugnatura in senso orario finché non si blocca, quindi tirarla verso il basso.
2. Posizionare il pre-filtro con il lato anteriore rivolto verso il sistema ciclonico.

*McGrp.Ru*



#### Note:

- Per pulire il vano polvere, non utilizzare detersivi, lucidanti o deodoranti per ambienti.
- Non pulire il vano polvere, il pre-filtro o il sistema ciclonico in lavastoviglie o lavatrice, né tentare di asciugare qualsiasi componente in un'asciugatrice, un forno, un forno a microonde o vicino a fiamme vive.

3. Inclinare leggermente il vano polvere in modo che il relativo alloggiamento risulti allineato al fermo dell'aspirapolvere. Quindi premere delicatamente il vano polvere finché non scatta in posizione.



Inserire fino a udire un clic che indica il posizionamento corretto

### Pulizia del filtro

1. Rimuovere il vano polvere come mostrato nella figura.

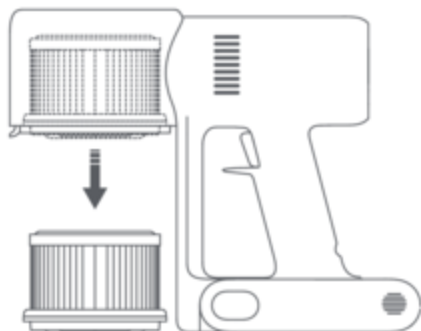


Interruttore di rilascio vano polvere

#### Note:

- Si consiglia di pulire il filtro una volta ogni 4-6 mesi.
- Si consiglia di sostituire il filtro ogni 6-12 mesi, in base alle effettive condizioni di utilizzo del filtro.

2. Rimuovere il filtro dall'aspirapolvere tirandolo verso il basso nella direzione mostrata nella figura.



4. Lasciare asciugare completamente il filtro per almeno 24 ore.



3. Pulire il filtro con acqua pulita. Assicurarsi di ruotare il filtro di 360° e rimuovere accuratamente tutta la polvere intrappolata nel filtro. Picchiettare leggermente il filtro più volte per rimuovere lo sporco in eccesso.

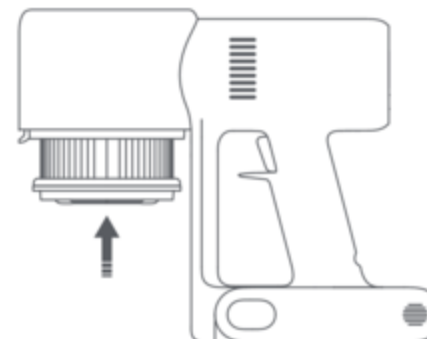
**McGrp.Ru** Installazione del filtro

1. Inserire il filtro nell'aspirapolvere, quindi premere delicatamente verso il basso, come illustrato.



Note:

- Per pulire il filtro, utilizzare esclusivamente acqua pulita. Non utilizzare detersivi.
- Non tentare di pulire il filtro con una spazzola o con le dita.



2. Reinstallare il vano polvere.



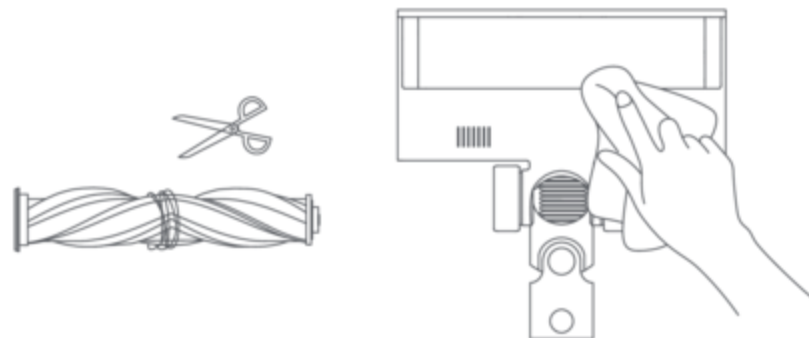
Inserire fino a udire un clic che indica il posizionamento corretto

Pulizia della barra della spazzola a coppia elevata

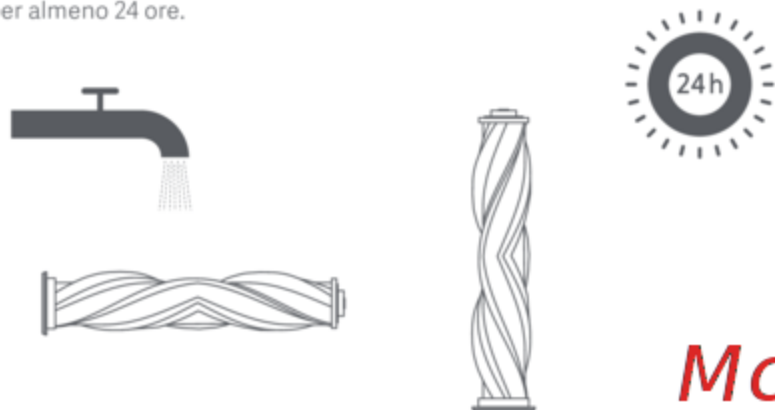
1. Ruotare il blocco in senso antiorario fino all'arresto, quindi rimuovere la spazzola a rullo dalla barra della spazzola a coppia elevata.



2. Utilizzare delle forbici per tagliare ed estrarre capelli o altri detriti aggrovigliati intorno alla spazzola a rullo. Rimuovere la polvere in eccesso dall'alloggiamento e dal coperchio in plastica trasparente con un panno asciutto o un tovagliolo di carta.

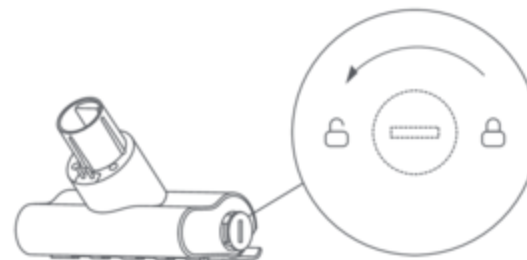


3. Dopo un uso prolungato, la spazzola a rullo può diventare molto sporca e deve essere lavata. Dopo il lavaggio, lasciare asciugare completamente la spazzola a rullo mantenendola in posizione verticale in un'area ben ventilata per almeno 24 ore.





### Pulizia della mini spazzola elettrica

1. Usare uno strumento adeguato per ruotare il blocco in senso antiorario finché non si sente un clic.



**McGrp.Ru**

4. Assicurarsi che la spazzola a rullo sia completamente asciutta, quindi allineare il blocco sulla parte superiore della spazzola a rullo con  per reinserirla. Ruotare il blocco in senso orario su  per installare la spazzola a rullo in posizione.

2. Dopo aver sbloccato la spazzola a rullo, rimuoverla dalla mini spazzola elettrica, quindi sciacquare e pulire la spazzola a rullo.



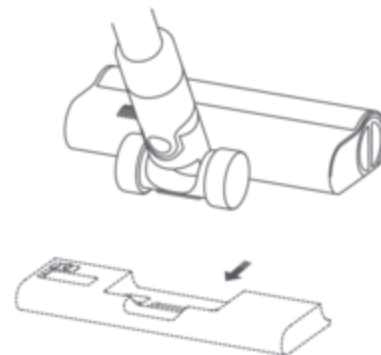


3. Dopo il lavaggio, lasciare asciugare completamente la spazzola a rullo mantenendola in posizione verticale in un'area ben ventilata per almeno 24 ore.



### Pulizia del serbatoio dell'acqua e del panno lavapavimenti

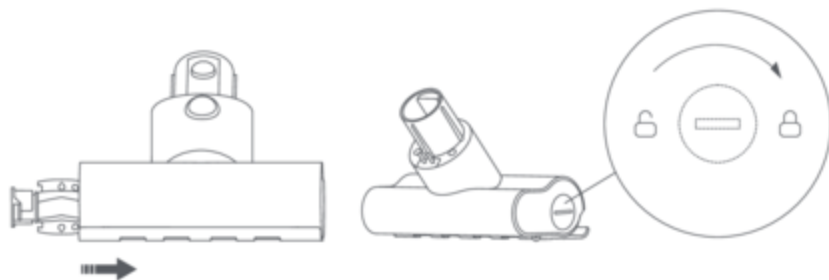
1. Far scorrere il serbatoio dell'acqua verso il basso per staccarlo dalla barra della spazzola a coppia elevata.



**McGrp.Ru**

4. Quando è asciutta, reinstallare la spazzola a rullo seguendo a ritroso le istruzioni fornite per lo smontaggio.

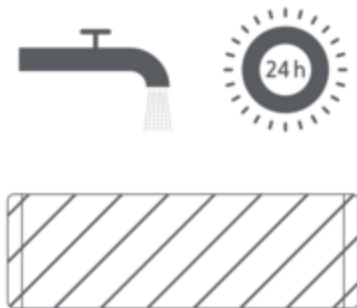
2. Svuotare il serbatoio dell'acqua.



3. Rimuovere il panno lavapavimenti dal serbatoio dell'acqua.



4. Pulire e far asciugare il panno lavapavimenti.



Note:

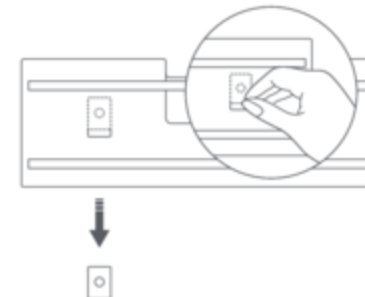
- Quando l'aspirapolvere è in carica o non è in uso, rimuovere il serbatoio dell'acqua e scaricare l'acqua residua per evitare la formazione di muffa o di odori persistenti.
- Dopo il lavaggio, rimuovere il panno lavapavimenti e pulirlo per evitare di bloccare l'uscita dell'acqua con acqua sporca.
- Se il panno lavapavimenti è consumato o danneggiato e non si attacca più al serbatoio dell'acqua, è necessario sostituirlo per garantire prestazioni di pulizia ottimali.

## Filtri dell'erogatore d'acqua

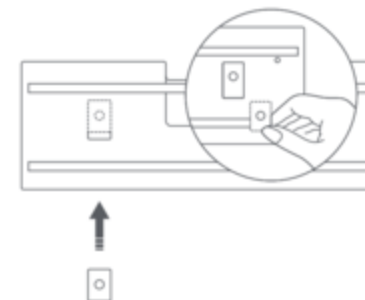
Se il serbatoio dell'acqua eroga l'acqua troppo lentamente o si intasa, è necessario sostituire i filtri dell'erogatore d'acqua.

Per garantire un'efficacia di lavaggio ottimale, si consiglia di sostituire i filtri dell'erogatore d'acqua una volta ogni 3-6 mesi in base alla qualità dell'acqua e alla frequenza d'uso.

1. Utilizzare le dita per estrarre i vecchi filtri dell'erogatore d'acqua sui lati sinistro e destro di ciascun alloggiamento.



2. Inserire i nuovi filtri dell'erogatore d'acqua, quindi verificare che siano installati correttamente.

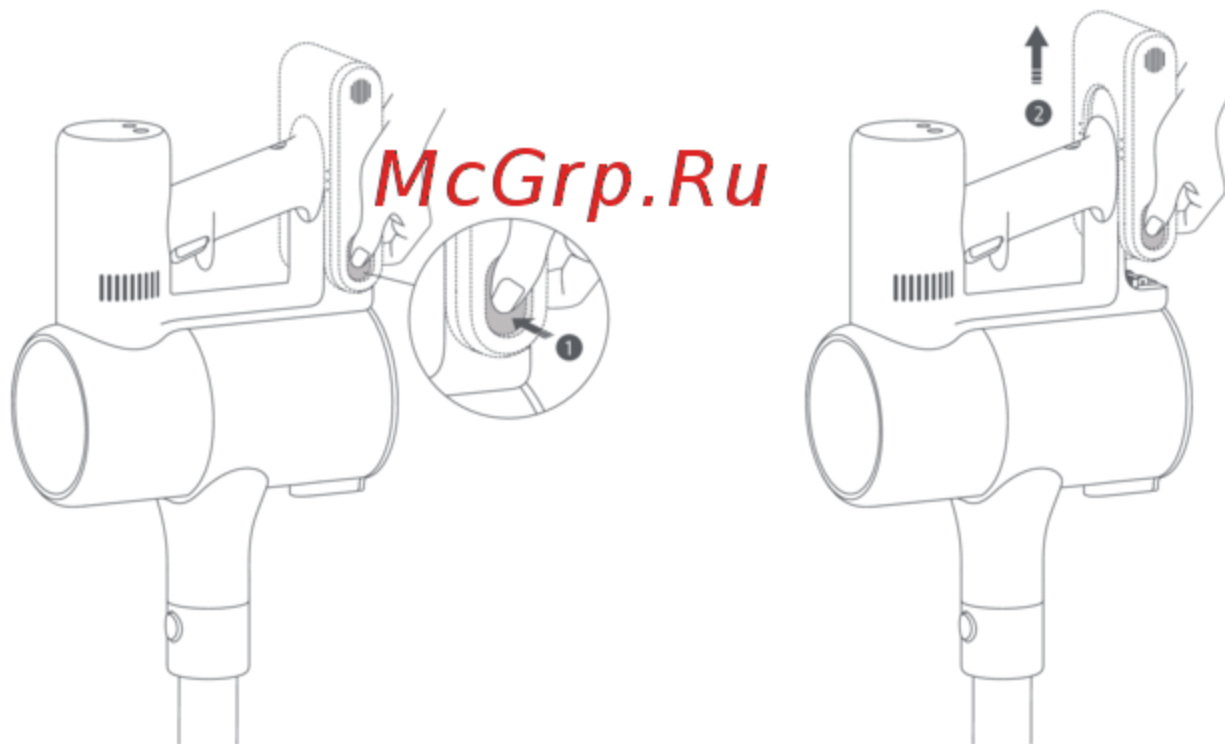


*McGrp.Ru*

## Batteria

L'aspirapolvere contiene una batteria ricaricabile agli ioni di litio rimovibile che dispone di un numero limitato di cicli di ricarica. Dopo un uso prolungato, la batteria potrebbe non mantenere più la carica. Se ciò si verifica, la batteria ha raggiunto la fine del ciclo di vita e deve essere sostituita.

1. Premere il pulsante di rilascio della batteria e farla scorrere verso destra per rimuoverla.
2. Installare la nuova batteria.



## Specifiche tecniche

Aspirapolvere senza fili			
Modello	B207	Tensione nominale	25,2 V ---
Tensione di ricarica	30,8 V ---	Capacità della batteria	3000 mAh (Capacità nominale) 2800 mAh (Capacità effettiva)
Potenza nominale	425 W	Capacità del vano polvere	0,6 L
Tempo di ricarica	Circa 4 ore	Peso netto	1,7 kg
Dimensioni articolo	1286 × 214 × 256 mm	Peso netto (con Accessori)	4,2 kg
Barra della spazzola a coppia elevata		Mini spazzola elettrica	
Modello	VMH1	Modello	VTV104B
Potenza nominale	40 W	Potenza nominale	20 W
Tensione nominale	25,2 V ---	Tensione nominale	25,2 V ---
Caricabatterie			
Fabbricato da	Zhongshan Baolijin Electronic Co., Ltd.	Efficienza attiva media	87,5%
Modello	BLJ24W308080P-V	Efficienza a basso carico (10%)	77,9%
Potenza in ingresso	100-240 V ~ 50/60 Hz 0,8 A	Consumo di energia a vuoto	0,10 W
Potenza in uscita	30,8 V --- 0,8 A		
Bateria de Iões de Lítio Recarregável			
Modello	V2210-7S1P-BCA/V2210-7S1P-BWA	Capacità nominale	3000 mAh
Tensione nominale	25,2 V ---	Capacità effettiva	2800 mAh
Energia	70,56 Wh		

## Informazioni sulla conformità a normative e standard

### Dichiarazione di conformità europea



Con la presente, Dreame (Tianjin) Information Technology Co., Ltd. dichiara che questo apparecchio è conforme alle direttive applicabili e alle norme europee, nonché ai relativi emendamenti. Il testo completo della dichiarazione di conformità UE è disponibile al seguente indirizzo Internet:

<http://www.mi.com/global/service/support/declaration.html>

Il manuale elettronico dettagliato è disponibile all'indirizzo [www.mi.com/global/service/userguide](http://www.mi.com/global/service/userguide)

### Informazioni RAEE



Tutti i prodotti contrassegnati da questo simbolo sono rifiuti di apparecchiature elettriche ed elettroniche (RAEE in base alla direttiva 2012/19/UE) che non devono essere smaltiti assieme a rifiuti domestici non differenziati. Al contrario, è necessario proteggere l'ambiente e la salute umana consegnando i rifiuti a un punto di raccolta autorizzato al riciclaggio di rifiuti di apparecchiature elettriche ed elettroniche, predisposto dalla pubblica amministrazione o dalle autorità locali. Lo smaltimento e il riciclaggio corretti aiutano a prevenire conseguenze potenzialmente negative per l'ambiente e la salute umana. Contattare l'installatore o le autorità locali per ulteriori informazioni sulla sede e per i termini e le condizioni di tali punti di raccolta.

### Precauzioni di sicurezza per la batteria

# McGrp.Ru

- La batteria agli ioni di litio contiene sostanze pericolose per l'ambiente. Prima di gettare via l'aspirapolvere, rimuovere la batteria, quindi smaltirlo o riciclarlo in conformità alle leggi e alle normative locali del Paese o dell'area in cui viene utilizzato.
- In condizioni di uso scorretto, potrebbe fuoriuscire del liquido dalla batteria. Evitare il contatto con tale liquido poiché può causare irritazioni o ustioni. In caso di contatto, sciacquare con acqua. Se il liquido viene a contatto con gli occhi, rivolgersi a un medico.

Scatola	Manuale	Borsa	Pellicola	Adesivo	Maniglia	Etichetta
PAP 20	PAP 22	CPE 7	PET 1	PP 5	PP5	PAP 21
Carta	Carta	Plastica			Carta	

### RACCOLTA DIFFERENZIATA

Verifica le disposizioni del tuo Comune.  
Separa le componenti e conferiscile in modo corretto.

## Risoluzione dei problemi

Problema	Possibile causa	Soluzione
L'aspirapolvere non funziona.	La batteria è completamente o quasi scarica.	Caricare completamente l'aspirapolvere, quindi riprendere l'uso.
	Entra in modalità di protezione da surriscaldamento attivata da un'ostruzione.	Eliminare eventuali blocchi e riavviare l'aspirapolvere quando si raffredda.
	La bocchetta di aspirazione o il passaggio dell'aria sono ostruiti.	Rimuovere le ostruzioni dalla bocchetta di aspirazione o dal passaggio dell'aria.
La potenza di aspirazione è diminuita.	Il vano polvere è pieno e/o il filtro è intasato.	Svuotare il vano polvere e pulire il filtro.
	La barra della spazzola a coppia elevata, l'asta di prolunga o altre parti sono ostruite.	Rimuovere le ostruzioni dalla barra della spazzola a coppia elevata, dall'asta di prolunga o da altre parti ostruite.
Il motore emette un rumore strano.	La bocchetta di aspirazione principale o l'asta di prolunga è ostruita.	Rimuovere le ostruzioni dalla bocchetta di aspirazione principale o dall'asta di prolunga.
La prima spia è rossa dopo l'accensione dell'aspirapolvere.	La batteria è danneggiata.	Contattare il servizio di assistenza post-vendita per la manutenzione.
La prima spia lampeggia in rosso durante la ricarica dell'aspirapolvere.	Il caricabatterie non è compatibile.	Per ricaricare l'aspirapolvere, utilizzare esclusivamente il caricabatterie originale.
La spia della batteria non si accende durante la ricarica.	Il caricabatterie non è collegato all'aspirapolvere.	Assicurarsi che il caricabatterie sia collegato correttamente.
	La batteria è completamente carica e si è avviata la modalità di risparmio energia.	È possibile utilizzare l'aspirapolvere normalmente.
	Se il problema persiste anche dopo aver escluso le due ipotesi indicate in precedenza, contattare il servizio post-vendita per ottenere assistenza.	
La batteria si ricarica lentamente.	La temperatura della batteria è troppo bassa o troppo alta.	Attendere che la temperatura della batteria torni alla normalità, quindi riprendere l'utilizzo.
Il serbatoio dell'acqua non eroga acqua o eroga acqua lentamente.	I filtri dell'erogatore d'acqua sono intasati.	Pulire o sostituire i filtri dell'erogatore d'acqua.
	Il panno lavapavimenti è sporco.	Pulire o sostituire il panno lavapavimenti.

## Icona errore

Se l'aspirapolvere non funziona correttamente, lo schermo mostra un messaggio di errore. Per trovare una soluzione in base al messaggio di errore, consultare la tabella riportata di seguito.

Icona errore	Messaggio di errore	Soluzione
	Passaggio dell'aria bloccato	Verificare che non vi siano ostruzioni nel vano polvere, nell'asta di prolunga e/o nella barra della spazzola a coppia elevata.
	La spazzola a rullo è bloccata	Per istruzioni su come rimuovere capelli e altri detriti impigliati nella spazzola a rullo, consultare "Pulizia della barra della spazzola a coppia elevata" nella sezione Cura e manutenzione.
	Allerta alta temperatura	Prima di riprendere l'utilizzo, attendere che la temperatura della batteria torni alla normalità.
	Filtro non installato	Assicurarsi che il filtro e il pre-filtro siano installati correttamente.

Se uno dei codici di errore da E0 a E4 appare sul display, si prega di contattare il servizio post-vendita per la riparazione.

## Consignes relatives à la sécurité

---

Ce produit est conçu pour une utilisation domestique uniquement. Lisez attentivement ce manuel avant toute utilisation et conservez-le pour pouvoir le consulter ultérieurement.

Cet appareil peut être utilisé par des enfants de 8 ans et plus, ainsi que par des personnes aux aptitudes physiques, sensorielles ou mentales réduites ou encore manquant d'expérience et de connaissances, à condition qu'ils soient surveillés ou sensibilisés à l'utilisation sécurisée de l'appareil et qu'ils aient compris les risques impliqués. Il est déconseillé de laisser les enfants jouer avec l'appareil. Le nettoyage et l'entretien ne doivent pas être effectués par un enfant sans surveillance.

N'utilisez pas le produit dans des environnements où la température ambiante est inférieure à 5 °C ou supérieure à 38 °C, ni sur un sol couvert de liquides ou de substances collantes.

Si le chargeur ou la batterie est endommagé(e), vous devez le/la remplacer par un cordon ou un assemblage spécial disponible chez le fabricant ou chez son agent de service.

Afin de réduire le risque d'incendie, d'explosion ou de blessure corporelle, veuillez vérifier que la batterie lithium-ion et le chargeur ne sont pas endommagés avant utilisation. N'utilisez pas l'aspirateur si la batterie ou le chargeur n'est pas en bon état.

Utilisez l'aspirateur à l'intérieur, sur des surfaces sèches uniquement. Ce produit ne doit pas être installé, chargé ou utilisé à l'extérieur, dans une salle de bains ou autour d'une piscine.

Ne touchez pas la prise, ni aucun élément de l'aspirateur avec des mains humides.

La barre de brosse à couple élevé, la mini brosse électrique, la batterie, la tige de rallonge et l'aspirateur sont conducteurs d'électricité et ne doivent pas être immergés dans l'eau ou tout autre liquide. Vérifiez que toutes les pièces sont complètement sèches après les avoir nettoyées.

Afin d'éviter toute blessure causée par les pièces mobiles, éteignez l'aspirateur avant de nettoyer la barre de brosse à couple élevé et la mini brosse électrique. La barre de brosse à couple élevé, le compartiment à poussière et le filtre doivent être installés correctement avant utilisation de l'aspirateur.

N'utilisez pas l'aspirateur pour aspirer des liquides inflammables ou combustibles, comme de l'essence, de l'eau de javel, de l'ammoniaque, des nettoyeurs pour canalisations ou tout autre liquide, y compris de l'eau.

N'utilisez pas l'aspirateur pour aspirer des particules de plâtre, des cendres, des matériaux de combustion ou des substances fumigènes, tels que du charbon, des mégots de cigarette ou des allumettes.



N'utilisez pas l'aspirateur pour aspirer des objets durs ou pointus, comme du verre, des clous, des vis ou des pièces de monnaie, sous peine d'endommager le produit.

Gardez les cheveux, les vêtements, les doigts ou autre partie du corps à l'écart des éléments mobiles ou pouvant s'ouvrir. Ne pointez pas le suceur, le tube ni tout autre accessoire vers vos yeux ou vos oreilles. Ne les mettez pas dans votre bouche. Ne placez aucun objet dans les orifices de l'aspirateur. N'utilisez pas l'aspirateur en cas d'obstruction d'un des orifices. Retirez la poussière, les peluches, les cheveux ou tout autre élément susceptible de réduire le flux d'air.

Ne posez pas l'aspirateur contre une chaise, une table ou toute autre surface instable, car cela pourrait endommager le produit ou entraîner des blessures corporelles. Si l'aspirateur fonctionne mal après être tombé ou avoir été endommagé, veuillez contacter le service après-vente agréé. Ne tentez jamais de démonter l'appareil vous-même.

Le compartiment à poussière, le préfiltre, l'ensemble cyclone et le filtre doivent être correctement installés avant utilisation de l'aspirateur.

Veillez à débrancher l'aspirateur lorsqu'il n'est pas utilisé pendant une période prolongée ainsi qu'avant d'effectuer toute opération d'entretien ou toute réparation.

Soyez extrêmement vigilant lorsque vous utilisez l'aspirateur pour nettoyer un escalier.

Avertissement sur le risque d'incendie : N'appliquez aucun parfum sur le filtre de l'aspirateur. Ces types de produits contiennent généralement des produits chimiques inflammables, à cause desquels l'aspirateur pourrait prendre feu.

Conservez la batterie et l'appareil à l'abri des flammes, qui peuvent entraîner leur explosion.

Conservez la batterie et l'appareil à l'abri de l'eau douce, de l'eau salée et de tout autre liquide. Ne les immergez pas dans le moindre liquide.

**AVERTISSEMENT** : N'utilisez pas de bloc batterie et de chargeur tiers.

À utiliser uniquement avec le chargeur BLJ24W308080P-V.

À utiliser uniquement avec le bloc batterie V2210-7S1P-BCA/V2210-7S1P-BWA.

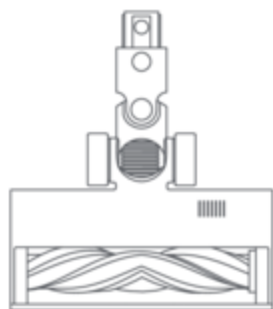
Veillez utiliser ce produit conformément aux instructions du Mode d'emploi. Les utilisateurs sont responsables des pertes ou dommages découlant d'une mauvaise utilisation de ce produit.

## Présentation du produit

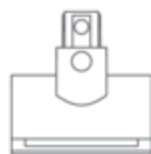
### Liste des accessoires



Tige de rallonge



Barre de brosse à couple élevé



Mini brosse électrique



Suceur pour fenêtres



Suceur brosse 2-en-1



Chargeur



Réservoir d'eau



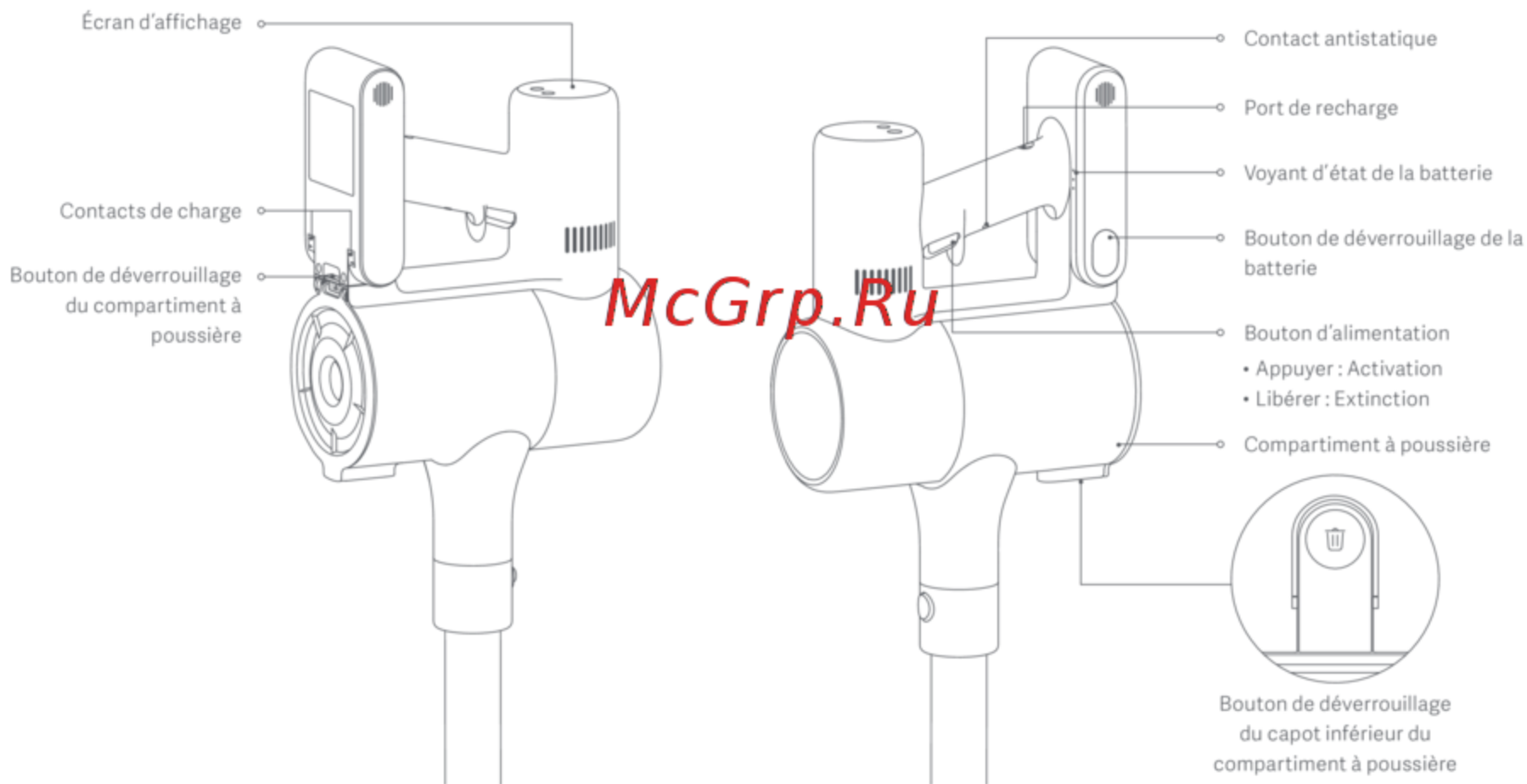
Station de charge et de stockage 2-en-1  
(inclut 2 vis, 2 chevilles murales, un patron d'installation autocollant)



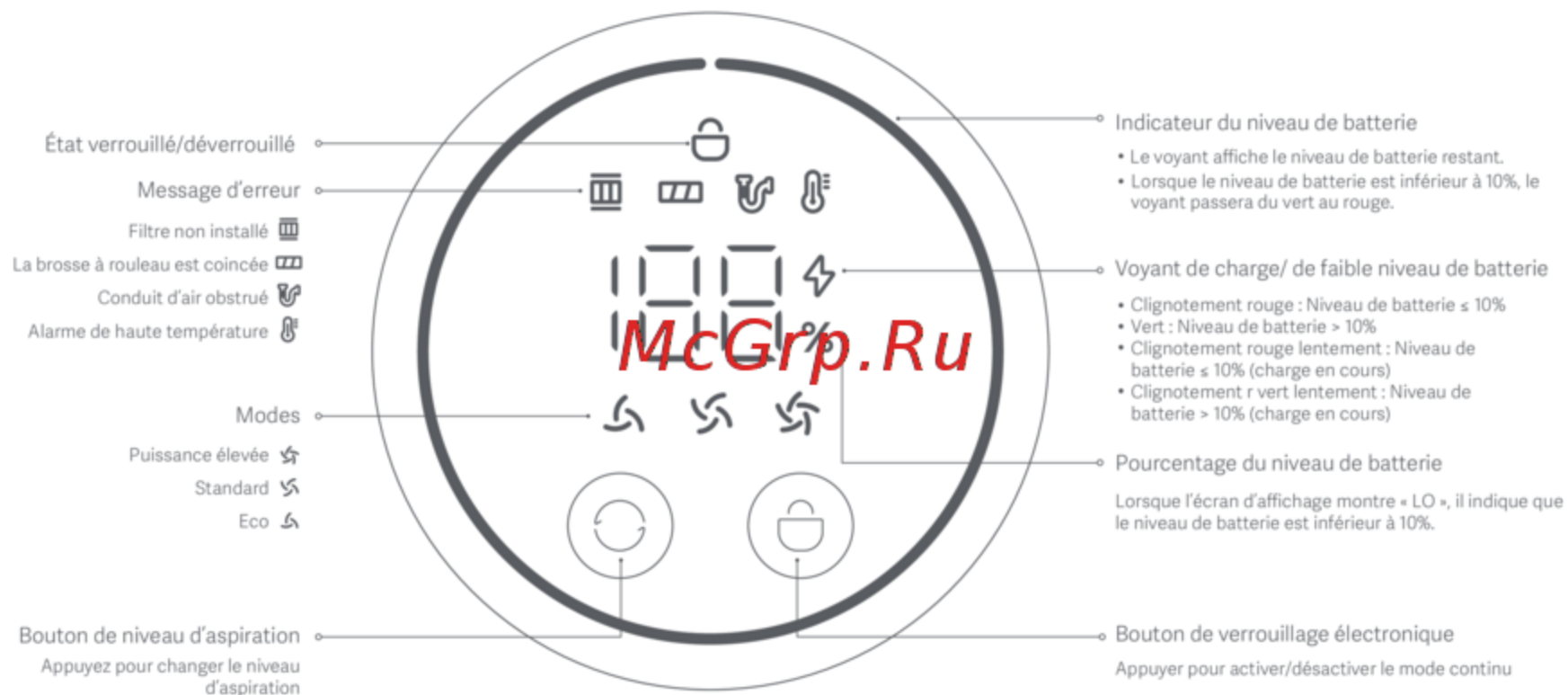
Serpillière  
(pré-installée)

Remarque : Les illustrations du produit, des accessoires et de l'interface utilisateur présentes dans le manuel d'utilisation sont uniquement fournies à titre indicatif. Le produit actuel et les fonctions effectives peuvent varier en raison des améliorations apportées au produit.

Nom du composant



## Écran d'affichage

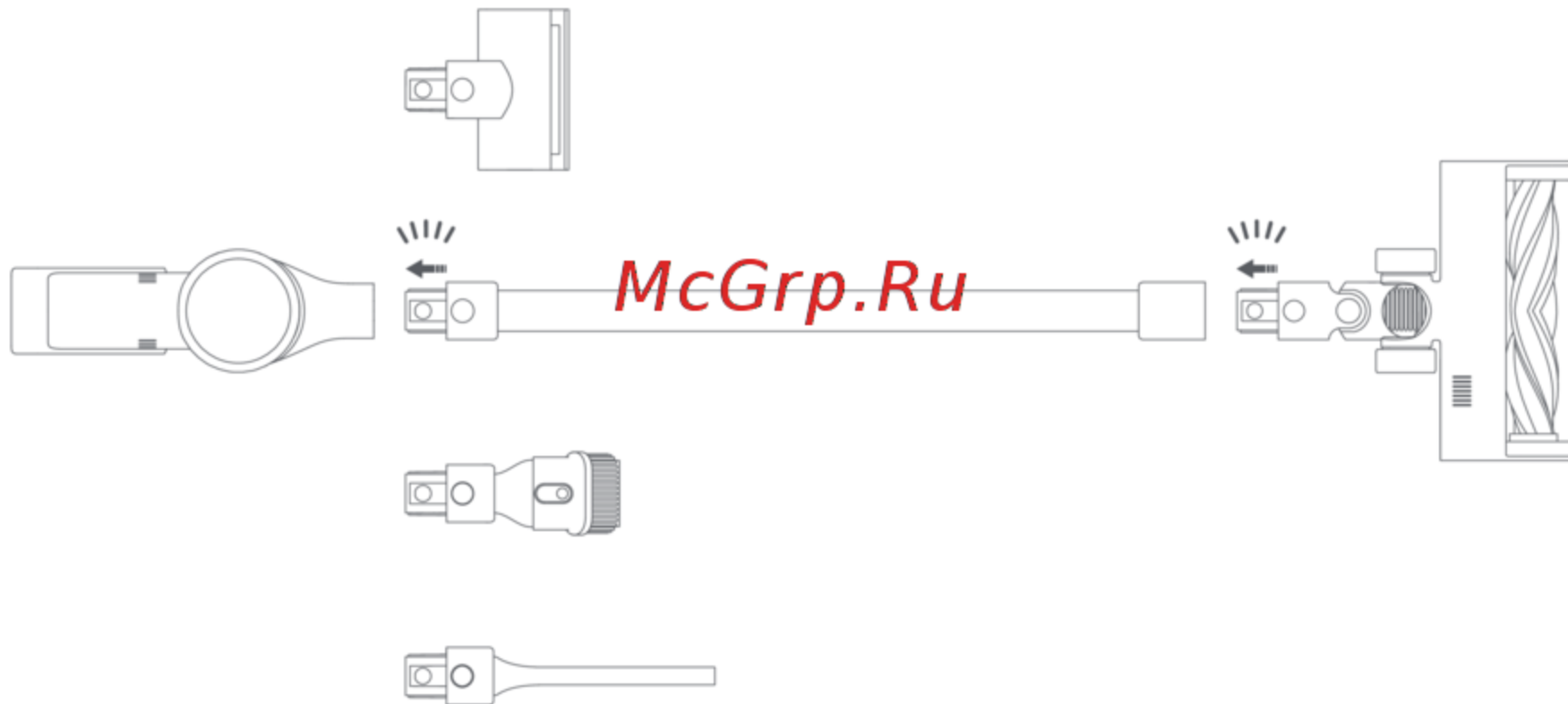


Remarque : Si l'aspirateur connaît une panne, un message d'erreur apparaîtra sur l'écran d'affichage. Pour trouver une solution, veuillez consulter la section Dépannage.

## Procédure d'installation

### Installation des accessoires sur l'aspirateur

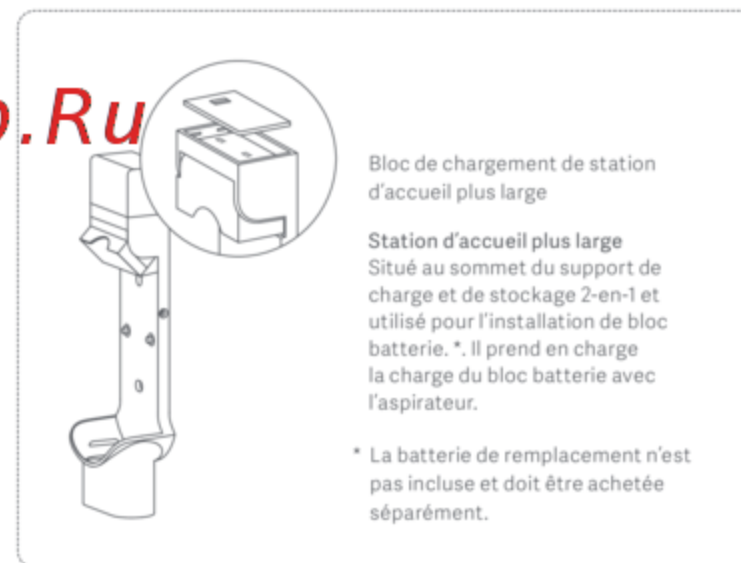
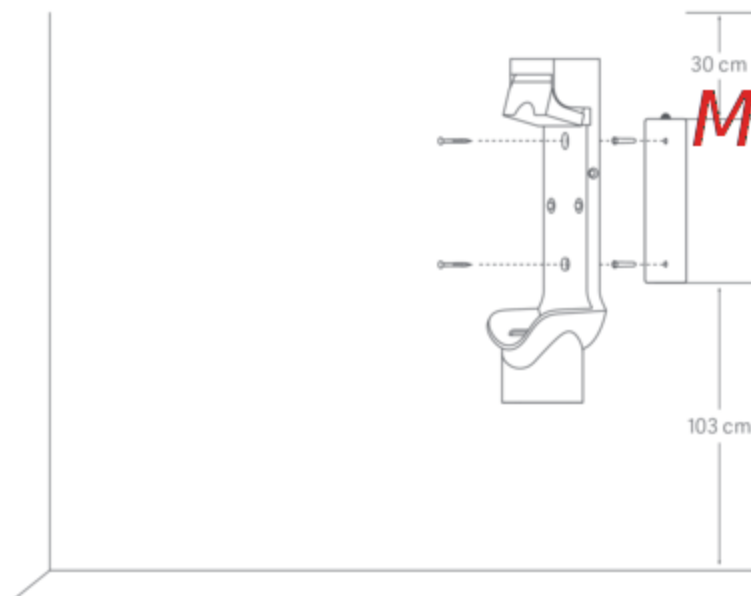
 Insérez jusqu'à entendre un déclic



Remarque : La mini brosse électrique ne doit pas être utilisée avec la tige de rallonge.

## Installation de la station de charge et de stockage 2-en-1

1. La station de charge et de stockage 2-en-1 doit être installée dans un lieu sec et frais, à proximité d'une prise électrique. Avant l'installation, vérifiez qu'il n'y ait pas de fil électrique ou de tuyauterie dans l'espace directement situé derrière l'emplacement où sera placée la station.
2. Le bas du patron d'installation autocollant doit être horizontal et à 1,03 m du sol au minimum. Un espace de 30 cm doit être libre au-dessus du patron.
3. Utilisez une perceuse électrique avec une fraise de 8 mm pour percer un trou à chaque emplacement indiqué sur le patron d'installation. Ensuite, insérez une cheville murale dans chaque trou.
4. Alignez les trous de montage sur la station de charge et de stockage 2-en-1 et ceux percés dans le mur. Fixez la station au mur à l'aide des vis fournies.



Hauteur recommandée : Au minimum 1,03 mètre du sol

## Recharge

### Voyant d'état de la batterie

Remarque : ○ signifie éteint, ● signifie allumé, et ☼ signifie clignotement.

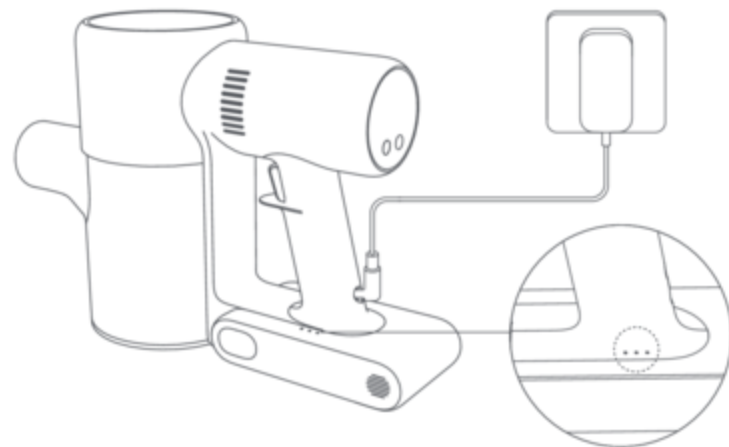
☼ ○ ○ Batterie faible      ● ● ☼ Batterie presque pleine  
● ☼ ○ Batterie à moitié vide      ● ● ● Entièrement chargée

Une fois l'aspirateur entièrement chargé, le voyant s'éteint au bout de 5 minutes et l'appareil passe en mode économie d'énergie.

### Écran d'affichage

Le nombre figurant sur l'écran d'affichage représente le niveau de batterie actuel en pourcentage pendant la charge. Lorsque ce nombre atteint 100, la batterie est complètement chargée.

Lorsque l'aspirateur est en cours de charge, vous pouvez appuyer sur le bouton d'alimentation pour réveiller l'afficheur et vérifier le pourcentage de charge actuel.

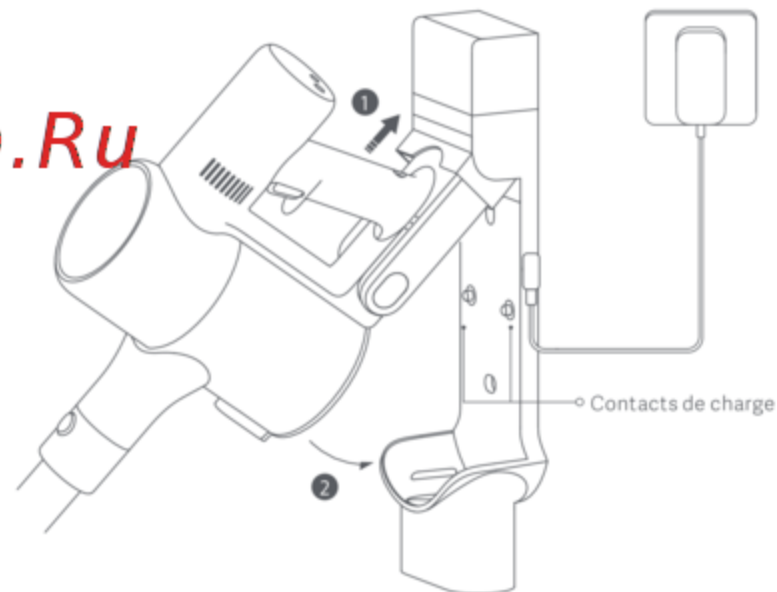


Voyant d'état de la batterie

Recharge de l'aspirateur avec le chargeur

### Remarques :


- Chargez entièrement la batterie de l'aspirateur avant la première utilisation. Cette opération dure environ 4 heures.
- L'aspirateur ne peut pas être utilisé pendant la charge.
- Le fonctionnement de l'appareil au plus haut niveau d'aspiration pendant une période prolongée peut entraîner la surchauffe de la batterie, ce qui est susceptible d'augmenter le temps de charge. Avant de recharger l'aspirateur, il est préférable de le laisser refroidir pendant 30 minutes.



Recharge de l'aspirateur sur la station de charge

## Utilisation

### Modification des niveaux d'aspiration

Appuyez sur le bouton  pour faire défiler les niveaux d'aspiration de l'aspirateur : Eco, Auto et Turbo. Le voyant du niveau d'aspiration correspondant apparaîtra en surbrillance sur l'écran d'affichage

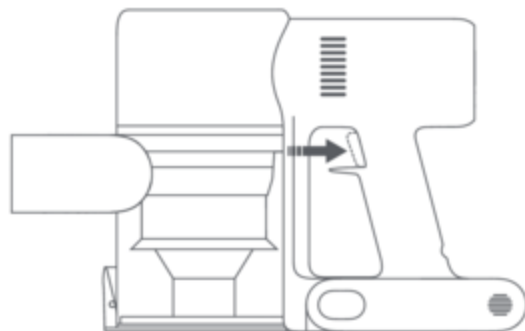
Remarque : Après que l'aspirateur est éteint et rallumé, le niveau d'aspiration sera celui utilisé en dernier.

### Modes de fonctionnement

L'aspirateur dispose de deux modes de fonctionnement. Sélectionnez le mode désiré en fonction de vos besoins.

- Mode non continu

Maintenez le bouton marche/arrêt pour allumer l'aspirateur. Relâchez le bouton pour l'arrêter.

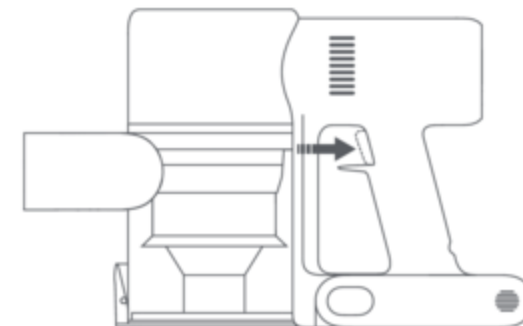


Mode non continu

- Mode continu

Appuyez sur le bouton  pour activer le mode continu. Appuyez ensuite sur le bouton marche/arrêt pour allumer l'appareil. Pour quitter le mode continu, appuyez sur le bouton .

Activer le mode continu permet à l'aspirateur de fonctionner en continu, sans que vous ayez à maintenir enfoncé le bouton d'alimentation.



Mode continu

Remarques :

- En mode continu, l'aspirateur passera en mode veille si vous appuyez sur le bouton marche/arrêt. Il redémarrera si vous appuyez de nouveau sur ce bouton.
- Si l'aspirateur est en mode veille pendant plus de 10 secondes, l'écran d'affichage s'éteindra et l'appareil sortira du mode continu.



## Utilisation des différents accessoires

Barre de brosse à couple élevé : Pour le nettoyage de différents types de sols (bois, marbre, carrelage et moquette).

Remarque : La barre de brosse à couple élevé peut être attachée directement à l'aspirateur.



Mini brosse électrique : Pour l'aspiration de poussière, poils d'animaux et autres résidus tenaces sur des canapés, linges de lit et autres surfaces en tissu.

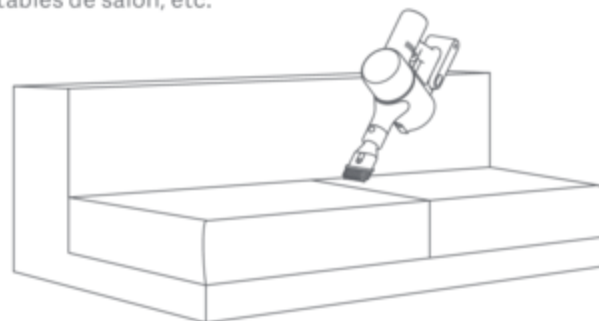


**McGrp.Ru**

Suceur pour fentes : Pour l'aspiration de fentes étroites et autour des portes, fenêtres, plinthes, ainsi que dans les coins, les escaliers, etc.



Suceur brosse 2-en-1 : Pour l'aspiration de rideaux, canapés, intérieur de véhicules, tables de salon, etc.



Remarques :

- Si un pièce rotative se coince, l'aspirateur est susceptible de s'éteindre automatiquement. Retirez tout objet coincé dans l'aspirateur, puis poursuivez votre utilisation.
- Lorsque la protection contre la forte température est déclenchée, l'aspirateur cessera immédiatement de fonctionner. Attendez que la température de la batterie revienne à un niveau normal, puis poursuivez votre utilisation.

## Utilisation de la fonction lavage

Remarques :

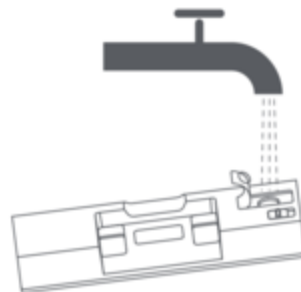
- Ne prenez pas appui sur le réservoir d'eau, car vous risqueriez de l'endommager de façon permanente.
- Les sols particulièrement sales doivent être aspirés avant lavage pour de meilleurs résultats.
- N'utilisez pas la fonction lavage sur la moquette ou les tapis.
- N'utilisez pas de produits de nettoyage ou de désinfectants.

1. Humidifiez la serpillière et essorez-la pour éliminer l'excès d'eau, puis fixez-la solidement en bas du réservoir d'eau.

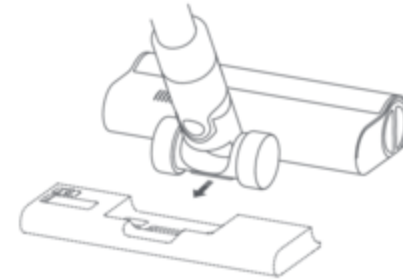


McGrp.Ru

2. Ouvrez le goulot du réservoir d'eau, ajoutez le volume d'eau claire approprié et refermez-le.



3. Fixez la barre de brosse à couple élevé au réservoir d'eau en alignant les aimants situés sur chacune de ces pièces jusqu'à ce qu'ils soient parfaitement assemblés.



4. Cette fonction est conçue pour l'aspiration et le lavage de parquets et de sols en carrelage.



OFF (ARRÊT) → ON (MARCHE)

Remarques :

- La vanne à boule du réservoir d'eau régule la quantité d'eau distribuée. La boule est une pièce mobile. Elle est susceptible d'émettre un bruit de roulement au démarrage et à l'arrêt. C'est tout à fait normal.
- Lorsque l'aspirateur n'est pas en cours d'utilisation, maintenez l'interruption sur la position OFF (ARRÊT).

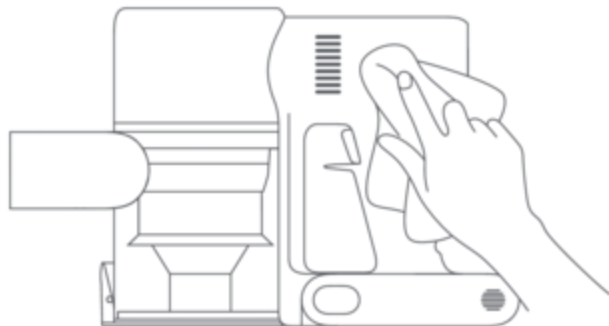
## Entretien et maintenance

### Précautions concernant la maintenance

- Utilisez toujours des pièces d'origine, faute de quoi la garantie pourrait être annulée.
- En cas d'obstruction du filtre, de la tige de rallonge ou de la barre de brosse à couple élevé, l'aspirateur s'arrête de fonctionner momentanément. Nettoyez l'élément encombré afin de rétablir son fonctionnement.
- Si vous ne prévoyez pas d'utiliser l'aspirateur pendant une période prolongée, chargez-le entièrement, débranchez-le, puis entreposez-le dans un endroit frais, à l'abri de l'humidité et de la lumière directe du soleil. Afin d'éviter une décharge excessive de la batterie, rechargez l'aspirateur au moins une fois tous les trois mois.

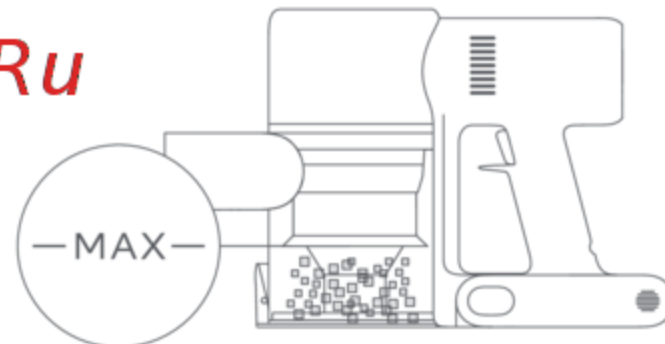
### Nettoyage de l'aspirateur

Essuyez l'aspirateur avec un chiffon doux et sec.



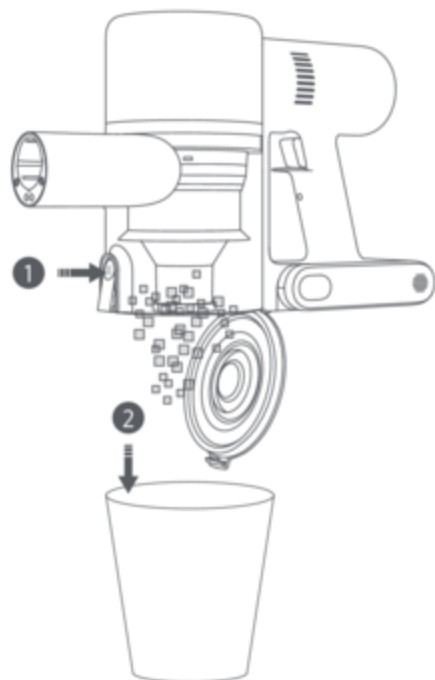
### Nettoyage du compartiment à poussière, du préfiltre et de l'ensemble cyclone

1. La capacité de nettoyage de l'aspirateur diminuera si le compartiment à poussière est rempli jusqu'au niveau « MAX ». Videz-le pour améliorer les performances. Avant de vider le compartiment, assurez-vous d'avoir bien débranché l'aspirateur et n'appuyez pas sur le bouton marche/arrêt.



*McGrp.Ru*

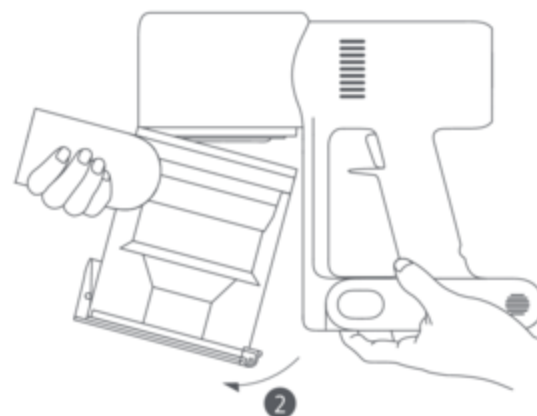
2. Appuyez sur le bouton de déverrouillage du capot inférieur du compartiment à poussière, puis videz celui-ci.



3. Tirez le commutateur de déverrouillage du compartiment à poussière dans le sens illustré dans l'image ①, puis retirez le compartiment à poussière de l'aspirateur suivant l'illustration de l'image ②.

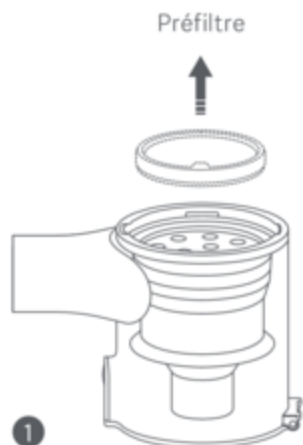


Bouton de déverrouillage du compartiment à poussière



4. Retirez d'abord le préfiltre, puis levez la poignée de l'ensemble cyclone et tournez-la dans le sens inverse des aiguilles d'une montre jusqu'à ce qu'elle ne puisse plus tourner. Tirez ensuite pour soulever l'ensemble cyclone.

5. Rincez le préfiltre, l'ensemble cyclone et le compartiment à poussière avec de l'eau jusqu'à ce qu'ils soient propres. Ensuite, laissez les composants sécher pendant au moins 24 heures.



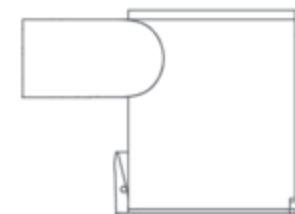
**McGrp.Ru**



Préfiltre



Ensemble cyclone

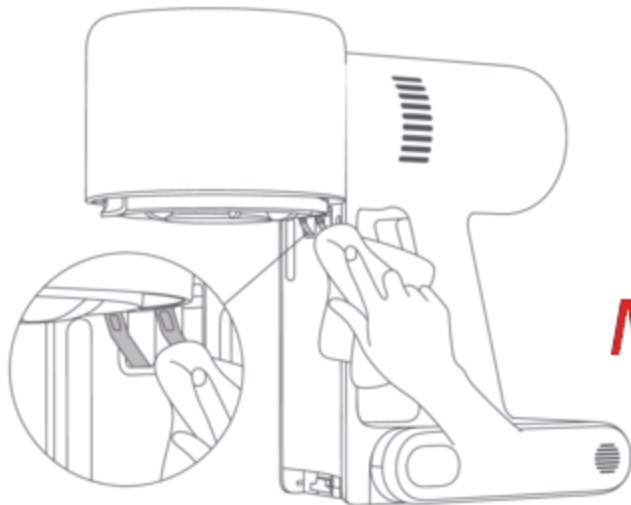


Compartiment à  
poussière

Remarques :

- Le compartiment à poussière doit être rincé au moins une fois par mois.
- Le préfiltre et l'ensemble cyclone doivent être nettoyés une fois tous les 3 à 4 mois.

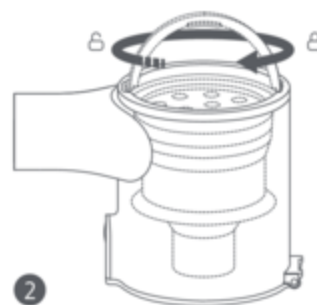
6. Essuyez les points de contact de l'aspirateur avec un chiffon doux et sec s'ils sont sales.



### Installation du compartiment à poussière, du préfiltre et de l'ensemble cyclone

1. Insérez l'ensemble cyclone à la verticale dans le compartiment à poussière. Assurez-vous que la poignée de l'ensemble cyclone est alignée avec l'encoche située à gauche du compartiment à poussière. Tournez la poignée dans le sens des aiguilles d'une montre jusqu'à ce qu'elle se verrouille, puis rabattez-la.
2. Placez le préfiltre face vers le haut dans l'ensemble cyclone.

*McGrp.Ru*



#### Remarques :

- N'utilisez pas de détergents, cirages ou désodorisants pour rincer le compartiment à poussière.
- Ne nettoyez pas le compartiment à poussière, le préfiltre ou l'ensemble cyclone dans un lave-vaisselle ou un lave-linge. Ne séchez pas les pièces dans un sèche-linge, un four, un four à micro-ondes ou dans un endroit à proximité d'une flamme nue.

3. Inclinez légèrement le compartiment à poussière pour que son encoche soit alignée avec le clip sur l'aspirateur. Enfoncez délicatement le compartiment à poussière jusqu'à entendre un déclic.



Insérez jusqu'à entendre un déclic

## Nettoyage du filtre

1. Retirez le compartiment à poussière comme illustré sur le schéma.

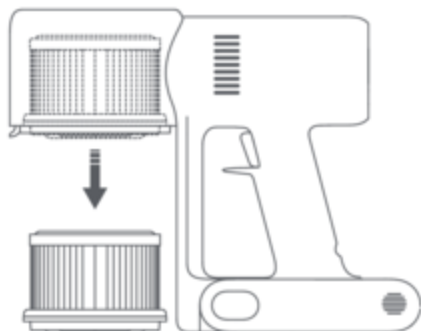


Bouton de déverrouillage du compartiment à poussière

### Remarques :

- Il est recommandé de nettoyer le filtre tous les 4 à 6 mois.
- Il est recommandé de remplacer le filtre une fois tous les 6 mois à 12 mois en fonction des conditions d'utilisation réelle du filtre.

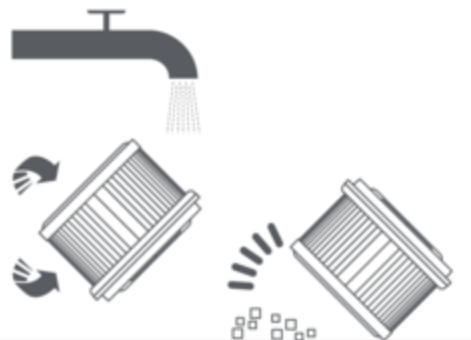
2. Retirez le filtre de l'aspirateur en tirant dessus, dans la direction indiquée sur le schéma.



4. Laissez le filtre sécher complètement pendant au moins 24 heures.

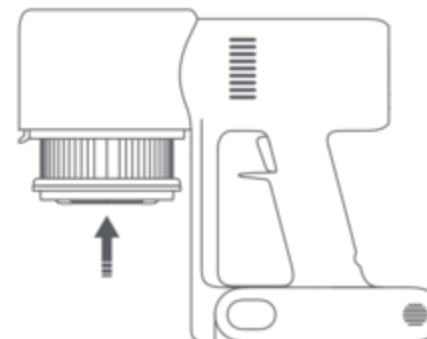


3. Nettoyez le filtre avec de l'eau claire. Assurez-vous de faire pivoter le filtre à 360° afin de bien éliminer toute poussière coincée dedans. Tapotez légèrement le filtre plusieurs fois pour éliminer tout excès de poussière.



## McGrp.Ru Installation du filtre

1. Insérez le filtre dans l'aspirateur et enfoncez-le délicatement, comme indiqué sur le schéma.



Remarques :

- Pour nettoyer le filtre, n'utilisez que de l'eau claire. N'utilisez pas de détergents.
- N'essayez pas de nettoyer le filtre avec une brosse ou vos doigts.



2. Réinstallez le compartiment à poussière.



Insérez jusqu'à entendre un déclic

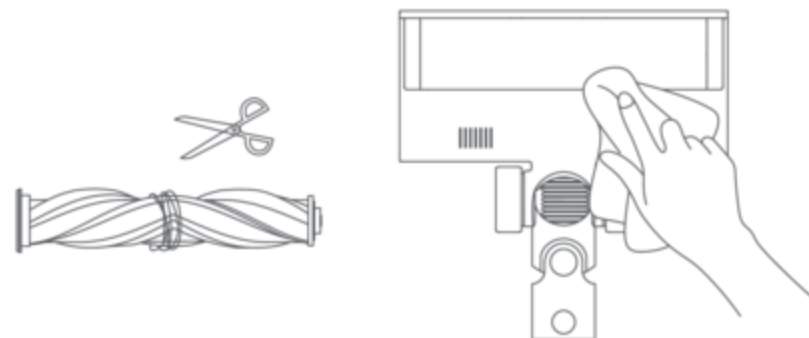
## Nettoyage de la barre de brosse à couple élevé

1. Tournez le verrou dans le sens inverse des aiguilles d'une montre jusqu'à ne plus pouvoir le tourner, puis retirez la brosse à roulette de la barre de brosse à couple élevé.

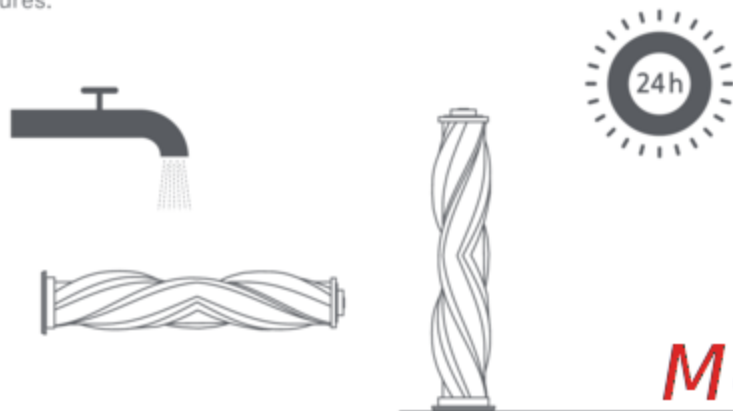


**McGrp.Ru**

2. À l'aide de ciseaux, coupez et enlevez tout cheveu, poil ou autre saleté enroulé autour de la brosse à roulette. Enlevez tout excès de poussière de l'encoche et du couvercle en plastique transparent à l'aide d'un chiffon sec ou de papier absorbant.

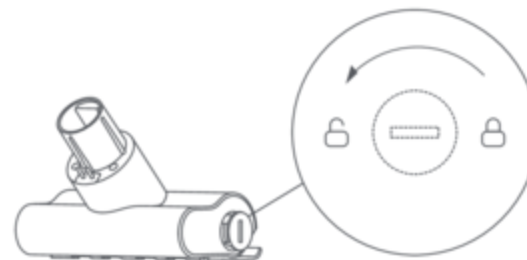


3. Après un usage prolongé, la brosse à rouleau peut être sale et doit être nettoyée. Après nettoyage de la brosse à rouleau, laissez-la sécher complètement à la verticale dans un endroit bien aéré pendant au moins 24 heures.



### Nettoyage de la mini brosse électrique

1. Utilisez un outil approprié pour faire tourner le verrou dans le sens inverse des aiguilles d'une montre jusqu'à entendre un déclic.



**McGrp.Ru**

4. Assurez-vous que la brosse à rouleau est entièrement sèche, puis alignez le verrou au sommet de la brosse à rouleau avec le signe ☰ pour la réinsérer. Tourner le verrou dans le sens des aiguilles d'une montre vers le signe ☷ pour installer la brosse à rouleau en place.

2. Une fois la brosse à rouleau déverrouillée, retirez-la de la mini brosse électrique, puis rincez et nettoyez la brosse à roulette.

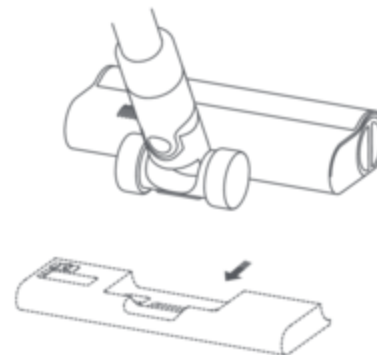


3. Après nettoyage de la brosse à rouleau, laissez-la sécher complètement à la verticale dans un endroit bien aéré pendant au moins 24 heures.



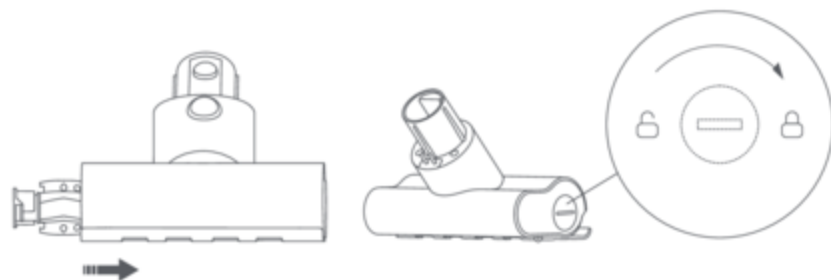
### Nettoyage du réservoir d'eau et de la serpillière

1. Faites glisser le réservoir d'eau vers le bas pour le détacher de la barre de brosse à couple élevé.



**McGrp.Ru**

4. Dès que la brosse à roulette est sèche, réinstallez-la en suivant la procédure de démontage dans l'ordre inverse.



2. Videz le réservoir d'eau.



3. Retirez la serpillière du réservoir d'eau.



4. Nettoyez la serpillière, puis séchez-la



Remarques :

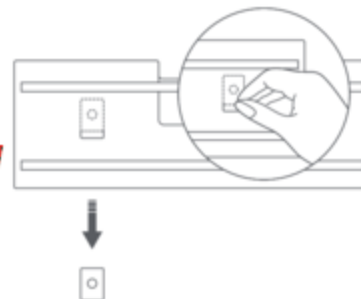
- Quand l'aspirateur est en charge ou non utilisé, retirez le réservoir d'eau et videz toute eau restante pour éviter les moisissures ou odeurs persistantes.
- Après nettoyage des sols, retirez la serpillière et nettoyez-la pour éviter que l'eau sale n'obstrue la sortie d'eau.
- Une serpillière usée ou endommagée, qui n'adhère plus au réservoir d'eau, doit être remplacée pour des performances de nettoyage optimales.

## Filtres du distributeur d'eau

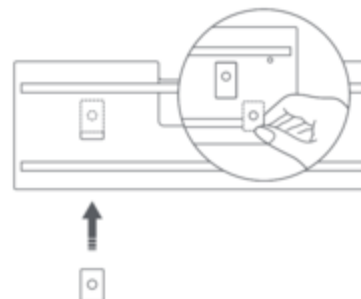
Les filtres du distributeur d'eau doivent être remplacés si le réservoir d'eau délivre de l'eau trop lentement ou est obstrué.

Pour un nettoyage optimal, il est recommandé de remplacer les filtres du distributeur d'eau tous les 3 à 6 mois, selon la qualité de l'eau et la fréquence d'utilisation.

1. Avec vos doigts, faites glisser les anciens filtres du distributeur d'eau vers la gauche ou la droite de chaque emplacement.



2. Insérez les nouveaux filtres dans le distributeur d'eau et vérifiez leur bonne installation.

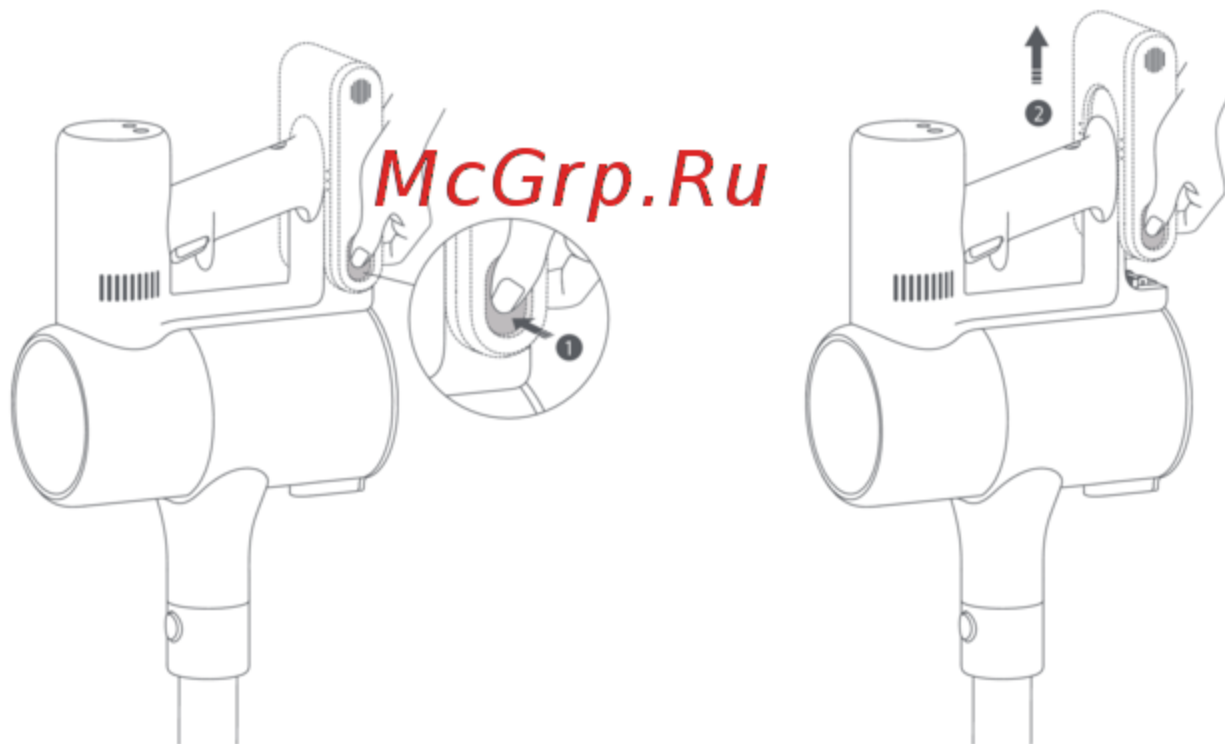


*McGrp.Ru*

## Batterie

L'aspirateur contient une batterie lithium-ion rechargeable disposant d'un nombre limité de cycles de charge. Après un usage prolongé, la batterie est susceptible de se décharger rapidement. Si c'est le cas, cela signifie que la batterie est arrivée au bout de sa durée de vie et doit être remplacée.

1. Appuyez sur le bouton de déverrouillage de la batterie et faites-la glisser vers la droite pour la retirer, comme illustré sur le schéma.
2. Installez la nouvelle batterie.



## Caractéristiques

Aspirateur sans fil			
Modèle	B207	Tension nominale	25,2 V ---
Tension de charge	30,8 V ---	Capacité de la batterie	3000 mAh (Capacité nominale) 2800 mAh (Capacité de fonctionnement)
Puissance nominale	425 W	Capacité du compartiment à poussière	0,6 L
Temps de Charge	Environ 4 heures	Poids net	1,7 kg
Dimensions du produit	1286 × 214 × 256 mm	Poids net (avec Accessoires)	4,2 kg
Barre de brosse à couple élevé		Mini brosse électrique	
Modèle	VMH1	Modèle	VTV104B
Puissance nominale	40 W	Puissance nominale	20 W
Tension nominale	25,2 V ---	Tension nominale	25,2 V ---
Chargeur			
Fabricant	Zhongshan Baolijin Electronic Co., Ltd.	Efficacité active moyenne	87,5%
Modèle	BLJ24W308080P-V	Efficacité à charge faible (10%)	77,9%
Entrée	100-240 V ~ 50/60 Hz 0,8 A	Consommation d'énergie sans charge	0,10 W
Sortie	30,8 V --- 0,8 A		
Batterie rechargeable lithium-ion			
Modèle	V2210-7S1P-BCA/V2210-7S1P-BWA	Capacité nominale	3000 mAh
Tension nominale	25,2 V ---	Capacité de fonctionnement	2800 mAh
Énergie	70,56 Wh		

## Informations sur la conformité et les réglementations

### Déclaration de conformité pour l'Union européenne



Par la présente, Dreame (Tianjin) Information Technology Co., Ltd., déclarons que cet équipement est conforme aux directives et normes européennes applicables, ainsi qu'à leurs amendements. L'intégralité de la déclaration de conformité pour l'UE est disponible à l'adresse suivante : <http://www.mi.com/global/service/support/declaration.html>  
Pour obtenir un manuel électronique détaillé, rendez-vous sur le site [www.mi.com/global/service/userguide](http://www.mi.com/global/service/userguide)

### Informations DEEE



Tous les produits portant ce symbole deviennent des déchets d'équipements électriques et électroniques (DEEE dans la Directive européenne 2012/19/UE) qui ne doivent pas être mélangés aux déchets ménagers non triés. Vous devez contribuer à la protection de l'environnement et de la santé humaine en apportant l'équipement usagé à un point de collecte dédié au recyclage des équipements électriques et électroniques, agréé par le gouvernement ou les autorités locales. Le recyclage et la destruction appropriés permettront d'éviter tout impact potentiellement négatif sur l'environnement et la santé humaine. Contactez l'installateur ou les autorités locales pour obtenir plus d'informations concernant l'emplacement ainsi que les conditions d'utilisation de ce type de point de collecte.

# McGrp.Ru

### Précautions de sécurité de la batterie

- La batterie lithium-ion contient des substances dangereuses pour l'environnement. Avant de mettre l'aspirateur au rebut, retirez d'abord la batterie pour la jeter ou la recycler conformément à la législation et à la réglementation locales du pays ou de la région dans lequel ou laquelle il est utilisé.
- Toute utilisation non conforme peut provoquer des jets de liquide au niveau de la batterie. Éviter tout contact avec le liquide, qui peut provoquer des irritations ou des brûlures. En cas de contact, rincer à l'eau claire. En cas de projection de liquide dans les yeux, consultez un médecin.



Points de collecte sur [www.quefairedemesdechets.fr](http://www.quefairedemesdechets.fr)  
Privilégiez la réparation ou le don de votre appareil !


## Dépannage

Problème	Cause possible	Solution
L'aspirateur ne fonctionne pas.	La batterie est déchargée ou faible.	Rechargez complètement l'aspirateur avant de reprendre votre utilisation.
	Le mode de protection contre la surchauffe se déclenche suite à une obstruction.	Enlevez tous les éléments de blocage et redémarrez l'aspirateur lorsqu'il se refroidit.
	L'orifice d'aspiration ou le conduit d'air est obstrué.	Retirez les débris susceptibles de bloquer l'orifice d'aspiration ou le conduit d'air.
La puissance d'aspiration est affaiblie.	Le compartiment à poussière est rempli et/ou le filtre est obstrué.	Videz le compartiment à poussière et nettoyez le filtre.
	La barre de brosse à couple élevé, la tige de rallonge ou d'autres pièces sont bloquées.	Retirez tout débris responsable de l'obstruction de la barre de brosse à couple élevé, de la tige de rallonge ou d'autres pièces.
Le moteur fait un bruit anormal.	L'orifice d'aspiration principal ou la tige de rallonge est obstrué(e).	Retirez les débris susceptibles de bloquer le suceur principal ou la tige de rallonge.
Le premier voyant est rouge après avoir allumé l'aspirateur.	La batterie est endommagée.	Contactez le service après-vente pour assurer la maintenance.
Le premier voyant clignote en rouge quand l'aspirateur est en charge.	Le chargeur n'est pas compatible.	Utilisez uniquement le chargeur d'origine pour recharger l'aspirateur.
Le voyant de batterie ne s'allume pas lorsque l'aspirateur est en charge.	Le chargeur n'est pas connecté à l'aspirateur.	Assurez-vous que le chargeur est branché correctement.
	La batterie est complètement chargée et l'appareil est passé en mode veille.	L'aspirateur peut être utilisé normalement.
	Si le problème persiste après avoir écarté les deux possibilités ci-dessus, contactez le service après-vente qui vous aidera.	
La batterie charge lentement.	La température de la batterie est trop basse ou trop élevée.	Attendez que la température de la batterie revienne à un niveau normal, puis reprenez votre session de nettoyage.
Le réservoir d'eau ne distribue pas d'eau ou en distribue trop lentement.	Le filtre du distributeur d'eau est obstrué.	Nettoyez ou remplacez le filtre du distributeur d'eau.
	La serpillière est sale.	Nettoyez ou remplacez la serpillière.



## Icône d'erreur

Si l'aspirateur ne fonctionne pas correctement, un message d'erreur apparaîtra sur l'écran d'affichage. Veuillez consulter le tableau de dépannage ci-dessous pour trouver la solution correspondant à votre message d'erreur.

Icône d'erreur	Message d'erreur	Solution
	Conduit d'air obstrué	Vérifiez si des débris sont coincés dans le compartiment à poussière, la tige de rallonge et/ou la barre de brosse à couple élevé.
	La brosse à rouleau est coincée	Consultez la rubrique « Nettoyage de la barre de brosse à couple élevé » dans la section « Entretien et maintenance », où vous trouverez des instructions pour retirer les cheveux, poils et saletés coincés dans la brosse à rouleau.
	Alarme de haute température	Attendez que la température de la batterie revienne à un niveau normal avant de reprendre votre session de nettoyage.
	Filtre non installé	Vérifiez que le filtre et le préfiltre sont installés correctement.

Si l'un des codes d'erreurs partant de E0 à E4 apparaît sur l'écran d'affichage, veuillez contacter l'équipe du service après-vente pour réparation.

## Sicherheitshinweise

---

Dieses Produkt ist nur für den Betrieb im Haushalt gedacht. Lesen Sie dieses Handbuch vor der Verwendung sorgfältig und bewahren Sie es auf, um zukünftig die Informationen nachlesen zu können.

Dieses Gerät ist für Kinder ab einem Alter von 8 Jahren und Personen geeignet, die körperlich, sensorisch oder geistig behindert sind oder nicht über ausreichend Erfahrung oder Kenntnisse verfügen, wenn sie eine Beaufsichtigung oder Anweisung zur Nutzung des Geräts im Hinblick auf Sicherheit erfahren haben und wissen, welche Gefahren auftreten können. Kinder dürfen nicht mit dem Gerät spielen. Kinder dürfen die Reinigung und Wartung nur unter Aufsicht vornehmen.

Benutzen Sie das Produkt nicht bei Umgebungstemperatur unter 5 °C oder über 38 °C oder auf einem Boden mit Flüssigkeiten oder klebrigen Substanzen.

Wenn das Ladegerät oder der Akkupack beschädigt sind, müssen sie durch ein spezielles Kabel oder eine spezielle Baugruppe ersetzt werden, die beim Hersteller oder seinem Kundendienst erhältlich sind.

Um die Gefahr von Bränden, Explosionen und Verletzungen zu verringern, sollten Sie vor der Benutzung sicherstellen, dass der Lithium-Ionen-Akku und das Ladegerät unbeschädigt sind. **McGrp.Ru** Der Staubsauger darf nicht benutzt werden, wenn der Akku oder das Ladegerät beschädigt ist.

Der Staubsauger darf nur in Innenräumen und auf trockenen Oberflächen benutzt werden. Dieses Produkt darf nicht im Freien, in Badezimmern oder in der Nähe eines Schwimmbekens installiert, geladen oder benutzt werden.

Der Stecker und der Staubsauger dürfen nicht mit nassen Händen berührt werden.

Die Hochleistungs-Bürstenrolle, die elektrische Mini-Bürste, der Akku, das Verlängerungsrohr und der Staubsauger sind elektrisch leitfähig und sollten nicht in Wasser oder andere Flüssigkeiten getaucht werden. Stellen Sie nach dem Reinigen von Teilen sicher, dass diese vollständig trocken sind.

Um Verletzungen durch bewegliche Teile zu vermeiden, müssen Sie den Staubsauger vor der Säuberung der Hochleistungs-Bürstenrolle und der elektrischen Mini-Bürste ausschalten. Die Hochleistungs-Bürstenrolle, der Staubbehälter und der Filter müssen vor Benutzung des Staubsaugers ordnungsgemäß installiert sein.

Der Staubsauger darf nicht benutzt werden, um brennbare oder entzündliche Flüssigkeiten wie Benzin, Bleiche, Ammoniak, Abflussreiniger oder andere Flüssigkeiten (z. B. Wasser) aufzusaugen.

Der Staubsauger darf nicht benutzt werden, um Rigipspartikel, Asche (z. B. Kaminasche) oder Rauch- oder Brennmaterialien wie

Kohle, Zigarettenstummel oder Streichhölzer aufzusaugen.

Der Staubsauger darf nicht benutzt werden, um scharfe oder harte Objekte wie Glas, Nägel, Schrauben oder Münzen aufzusaugen, da dies zu Schäden am Produkt führen kann.

Halten Sie Ihre Haare, Kleidung, Finger und anderen Körperteile von den Öffnungen und beweglichen Teilen fern. Richten Sie die Saugöffnung, das Verlängerungsrohr oder anderes Zubehör nicht auf Ihre Augen oder Ohren und nehmen Sie sie nicht in den Mund.

Stecken Sie keine Gegenstände in die Öffnungen des Staubsaugers und benutzen Sie den Staubsauger nicht, wenn Öffnungen blockiert sind. Halten Sie das Gerät frei von Staub, Fusseln, Haaren oder anderen Gegenständen, die den Luftstrom behindern könnten.

Lehnen Sie den Staubsauger nicht gegen einen Stuhl, Tisch oder andere instabile Oberflächen, da dies zu Schäden am Produkt oder zu Verletzungen führen kann. Wenn der Staubsauger aufgrund von Stößen oder Beschädigungen nicht mehr funktioniert, wenden Sie sich bitte an die autorisierte Serviceabteilung. **McGrp.Ru** Versuchen Sie nicht, den Staubsauger selbst zu zerlegen.

Der Deckel des Staubbehälters, der Vorfilter, die Zyklon-Baugruppe und der Filter müssen vor dem Gebrauch des Staubsaugers ordnungsgemäß installiert sein.

Stellen Sie sicher, dass das Ladegerät abgetrennt ist, wenn Sie es über längere Zeit nicht verwenden und bevor Sie Wartungs- oder Reparaturarbeiten ausführen.

Bitte seien Sie besonders vorsichtig, wenn Sie den Staubsauger zur Treppenreinigung verwenden.

Warnung vor Brandgefahr: Auf den Filter des Staubsaugers dürfen keinesfalls Duftstoffe aufgetragen werden. Diese Art von Produkten enthält häufig brennbare Chemikalien, die dazu führen könnten, dass das Gerät Feuer fängt.

Setzen Sie den Akku und das Gerät auf keinen Fall Feuer aus, da dies zur Explosion führen kann.

Sie dürfen den Akku und das Gerät nicht in Wasser, Salzwasser oder andere Flüssigkeiten eintauchen oder diesen aussetzen.

**WARNUNG:** Verwenden Sie keine Akkupack und Ladegeräte von Drittanbietern.

Nur mit einem BLJ24W308080P-V Ladegerät verwenden.

Nur mit einem V2210-7S1P-BCA/V2210-7S1P-BWA Akkupack verwenden.

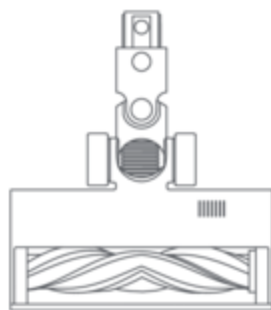
Bitte verwenden Sie das Produkt gemäß den Anweisungen im Benutzerhandbuch. Der Benutzer ist für jeglichen Verlust oder Schaden verantwortlich, der aufgrund inkorrektter Verwendung dieses Produkts entsteht.

## Produktübersicht

### Zubehörliste



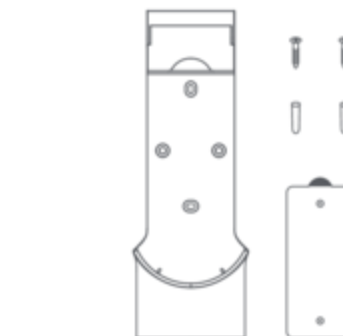
Verlängerungsrohr



Hochleistungs-Bürstenrolle



*McGrp.Ru*



2-in-1 Ladegerät und Aufbewahrungshalterung  
(einschließlich 2 x Schrauben, 2 x Dübel und  
Montagevorlage-Aufkleber)



Elektrische Mini-Bürste



2-in-1 Bürstendüse



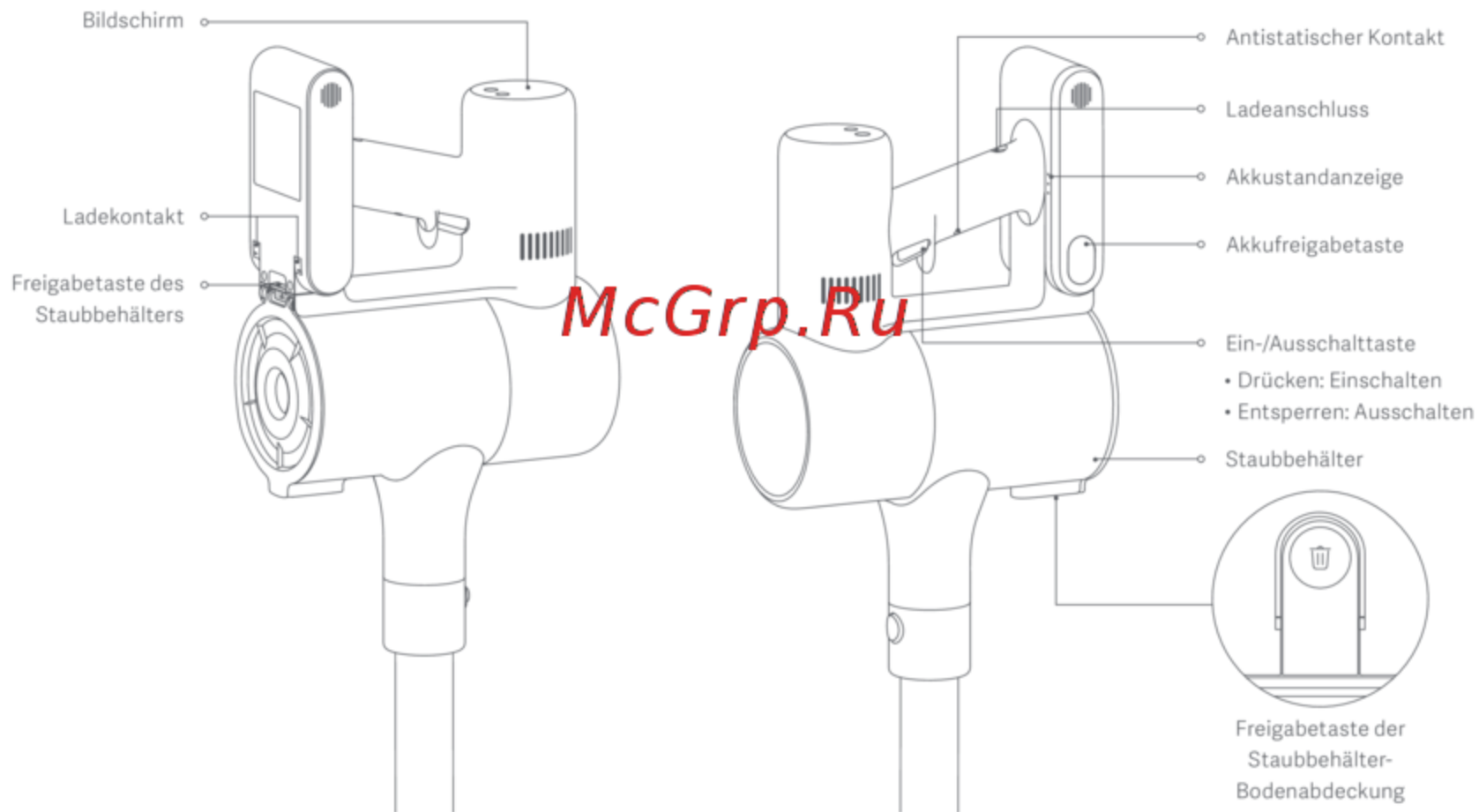
Wasserbehälter



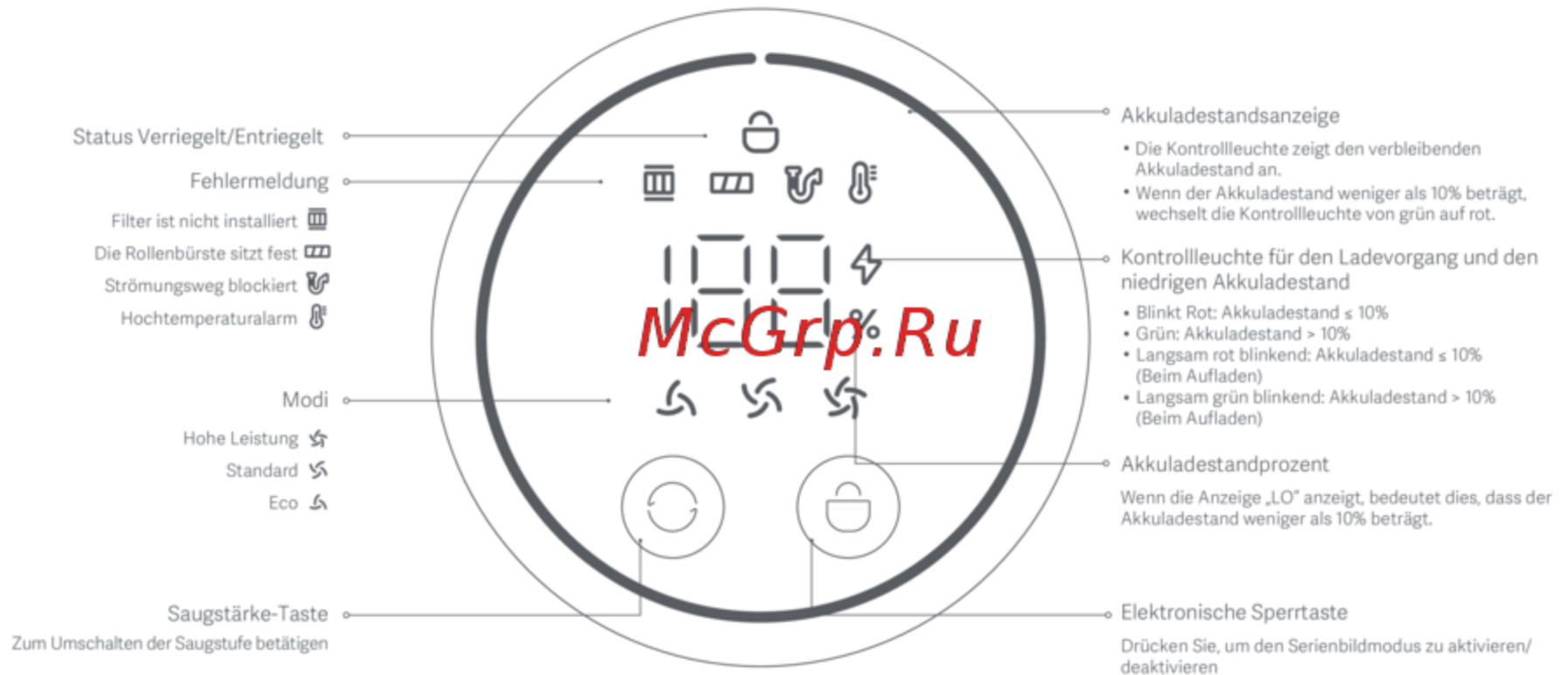
Wischer-Pad  
(vormontiert)

Hinweis: Abbildungen des Produkts, des Zubehörs und der Benutzeroberfläche im Benutzerhandbuch dienen nur als Referenz. Die tatsächlichen Produkte und Funktionen können aufgrund von Produktverbesserungen variieren.

## Bauteilbezeichnung



## Bildschirm

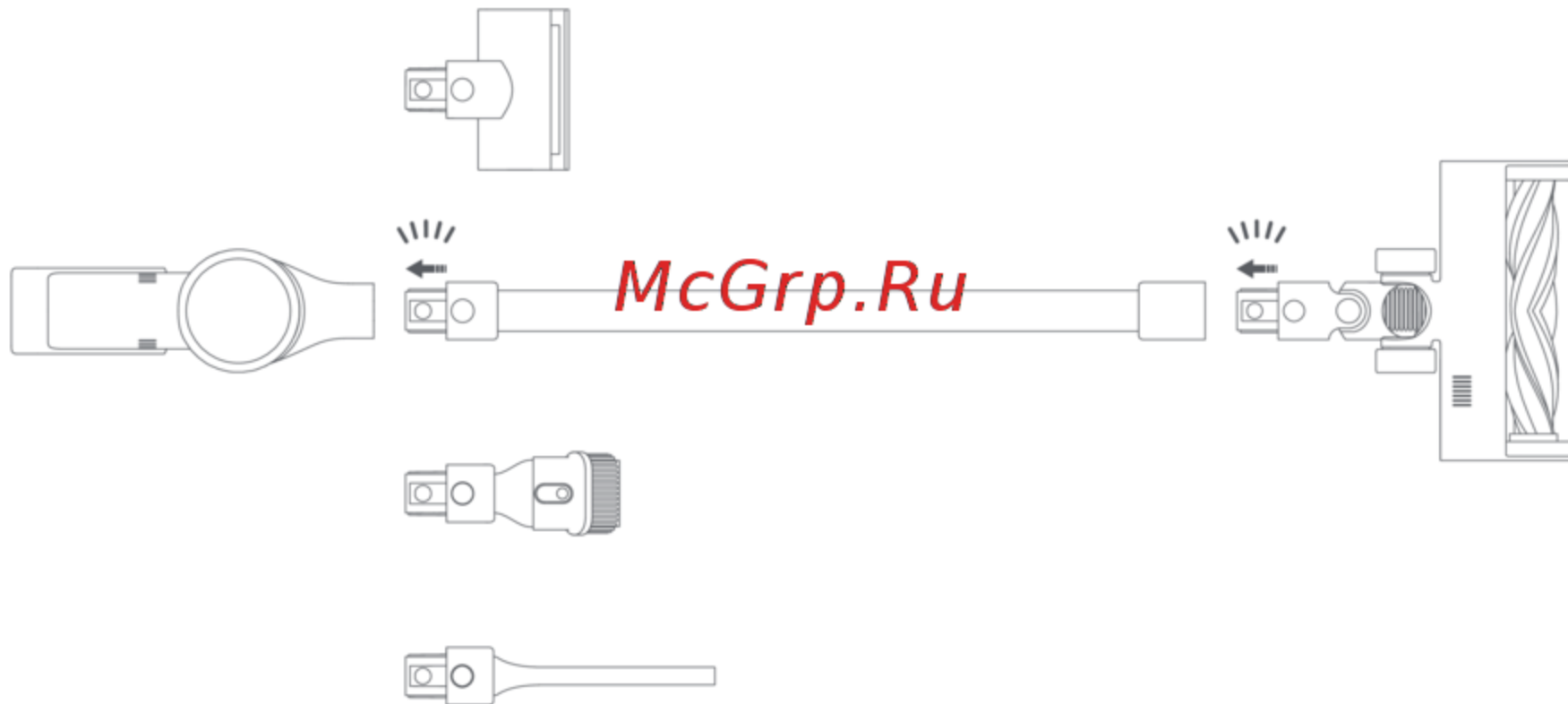


Hinweis: Wenn beim Staubsauger eine Fehlfunktion auftritt, wird auf dem Bildschirm eine Fehlermeldung angezeigt. Konsultieren Sie den Abschnitt „Fehlerbehebung“, um eine Lösung zu finden.

## Installation

### Installation des Zubehörs am Staubsauger

 Hineinstecken, bis ein Klick ertönt

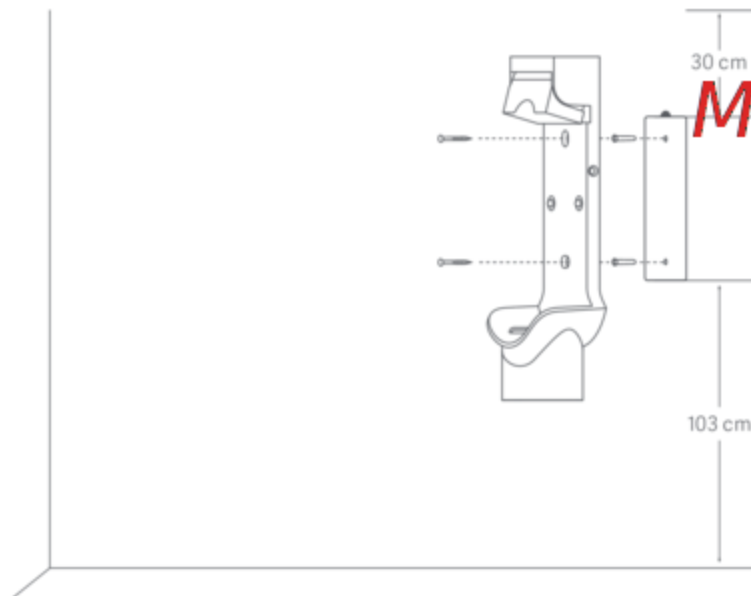


Hinweis: Die elektrische Mini-Bürste sollte nicht mit dem Verlängerungsrohr verwendet werden.

<https://mcgrp.ru/>

## Installation der 2-in-1 Lade- und Aufbewahrungshalterung

1. Die 2-in-1 Lade- und Aufbewahrungshalterung sollte an einem kühlen, trockenen Ort in der Nähe einer Steckdose installiert werden. Vor der Installation sollten Sie sicherstellen, dass sich in dem Raum direkt hinter der Wandoberfläche, an der die Halterung installiert werden soll, keine Kabel oder Drähte befinden.
2. Der untere Rand des Montagevorlage-Aufklebers sollte mindestens 1,03 m über dem Boden und parallel zum Boden sein, und über dem oberen Rand sollte mindestens 30 cm Platz sein.
3. Verwenden Sie eine Bohrmaschine mit einem 8-mm-Bohrer, um ein Loch in jede Lochmarkierung auf dem Montageschablone-Aufkleber zu bohren, und setzen Sie dann in jedes Loch einen Dübel ein.
4. Richten Sie die Befestigungslöcher der 2-in-1 Lade- und Aufbewahrungshalterung mit den Löchern an der Wand aus und befestigen Sie die Halterung dann mit den mitgelieferten Schrauben an der Wand.



Empfohlene Höhe: Mindestens 1,03 m über dem Boden



## Ladevorgang

### Akkustandanzeige

Hinweis: ○ bedeutet aus, ● bedeutet ein und ☼ bedeutet blinken.

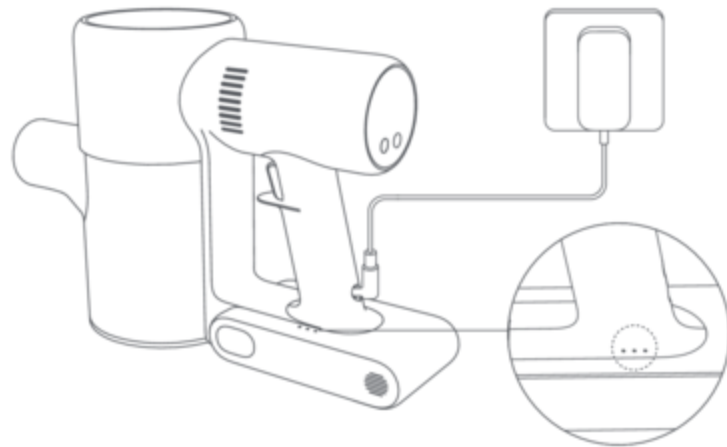
☼ ○ ○ Niedriger Akkustand      ● ● ☼ Fast voll  
● ☼ ○ Akkuladestatus 50 %      ● ● ● Voll aufgeladen

Wenn der Staubsauger vollständig geladen ist, schaltet sich die Anzeige nach 5 Minuten ab und das Gerät wird in den Energieeinsparmodus versetzt.

### Bildschirm

Die Zahl auf dem Anzeigebildschirm stellt den aktuellen Akkustand während des Ladevorgangs in Prozent dar. Der Akku ist vollständig aufgeladen, wenn die Anzeige auf 100 steht.

Wenn der Handstaubsauger aufgeladen wird, können Sie die Ein-/Aus-Taste drücken, um das Display zu aktivieren und den aktuellen Ladezustand zu überprüfen.

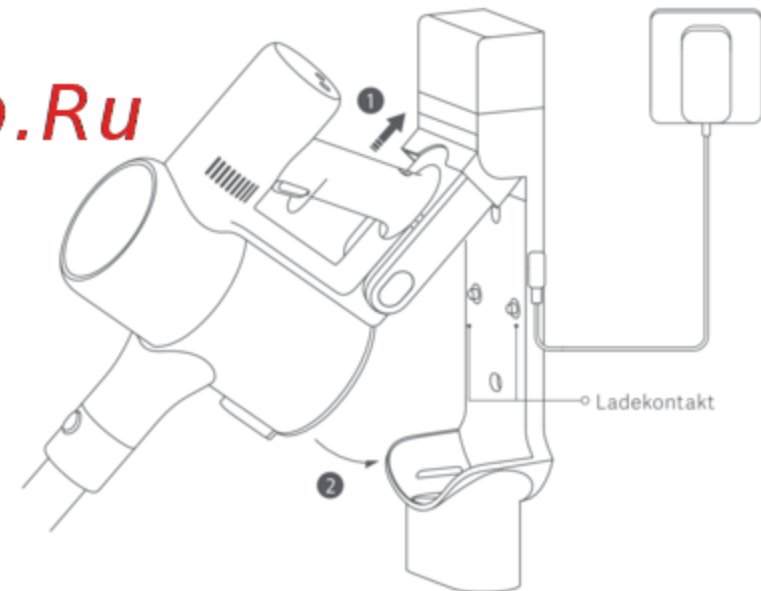


Akkustandanzeige

Laden des Staubsaugers mit dem Ladegerät

### Hinweise:

- Vor der erstmaligen Benutzung sollte der Staubsauger voll aufgeladen werden. Dies dauert etwa 4 Stunden.
- Der Staubsauger kann während des Ladens nicht benutzt werden.
- Wird der Staubsauger auf der höchsten Saugstufe über längere Zeit benutzt, führt dies zu einer Erhitzung der Batterie, wodurch sich die Ladezeit verlängern kann. Bevor Sie den Staubsauger aufladen, sollte er am besten 30 Minuten lang abkühlen.



Laden des Staubsaugers in der Ladehalterung

## Benutzung

### Umschalten der Saugstufen

Drücken Sie die -Taste, um zwischen den Saugstufen Eco, Auto und Turbo des Staubsaugers zu wechseln. Die entsprechende Saugstufe-Kontrollleuchte wird auf der Anzeige hervorgehoben.

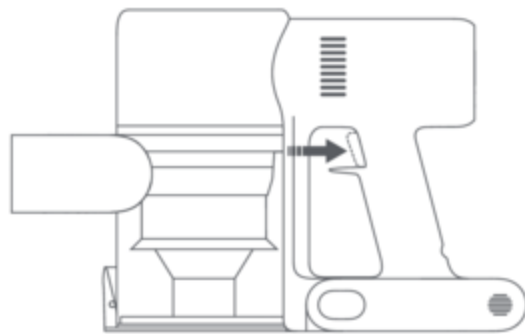
Hinweis: Nach dem Aus- und Wiedereinschalten des Staubsaugers ist die zuletzt verwendete Saugstufe eingestellt.

### Arbeitsmodi

Der Staubsauger verfügt über zwei Arbeitsmodi, die Sie je nach Ihrem Reinigungsbedarf auswählen können.

#### • Manueller Modus

Halten Sie die Ein-/Ausschalttaste gedrückt, um den Staubsauger zu starten und lassen Sie diese los, um ihn zu stoppen.



Manueller Modus

#### • Dauermodus

Drücken Sie die Taste , um den Dauermodus zu aktivieren, und drücken Sie dann die Ein-/Ausschalttaste, um den Staubsauger einzuschalten. Um den Dauermodus zu beenden, drücken Sie die Taste .

Durch die Aktivierung des Dauerbetriebs kann der Staubsauger kontinuierlich betrieben werden, ohne dass Sie die Ein-/Ausschalttaste mit Ihren Fingern gedrückt halten müssen.



Dauermodus

#### Hinweise:

- Wenn sich der Staubsauger im Dauermodus befindet, wird er in den Bereitschaftsmodus versetzt, wenn die Ein-/Ausschalttaste gedrückt wird. Er wird erneut gestartet, wenn Sie die Ein-/Ausschalttaste wieder drücken.
- Wenn sich der Staubsauger für mehr als 10 Sekunden im Bereitschaftsmodus befindet, wird der Anzeigebildschirm abgeschaltet und der Staubsauger deaktiviert den Dauermodus.

## Benutzung verschiedener Zubehörteile

Hochleistungs-Bürstenrolle: Zur Reinigung verschiedener Arten von Bodenbelägen wie zum Beispiel Holz, Marmor, Fliesen und Florteppichen ausgelegt.

Hinweis: Die Hochleistungs-Bürstenrolle kann direkt am Staubsauger angebracht werden.



Elektrische Mini-Bürste: Zum Aufsaugen von Schmutz, Tierhaaren und anderen hartnäckigen Ablagerungen von Sofas, Bettzeug und anderen Textiloberflächen.

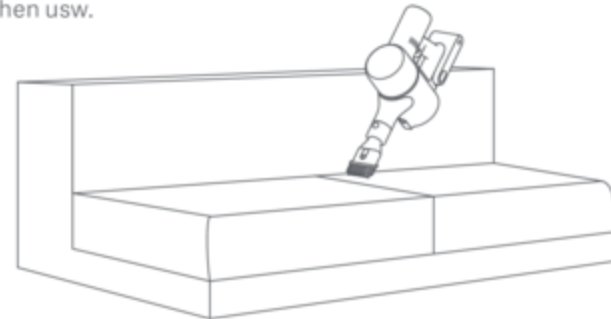


**McGrp.Ru**

Spaltendüse: Zum Saugen von engen Spalten und Bereichen um Türen, Fenster, Fußleisten, Ecken, Treppen usw.



2-in-1 Bürstendüse: Zum Saugen von Vorhängen, Sofas, Fahrzeuginnenräumen, Couchtischen usw.



Hinweise:

- Wenn ein rotierendes Teil stecken bleibt, kann es passieren, dass der Staubsauger sich automatisch abschaltet. Entfernen Sie dann etwaige eingeklemmte Fremdkörper und setzen Sie die Benutzung fort.
- Wenn der Überhitzungsschutz für den Akku ausgelöst wird, schaltet sich der Staubsauger automatisch ab. Bitte warten Sie, bis sich die Temperatur des Akkus normalisiert hat, und setzen Sie erst dann die Benutzung fort.

## Benutzung der Wischfunktion

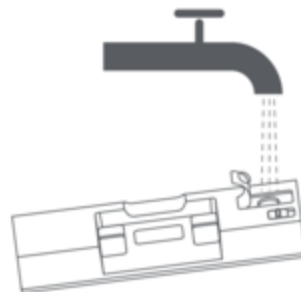
Hinweise:

- Vermeiden Sie es, auf den Wasserbehälter zu treten, da dieser dadurch dauerhaft beschädigt werden könnte.
- Stark verschmutzte Böden sollten vor dem Wischen gesaugt werden, um ein besseres Ergebnis zu erzielen.
- Die Wischfunktion darf nicht auf Teppichen verwendet werden.
- Verwenden Sie keine Reinigung- oder Desinfektionsmittel.

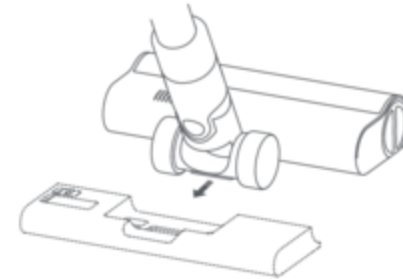
1. Befeuchten Sie das Wischer-Pad und wringen Sie überschüssiges Wasser aus. Befestigen Sie das Wischer-Pad anschließend sicher am Boden des Wasserbehälters.



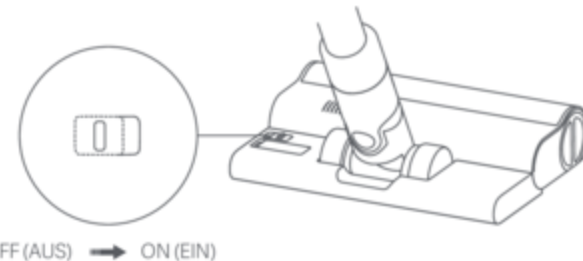
2. Öffnen Sie den Deckel des Wasserbehälters, füllen Sie eine angemessene Menge sauberen Wassers ein und schließen Sie den Deckel wieder.



3. Befestigen Sie die Hochleistungs-Bürstenleiste am Wasserbehälter, indem Sie die darauf befindlichen Magneten ausrichten, bis sie zusammenschnappen.



4. Diese Funktion ist für das Staubsaugen und Wischen von Holz- und Steinböden vorgesehen.



Hinweise:

- Das Kugelventil des Wasserbehälters steuert, wie viel Wasser abgegeben wird. Die Kugel ist beweglich und kann beim Starten und Stoppen ein Rollgeräusch verursachen. Dies ist normal.
- Wenn das Gerät nicht verwendet wird, sollte der Schalter auf die Position OFF (AUS) gestellt sein.

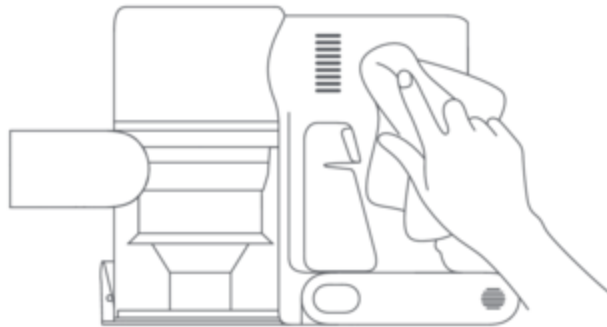
## Pflege und Wartung

### Sicherheitsregeln für die Wartung

- Verwenden Sie stets Originalteile, um ein Erlöschen der Garantie zu vermeiden.
- Falls der Filter, das Verlängerungsrohr oder die Hochleistungs-Bürstenrolle sich verstopfen, wird der Staubsauger nach kurzer Zeit abgeschaltet. Um die Funktionsfähigkeit wiederherzustellen, muss das verstopfte Teil gesäubert werden.
- Wenn der Staubsauger für eine längere Zeit nicht benutzt werden wird, laden Sie ihn voll auf, trennen Sie ihn vom Netz und lagern ihn an einem kühlen und trockenen Ort ohne direkte Sonneneinstrahlung. Um eine Tiefentladung des Akkus zu vermeiden, sollte der Staubsauger mindestens einmal alle drei Monate aufgeladen werden.

### Reinigung des Staubsaugers

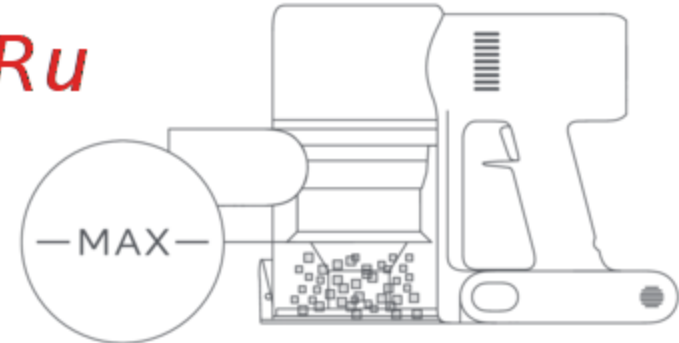
Reinigen Sie den Staubsauger mit einem weichen trockenen Tuch.



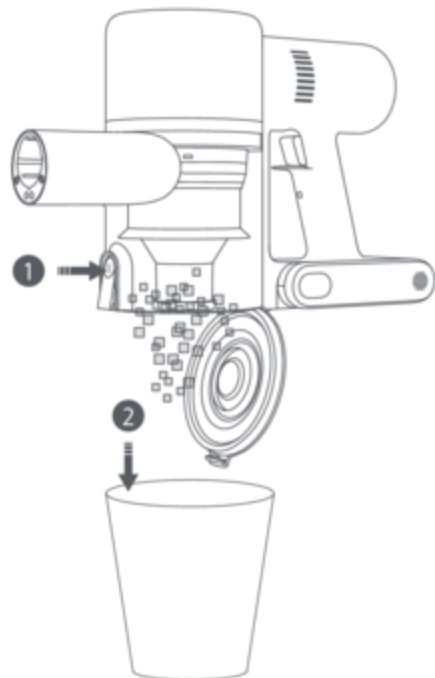
### Reinigung des Staubbehälters, des Vorfilters und der Zyklon-Baugruppe

1. Die Reinigungsleistung des Staubsaugers reduziert sich, wenn der Staubbehälter bis zur „MAX“-Markierung gefüllt ist. Um die volle Reinigungsleistung wiederherzustellen, sollten Sie den Staubbehälter rechtzeitig leeren. Bevor Sie den Staubbehälter leeren, sollten Sie sicherstellen, dass der Staubsauger von der Stromversorgung getrennt ist. Vermeiden Sie es außerdem, die Einschalttaste zu drücken.

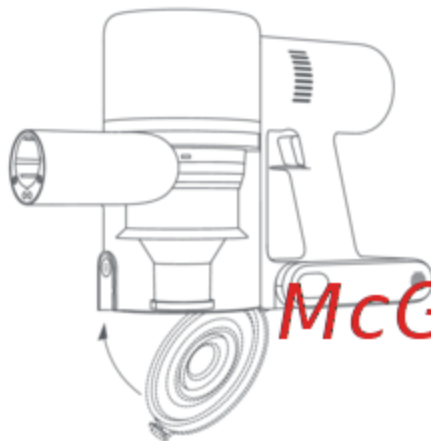
*McGrp.Ru*



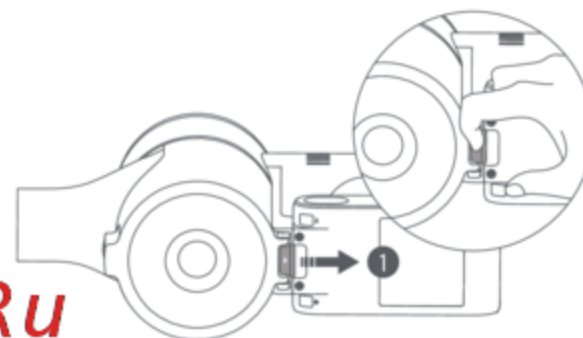
2. Drücken Sie die Freigabetaste der Bodenabdeckung des Staubbehälters und entleeren Sie dann den Inhalt.



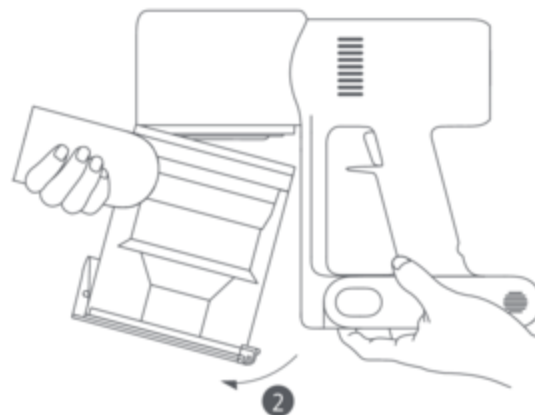
3. Ziehen Sie den Entriegelungsschalter für den Staubbehälter in die in Abbildung 1 gezeigte Richtung und nehmen Sie den Staubbehälter aus dem Staubsauger, wie in Abbildung 2 gezeigt.



*McGrp.Ru*

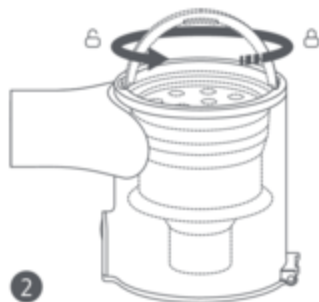


Freigabetaste des Staubbehälters



4. Entfernen Sie die zunächst den Vorfilter, heben Sie dann den Griff der Zyklon-Baugruppe an und drehen Sie ihn gegen den Uhrzeigersinn bis zum Anschlag. Anschließend können Sie die Zyklon-Baugruppe herausheben.

5. Spülen Sie den Vorfilter, die Zyklon-Baugruppe und den Staubbehälter mit Wasser, bis sie sauber sind, und legen Sie dann alle Komponenten mindestens 24 Stunden lang zum gründlichen Trocknen beiseite.



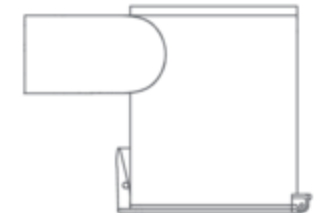
**McGrp.Ru**



Vorfilter



Zyklon-Baugruppe

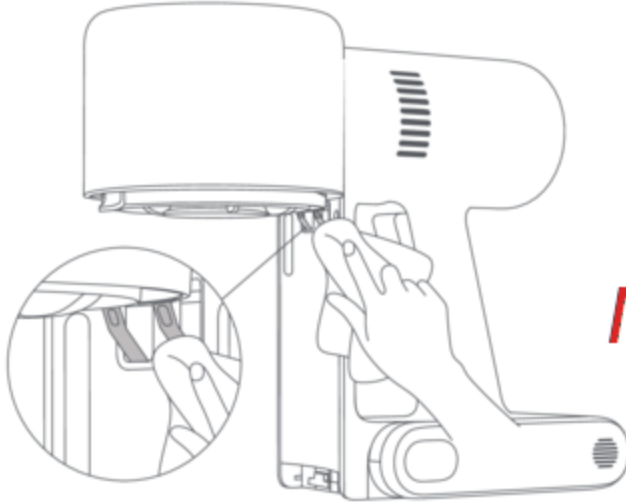


Staubbehälter

Hinweise:

- Der Staubbehälter sollte mindestens einmal im Monat ausgespült werden.
- Der Vorfilter und die Zyklon-Baugruppe sollten mindestens einmal alle 3 bis 4 Monate gesäubert werden.

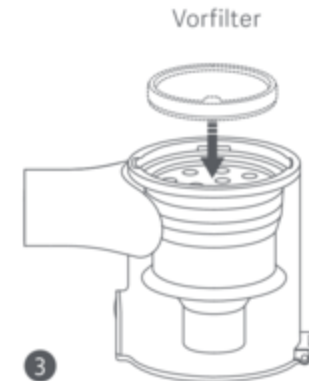
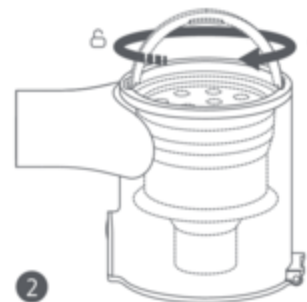
6. Reinigen Sie die Kontaktpunkte des Staubsaugers mit einem weichen trockenen Tuch, wenn diese schmutzig sind.



## Installation des Staubbehälters, des Vorfilters und der Zyklon-Baugruppe

1. Setzen Sie die Zyklon-Baugruppe vertikal in den Staubbehälter ein und vergewissern Sie sich, dass der Griff der Zyklon-Baugruppe korrekt mit dem Schlitz auf der linken Seite des Staubbehälters ausgerichtet ist. Drehen Sie den Griff im Uhrzeigersinn, bis er einrastet, und klappen Sie dann den Griff nach unten.
2. Setzen Sie den Vorfilter mit der Vorderseite nach oben in die Zyklon-Baugruppe ein.

*McGrp.Ru*



### Hinweise:

- Benutzen Sie bei der Reinigung des Staubbehälters keine Reinigungsmittel, Politur oder Lufterfrischer.
- Staubbehälter, Vorfilter und Zyklon-Baugruppe dürfen nicht in einer Spülmaschine oder einer Waschmaschine gereinigt werden. Die Trocknung dieser Komponenten in einem Wäschetrockner, Ofen, einer Mikrowelle oder in der Nähe eines offenen Feuers ist ebenfalls verboten.



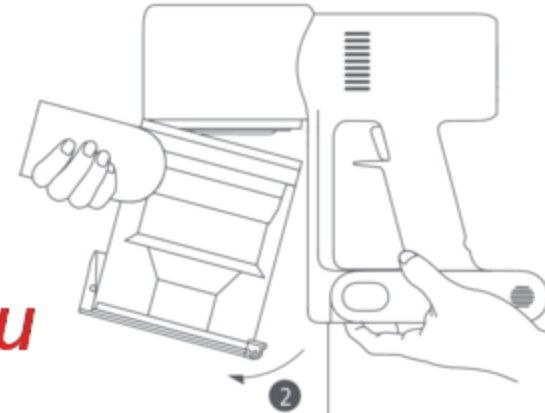
3. Neigen Sie den Staubbehälter leicht, so dass der Schlitz mit dem Clip am Staubsauger ausgerichtet ist. Schieben Sie den Staubbehälter dann vorsichtig hinein, bis er einrastet.



Hineinstecken, bis ein Klick ertönt

## Reinigung des Filters

1. Entfernen Sie den Staubbehälter wie in der Abbildung dargestellt.

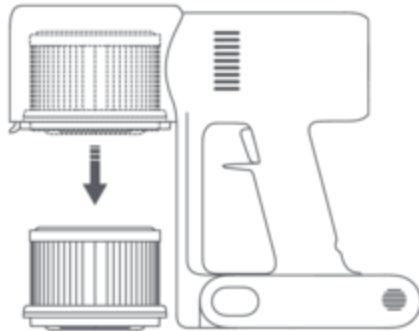


Freigabetaste des Staubbehälters

### Hinweise:

- Der Filter sollte alle 4 bis 6 Monate gereinigt werden.
- Es wird empfohlen, den Filter alle 6 bis 12 Monate zu ersetzen, je nachdem, wie stark der Filter beansprucht ist.

2. Entfernen Sie den Filter aus dem Staubsauger, indem Sie ihn in die in der Abbildung gezeigten Richtung nach unten ziehen.



4. Lassen Sie den Filter mindestens 24 Stunden lang gründlich trocknen.



3. Reinigen Sie den Filter mit sauberem Wasser. Achten Sie darauf, dass Sie den Filter um 360° drehen, um den gesamten im Filter aufgefangenen Schmutz gründlich zu entfernen. Klopfen Sie mehrmals leicht auf den Filter, um vorhanden Schmutz zu entfernen.

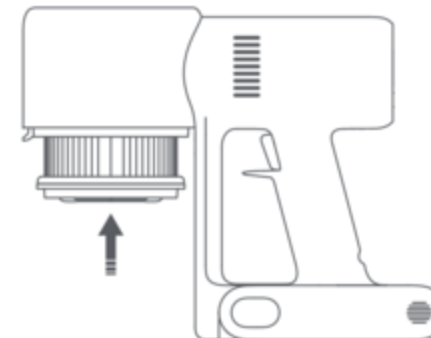
**McGrp.Ru** Installation des Filters

1. Setzen Sie den Filter in den Staubsauger ein und drücken Sie vorsichtig auf ihn, wie in der Abbildung gezeigt.



Hinweise:

- Säubern Sie den Filter ausschließlich mit sauberem Wasser. Verwenden Sie keine Reinigungsmittel.
- Versuchen Sie nicht, den Filter mit einer Bürste oder einem Finger zu reinigen.



## 2. Wiedereinbau des Staubbehälters.



Hineinstecken, bis ein Klick ertönt

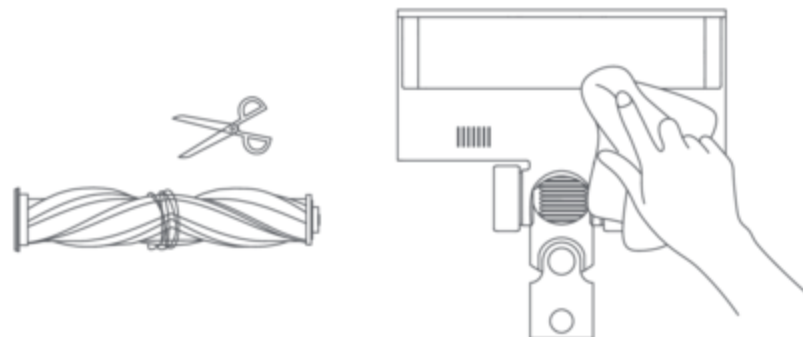
## Säuberung der Hochleistungs-Bürstenrolle

1. Drehen Sie die Verriegelung gegen den Uhrzeigersinn bis zum Anschlag und nehmen Sie dann die Rollenbürste von der Hochleistungs-Bürstenrolle ab.



**McGrp.Ru**

2. Verwenden Sie eine Schere, um Haare oder andere Fremdkörper, die sich um die Rollbürste verfangen haben, abzuschneiden und herauszupicken. Wischen Sie überschüssigen Staub vom Schlitz und der durchsichtigen Plastikabdeckung mit einem trockenen Tuch oder Papiertuch ab.

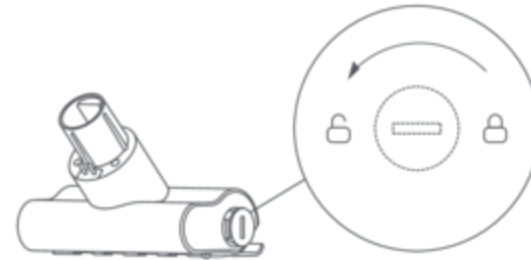


3. Nach längerem Gebrauch kann die Rollenbürste verschmutzt sein und sollte gewaschen werden. Nach der Wäsche sollten Sie die Rollenbürste mindestens 24 Stunden in einem gut belüfteten Raum aufrecht stehen lassen, um sie gründlich zu trocknen.




### Reinigung der elektrischen Mini-Bürste

1. Drehen Sie mit Hilfe eines passenden Werkzeugs die Verriegelung gegen den Uhrzeigersinn bis zum Klick.



**McGrp.Ru**

4. Vergewissern Sie sich, dass die Walzenbürste vollständig getrocknet ist, und richten Sie die Verriegelung an der Oberseite der Walzenbürste mit  aus, um sie wieder einzusetzen. Drehen Sie die Verriegelung im Uhrzeigersinn auf , um die Walzenbürste an ihrem Platz zu installieren.

2. Nachdem Sie Rollenbürste entriegelt haben, entfernen Sie diese von der elektrischen Mini-Bürste. Spülen und reinigen Sie die Rollenbürste.

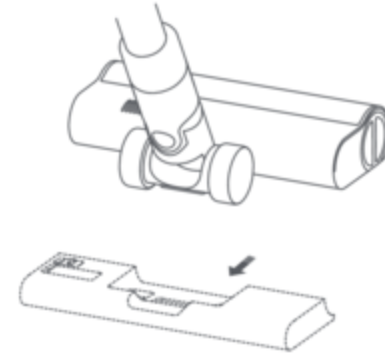


3. Nach der Wäsche sollten Sie die Rollenbürste mindestens 24 Stunden in einem gut belüfteten Raum aufrecht stehen lassen, um sie gründlich zu trocknen.



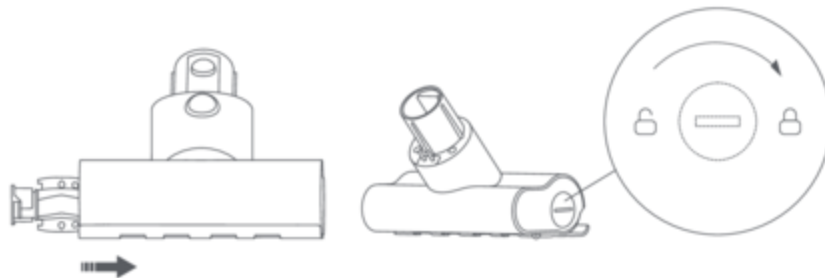
### Reinigung des Wasser-Behälters und des Wischer-Pads

1. Schieben Sie den Wasserbehälter nach unten, um ihn von der Hochleistungs-Bürstenleiste zu trennen.

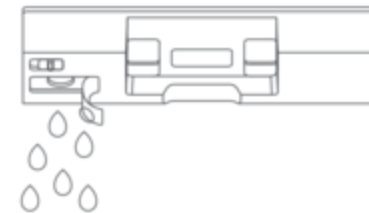


**McGrp.Ru**

4. Nachdem die Rollenbürste getrocknet ist, montieren Sie diese erneut, indem Sie die Ausbau-Schritte in umgekehrter Reihenfolge durchführen.



2. Leeren Sie den Wasserbehälter.



3. Entfernen Sie das Wischer-Pad vom Wasserbehälter.



4. Reinigen und trocknen Sie das Wischer-Pad.



Hinweise:

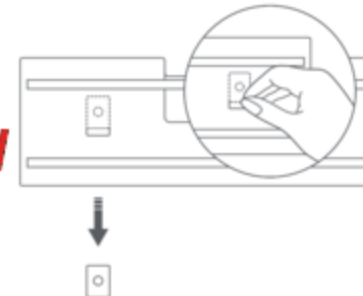
- Wenn der Staubsauger gerade aufgeladen wird oder nicht in Gebrauch ist, entfernen Sie den Wasserbehälter und lassen Sie das restliche Wasser ab, um Schimmel und unangenehme Gerüche zu vermeiden.
- Nach dem Wischen sollten Sie das Wischer-Pad entfernen und reinigen, um zu verhindern, dass der Wasserauslass durch schmutziges Wasser verstopft wird. Ein abgenutztes oder beschädigtes Wischer-Pad, das sich nicht mehr am Wasserbehälter befestigen lässt, sollte ersetzt werden, um eine optimale Reinigungsleistung zu gewährleisten.

## Wasserauslassfilter

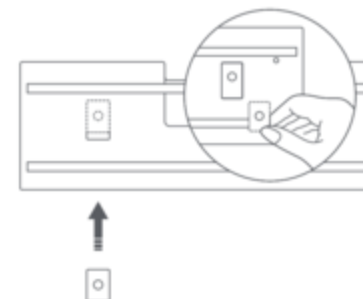
Der Filter des Wasserauslasses sollte ausgetauscht werden, wenn der Wasserbehälter Wasser zu langsam abgibt oder verstopft ist.

Um eine optimale Wischeffektivität zu gewährleisten, wird empfohlen, die Filter des Wasserauslasses je nach Wasserqualität und Benutzungshäufigkeit alle 3 bis 6 Monate zu ersetzen.

1. Schieben Sie mit den Fingern den alten Wasserauslassfilter links und rechts an den Schlitzen heraus.



2. Setzen Sie die neuen Filter für den Wasserauslass ein und prüfen Sie, ob sie korrekt installiert sind.

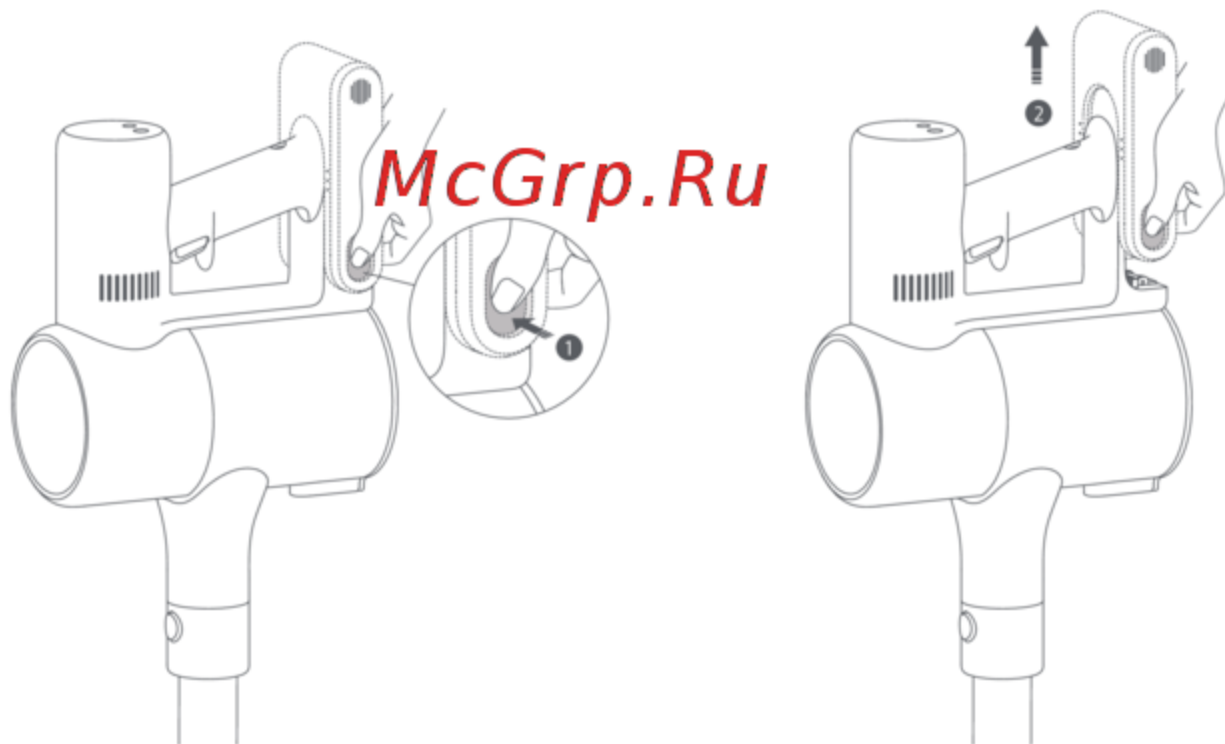


*McGrp.Ru*

## Akku

Der Staubsauger enthält einen herausnehmbaren, wiederaufladbaren Lithium-Ionen-Akku, der eine begrenzte Anzahl von Ladezyklen hat. Nach längerem Gebrauch kann es geschehen, dass der Akku keine Ladung mehr hält. Wenn dies geschieht, bedeutet dies, dass der Akku das Ende seiner Lebensdauer erreicht hat und ersetzt werden muss.

1. Drücken Sie den Entriegelungsknopf des Akkus nach unten und schieben Sie den Akku, wie in der Abbildung gezeigt, nach rechts, um ihn zu entfernen.
2. Installation des neuen Akkus.



## Spezifikationen

Kabelloser Staubsauger			
Modell	B207	Nennspannung	25,2 V ---
Ladespannung	30,8 V ---	Akkukapazität	3000 mAh (Nennkapazität) 2800 mAh ( Sollkapazität)
Nennleistung	425 W	Kapazität Staubbehälter	0,6 l
Ladedauer	Ca. 4 Stunden	Nettogewicht	1,7 kg
Artikelmaße	1286 × 214 × 256 mm	Nettogewicht (mit Zubehör)	4,2 kg
Hochleistungs-Bürstenrolle		Elektrische Mini-Bürste	
Modell	VMH1	Modell	VTV104B
Nennleistung	40 W	Nennleistung	20 W
Nennspannung	25,2 V ---	Nennspannung	25,2 V ---
Ladegerät			
Hersteller	Zhongshan Baolijin Electronic Co., Ltd.	Durchschnittliche aktive Effizienz	87,5 %
Modell	BLJ24W308080P-V	Effizienz bei geringer Last (10%)	77,9 %
Eingang	100-240 V ~ 50/60 Hz 0,8 A	Stromverbrauch im lastfreien Zustand	0,10 W
Ausgang	30,8 V --- 0,8 A		
Wiederaufladbarer Lithium-Ionen-Akku			
Modell	V2210-7S1P-BCA/V2210-7S1P-BWA	Nennkapazität	3000 mAh
Nennspannung	25,2 V ---	Sollkapazität	2800 mAh
Energie	70,56 Wh		



## Informationen zur Einhaltung gesetzlicher Vorschriften

---

### EU-Konformitätserklärung



Wir, Dreame (Tianjin) Information Technology Co., Ltd., bestätigen hiermit, dass dieses Gerät mit den geltenden Verordnungen und europäischen Normen sowie etwaigen Ergänzungen in Einklang steht. Der vollständige Wortlaut der EU-Konformitätserklärung ist unter der folgenden Internetadresse abrufbar: <http://www.mi.com/global/service/support/declaration.html>  
Ein detailliertes elektronisches Handbuch finden Sie unter [www.mi.com/global/service/userguide](http://www.mi.com/global/service/userguide)

### WEEE-Informationen



Ile mit diesem Symbol gekennzeichneten Produkte sind Elektroschrott und Elektrogeräte (WEEE entsprechend EU-Richtlinie 2012/19/EU) und dürfen nicht mit unsortiertem Haushaltsmüll vermisch werden. Schützen Sie stattdessen Ihre Mitmenschen und die Umwelt, indem Sie Ihre zu entsorgenden Geräte an eine dafür vorgesehene, von der Regierung oder einer lokalen Behörde eingerichtete Sammelstelle zum Recycling von Elektroschrott und Elektrogeräten bringen. Eine ordnungsgemäße Entsorgung und Recycling helfen, negative Auswirkungen auf die Gesundheit von Umwelt und Menschen zu vermeiden. Wenden Sie sich bitte an den Installateur oder lokale Behörden, um Informationen zum Standort und den allgemeinen Geschäftsbedingungen solcher Sammelstellen zu erhalten.

*McGrp.Ru*

### Akku-Vorsichtsmaßnahmen





- Der Lithium-Ionen-Akku enthält umweltgefährdende Stoffe. Bevor der Staubsauger entsorgt wird, muss zunächst der Akku entfernt werden, anschließend muss in Übereinstimmung mit den lokalen Gesetzen und Vorschriften des Landes oder der Region, in dem er benutzt wurde, eine Entsorgung oder Wiederverwertung stattfinden.
- Bei missbräuchlicher oder unsachgemäßer Behandlung kann Flüssigkeit aus dem Akku austreten. Vermeiden Sie den Kontakt mit der Flüssigkeit, da diese zu Reizungen oder Verbrennungen führen kann. Falls ein Kontakt erfolgt, sollten Sie die entsprechende Stelle mit Wasser abspülen. Falls Flüssigkeit in die Augen gelangt, sollten Sie unbedingt medizinische Hilfe aufsuchen.

## Fehlerbehebung

Problem	Mögliche Ursache	Lösung
Der Staubsauger funktioniert nicht.	Der Akku ist leer oder fast leer.	Laden Sie den Staubsauger vollständig auf und versuchen Sie es erneut.
	Durch eine Blockade wurde der Überhitzungsschutz ausgelöst.	Beseitigen Sie eventuelle Blockierungen und starten Sie den Staubsauger erneut, wenn er abgekühlt ist.
	Die Saugöffnung oder der Strömungsweg ist blockiert.	Befreien Sie die Ansaugöffnung oder den Strömungsweg von etwaigen Hindernissen.
Die Saugleistung ist reduziert.	Der Staubbehälter ist voll und/oder der Filter ist verstopft.	Leeren Sie den Staubbehälter und reinigen Sie den Filter.
	Die Hochleistungs-Bürstenrolle, das Verlängerungsrohr oder andere Teile sind verstopft.	Entfernen Sie etwaige Verstopfungen aus der Hochleistungs-Bürstenrolle, dem Verlängerungsrohr oder anderen Teilen.
Der Motor gibt ein merkwürdiges Geräusch ab.	Die Hauptsaugöffnung oder das Verlängerungsrohr ist verstopft.	Entfernen Sie Verstopfungen aus der Hauptsaugöffnung oder dem Verlängerungsrohr.
Das erste Anzeigelicht ist nach Einschalten des Staubsaugers rot.	Der Akku ist beschädigt.	Wenden Sie sich bitte an den Kundendienst, um eine Wartung zu veranlassen.
Das erste Anzeigelicht blinkt beim Laden des Staubsaugers rot.	Das Ladegerät ist nicht kompatibel.	Benutzen Sie ausschließlich das Original-Ladegerät, um den Staubsauger aufzuladen.
Die Akku-Anzeige leuchtet während des Ladevorgangs nicht auf.	Das Ladegerät ist nicht mit dem Staubsauger verbunden.	Vergewissern Sie sich, dass das Ladegerät richtig eingesteckt ist.
	Der Akku ist vollständig geladen und ist in den Energiesparmodus gewechselt.	Der Staubsauger kann normal benutzt werden.
	Wenn die beiden vorstehend genannten Möglichkeiten ausgeschlossen worden sind und das Problem weiter besteht, wenden Sie sich bitte an den Kundendienst, um Hilfe zu erhalten.	
Der Akku wird nur langsam geladen.	Die Temperatur des Akkus ist zu hoch oder zu niedrig.	Warten Sie, bis die Akkutemperatur sich normalisiert hat und setzen Sie dann die Benutzung fort.
Der Wasserbehälter gibt kein Wasser ab oder gibt das Wasser nur langsam ab.	Der Filter des Wasserauslasses ist verstopft.	Reinigen oder ersetzen Sie den Filter des Wasserauslasses.
	Das Wischer-Pad ist verschmutzt.	Reinigen oder ersetzen Sie das Wischer-Pad.

## Fehler-Symbol

Wenn der Staubsauger nicht ordnungsgemäß funktioniert, zeigt die Bildschirmanzeige einen Fehlercode an. In der folgenden Tabelle können Sie anhand der Fehlermeldung die Lösung finden.

Fehler-Symbol	Fehlermeldung	Lösung
	Strömungsweg blockiert	Prüfen Sie den Staubbehälter, das Verlängerungsrohr und die Hochleistungs-Bürstenrolle auf etwaige Verstopfungen.
	Der Rollenbürste klemmt ist blockiert	Unter „Reinigung der Hochleistungs-Bürstenrolle“ im Abschnitt „Pflege und Wartung“ finden Sie Anweisungen zur Entfernung von Haaren und anderen Verschmutzungen, die sich in der Rollenbürste gefangen haben.
	Hochtemperaturalarm	Warten Sie, bis die Akkutemperatur sich normalisiert hat, bevor Sie die Benutzung fortsetzen.
	Filter ist nicht installiert	Vergewissern Sie sich, dass der Filter und der Vorfilter korrekt installiert sind.
Wenn einer der Fehlercodes von E0 bis E4 auf der Anzeige erscheint, wenden Sie sich bitte zur Reparatur an den Kundendienst.		

## Instrucciones de seguridad

---

Este producto es exclusivo para uso doméstico. Lea detenidamente este manual antes de usar el producto y consérvelo para futuras consultas.

Este aparato puede ser utilizado por niños de 8 años en adelante y por personas con capacidades sensoriales, mentales o físicas reducidas o con falta de experiencia, siempre y cuando estén bajo la supervisión de un adulto, se les haya proporcionado instrucciones sobre el uso del producto y se les haya advertido de los riesgos implícitos. Los niños no deben jugar con el aparato. La limpieza y el mantenimiento por parte del usuario no deben realizarse por niños sin supervisión de un adulto.

No utilice el producto a una temperatura ambiente inferior a 5 °C o superior a 38 °C ni en un suelo con líquidos o sustancias pegajosas.

Si se daña el cargador o el pack de la batería, deberá ser sustituido por un cordón o conjunto especial disponible a través del fabricante o en su servicio técnico.

Para reducir los riesgos de incendio, explosión o lesión personal, compruebe que la batería de iones de litio y el cargador no presenten daños antes de usar el producto. No utilice la aspiradora si la batería o el cargador presenta algún daño.

Utilice la aspiradora únicamente sobre superficies secas de interior. No monte, cargue ni utilice el producto en exteriores, cuartos de baño o cerca de piscinas.

No toque el enchufe ni ninguna otra parte de la aspiradora con las manos mojadas.

La barra del cepillo de alto par, el minicepillo eléctrico, la batería, la barra de extensión y la aspiradora son conductores eléctricos, por lo que no se deben sumergir en agua ni en ningún líquido. Asegúrese de que todas las piezas están completamente secas después de limpiarlas.

Para evitar lesiones provocadas por piezas móviles, apague la aspiradora antes de limpiar la barra del cepillo de alto par y el minicepillo eléctrico. La barra del cepillo de alto par, el compartimento para el polvo y el filtro deben estar bien instalados antes de usar la aspiradora.

No utilice la aspiradora para recoger líquidos inflamables o combustibles, como gasolina, lejía, amoníaco o limpiadores de desagüe; ni otros líquidos, como el agua.

No utilice la aspiradora para recoger partículas de yeso, cenizas (como las de la chimenea) o materiales humeantes o combustibles (como carbón, colillas de cigarrillos o cerillas).

No utilice la aspiradora para recoger objetos afilados o duros, como vidrio, clavos, tornillos o monedas, que puedan dañar el producto.

Mantenga el cabello, la ropa suelta, los dedos y todas las partes del cuerpo lejos de las aberturas y las partes móviles de la aspiradora. No apunte la abertura de succión, la barra de extensión ni ningún otro accesorio a sus ojos u oídos, ni se los ponga en la boca.

No meta ningún objeto en las aberturas de la aspiradora, ni utilice la aspiradora en caso de que tenga alguna abertura bloqueada. Mantenga el producto libre de polvo, pelusas, pelos y otros elementos, ya que podrían reducir el flujo de aire.

No apoye la aspiradora en sillas, mesas ni en superficies poco estables ya que se podría dañar el producto o provocar lesiones personales. Si la aspiradora no funciona correctamente debido a que se ha caído o dañado, póngase en contacto con el departamento de servicio técnico autorizado. No intente desmontar la aspiradora por su cuenta.

La tapa del compartimento para el polvo, el prefiltro, el ciclón y el filtro deben estar bien instalados antes de usar la aspiradora. Asegúrese de que el cargador esté desenchufado cuando no se utilice durante periodos prolongados, así como antes de realizar cualquier tipo de mantenimiento o reparación.

Tenga especial cuidado al usar la aspiradora para limpiar escaleras.

Advertencia sobre peligros de incendio: No aplique ningún tipo de fragancia al filtro de la aspiradora. Se sabe que estos tipos de productos contienen productos químicos inflamables que pueden hacer que la aspiradora se incendie.

NO exponga la batería ni el aparato al fuego, ya que podría provocar una explosión.

NO exponga ni sumerja la batería ni el aparato en agua, agua salada ni otros líquidos.

ADVERTENCIA: No utilice baterías ni cargadores de otros fabricantes.

Utilice sólo con el cargador BLJ24W308080P-V.

Utilice sólo con la batería V2210-7S1P-BCA/V2210-7S1P-BWA.

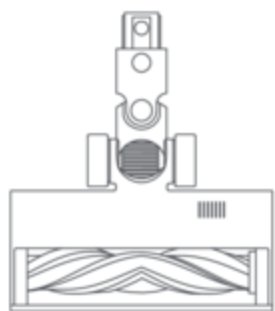
Utilice este producto según las instrucciones del Manual del usuario. Los usuarios son responsables de cualquier pérdida o daño que surja por el uso incorrecto de este producto.

## Descripción del producto

### Lista de accesorios



Barra de extensión



Barra del cepillo de alto par



Boquilla para Hard Floors



Cargador



Soporte de carga y almacenamiento 2 en 1  
(incluye 2 tornillos, 2 tacos y una plantilla de montaje adhesiva)



Minicepillo eléctrico



Boquilla del cepillo 2 en 1



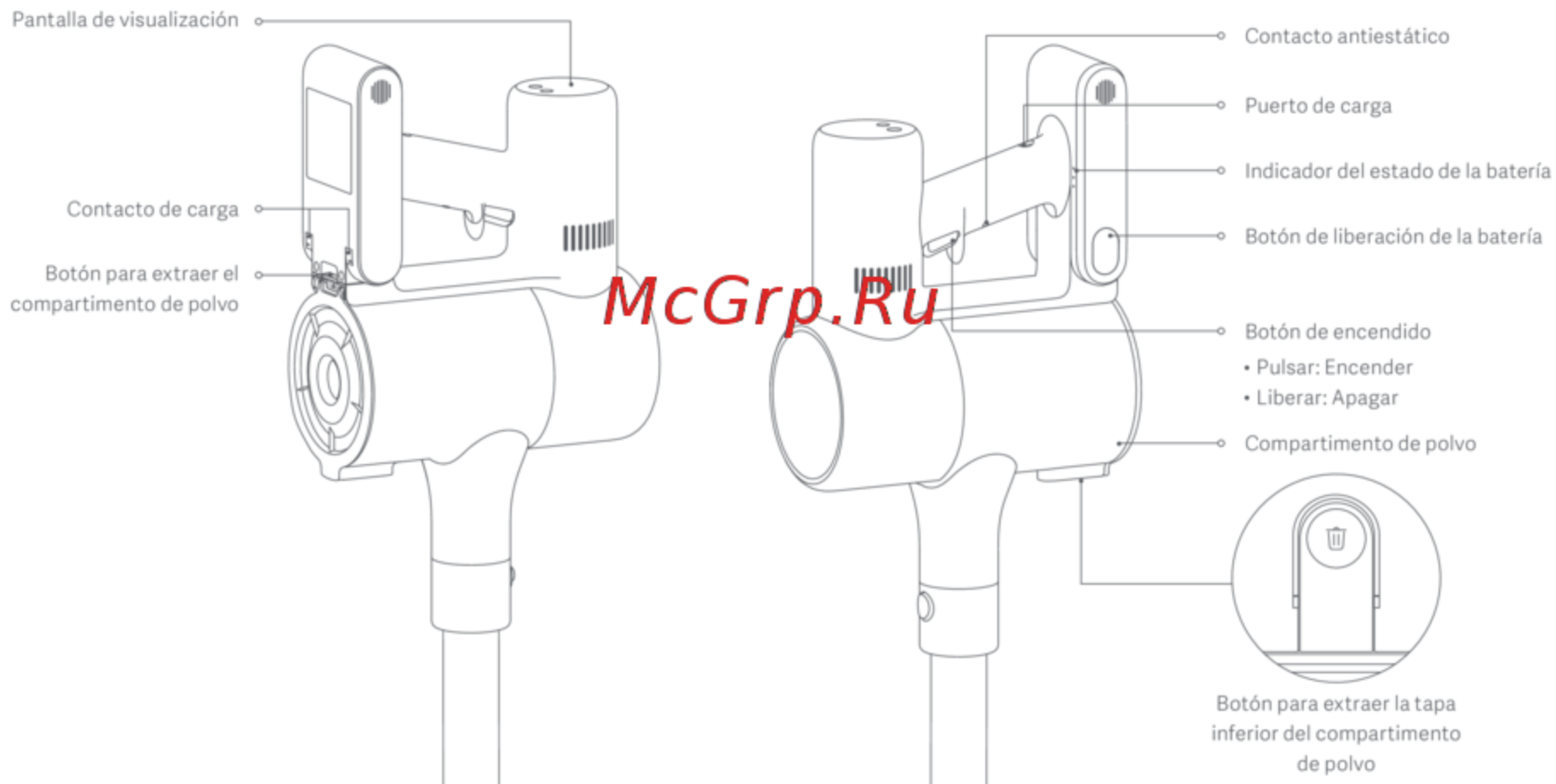
Depósito de agua



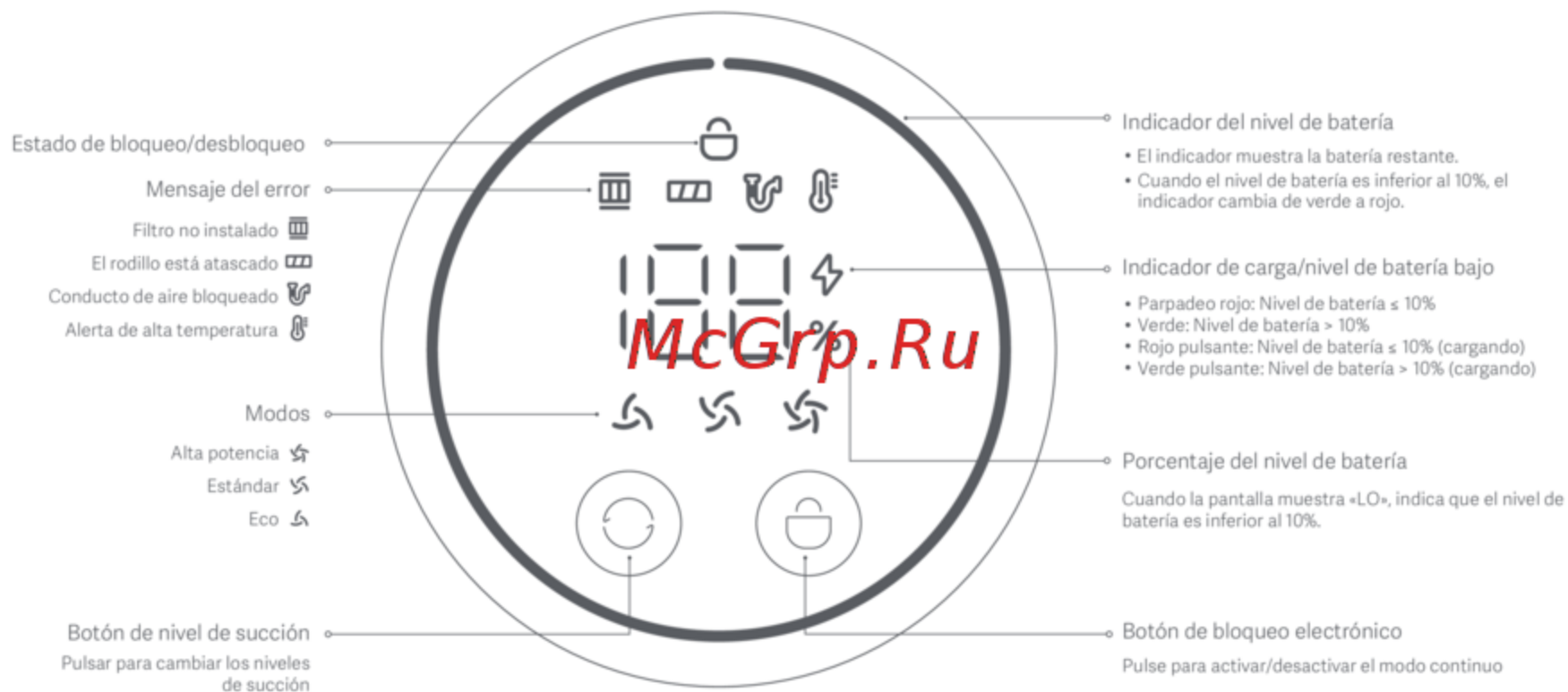
Almohadilla de la mopa  
(preinstalada)

Nota: Las imágenes del producto, sus accesorios y la interfaz de usuario incluidas en este manual de usuario se proporcionan solo como referencia. El producto y las funciones reales pueden variar debido a las actualizaciones y mejoras la aspiradora.

Nombre del componente



## Pantalla de visualización



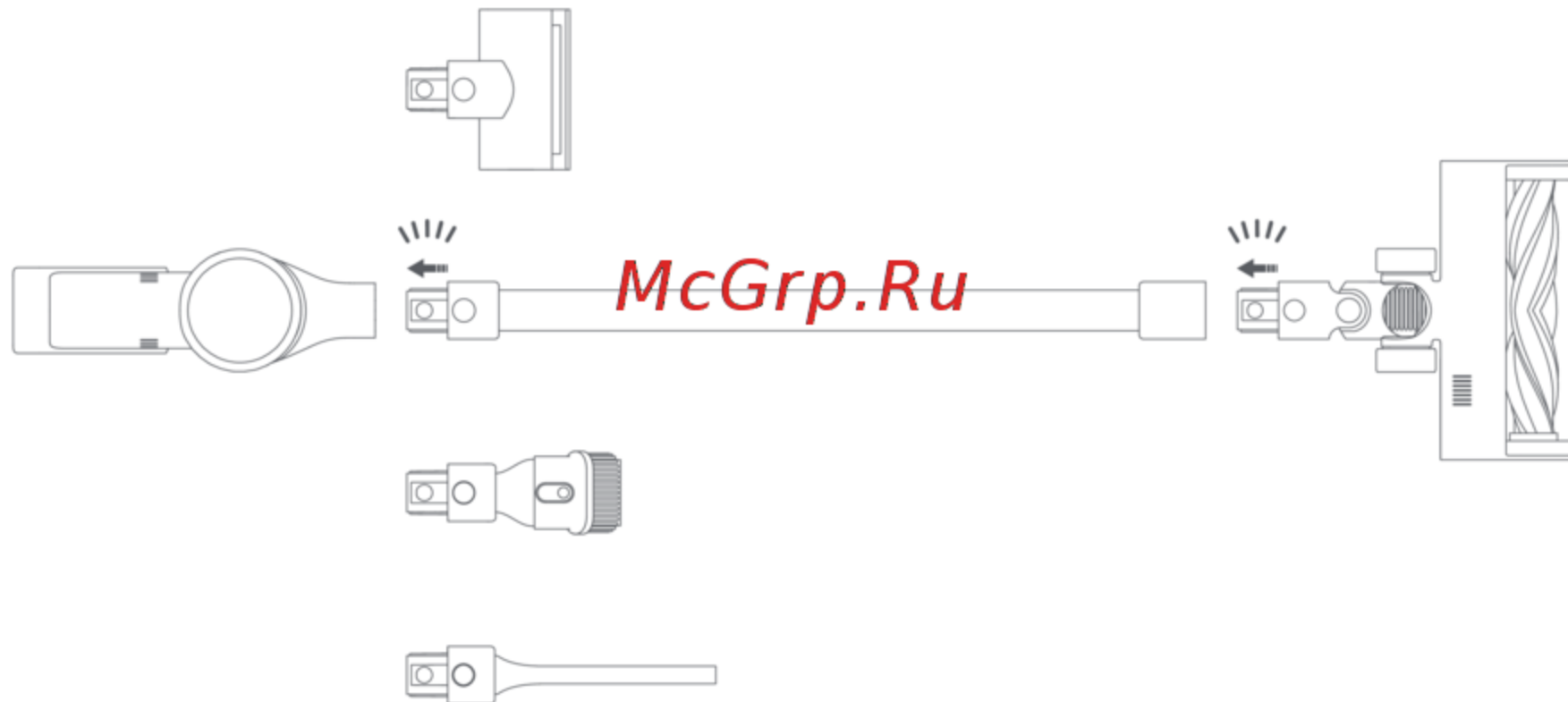
Nota: Si la aspiradora sufre alguna avería, la pantalla de visualización mostrará un mensaje de error. Para solucionar el problema, consulte la sección de Solución de problemas.



## Cómo instalar

### Instalar los accesorios en la aspiradora

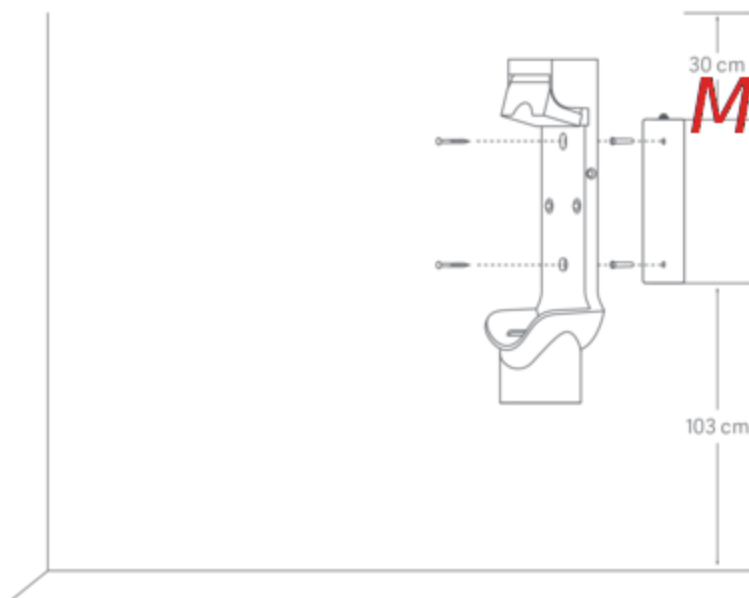
 Insértelo hasta que encaje en su sitio.



Nota: No debe utilizar el minicepillo eléctrico con la barra de extensión.

## Instalar el soporte de carga y almacenamiento 2 en 1

1. El soporte de carga y almacenamiento 2 en 1 debe ser instalado en un lugar fresco y seco, con una toma eléctrica cercana. Antes de instalarlo, asegúrese de que no hay ningún cable ni tubo detrás de dónde se instalará el soporte.
2. La parte inferior de la pegatina de la plantilla de montaje debe estar nivelada y, al menos, a 1,03 m del suelo. La parte superior debe tener al menos un espacio de 30 cm sobre ella.
3. Utilice un taladro eléctrico con una broca de 8 mm para hacer un orificio en cada marcador de la pegatina de la plantilla de montaje y, a continuación, inserte un taco en cada orificio.
4. Alinee los orificios de montaje del soporte de carga y almacenamiento 2 en 1 con los orificios de la pared y, a continuación, fije el soporte a la pared con los tornillos incluidos.



Altura recomendada: Al menos 1,03 metros del suelo

## Carga

### Indicador del estado de la batería

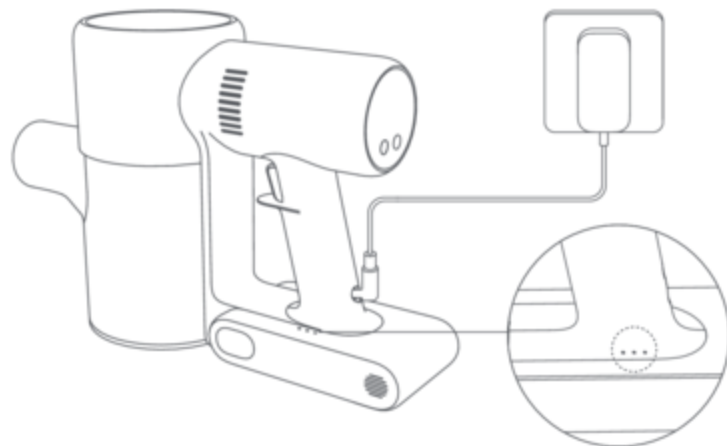
Nota: ○ significa apagado, ● significa encendido y ✨ significa parpadeando.

- ✨ ○ ○ Batería baja      ● ● ✨ Casi cargada  
● ✨ ○ Batería media      ● ● ● Totalmente cargada

Una vez que la aspiradora esté completamente cargada, el indicador se apagará después de 5 minutos y la aspiradora activará el modo de ahorro de energía.

### Pantalla de visualización

El número de la pantalla representa el nivel de batería actual en porcentaje durante la carga. Cuando llegue a 100, la batería estará totalmente cargada. Cuando el aspirador de vacío se esté cargando, puede pulsar el botón de encendido para activar la pantalla y comprobar el porcentaje de carga actual.

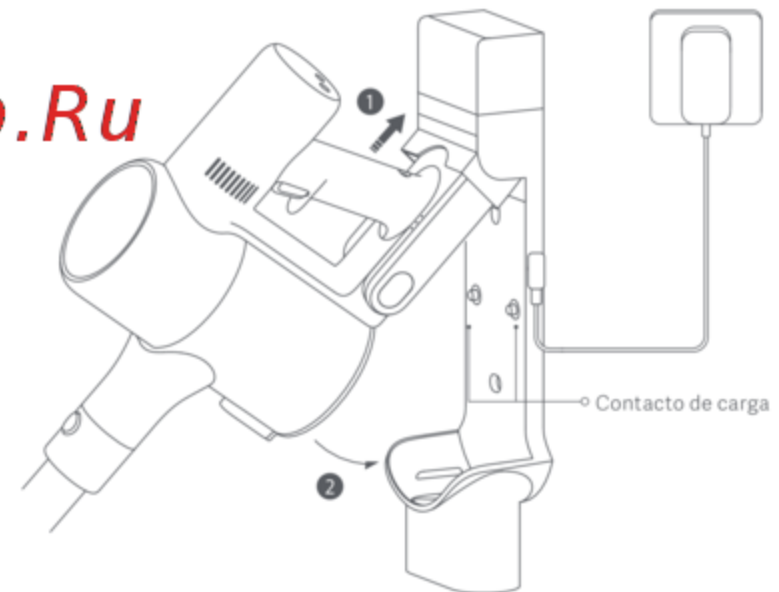


Indicador del estado de la batería

Cargar la aspiradora con el cargador

### Notas:

- Cargue completamente la aspiradora antes de usarla por primera vez. Esto puede tardar unas 4 horas.
- La aspiradora no se puede utilizar mientras se esté cargando.
- Aspirar con un nivel de succión alto durante un periodo prolongado provocará que la batería se caliente, lo que podría aumentar el tiempo de carga. Antes de cargar la aspiradora, recomendamos esperar unos 30 minutos a que se enfríe.



Cargar la aspiradora en el soporte de carga

## Modo de uso

### Cambiar los niveles de succión

Pulse el botón  para recorrer los niveles de succión del aspirador: Eco, Estándar y Turbo. El indicador del nivel de succión correspondiente se resaltará en la pantalla.

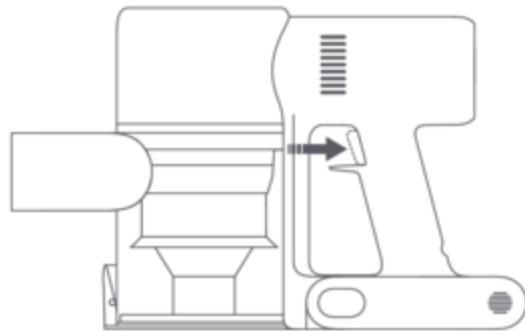
Nota: Después de apagar el aspirador y volver a encenderlo, el nivel de succión será el último utilizado.

### Modos de funcionamiento

La aspiradora tiene dos modos de funcionamiento. Puede seleccionar el que quiera en base a sus necesidades de limpieza.

- Modo Discontinuo

Mantenga pulsado el botón de encendido para poner en marcha la aspiradora y suéltelo para detenerla.



Modo Discontinuo

- Modo Continuo

Presione el botón  para activar el modo Continuo. Luego pulse el botón de encendido para poner en marcha la aspiradora. Para salir del modo Continuo, pulse el botón .

Activar el modo Continuo permite que la aspiradora funcione continuamente sin tener que pulsar el botón de encendido, lo que le ayuda a tener los dedos libres.



Modo Continuo

Notas:

- En el modo Continuo, la aspiradora activará el modo de espera cuando pulse el botón de encendido, y reanudará la limpieza si vuelve a pulsar el botón.
- Si la aspiradora se mantiene en el modo de espera durante más de 10 segundos, saldrá del modo Continuo y la pantalla se apagará.

## Uso de los diferentes accesorios

Barra del cepillo de alto par: Para limpieza de varios tipos de suelos, como madera, mármol, baldosas y alfombra.

Nota: La barra del cepillo de alto par se puede conectar directamente a la aspiradora.



Minicepillo eléctrico: Para aspirar la suciedad, los pelos de mascota y otros restos resistentes de los sofás, la ropa de cama y otras superficies de tela.

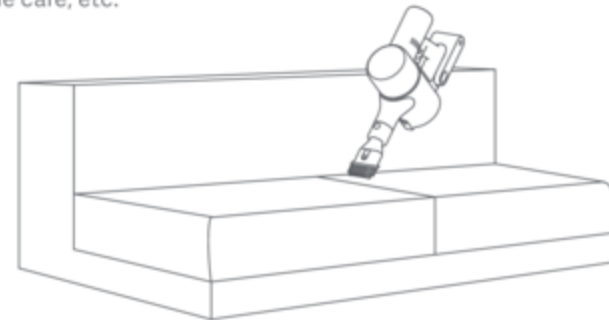


**McGrp.Ru**

Boquilla para hendiduras: Para aspirar hendiduras estrechas y zonas alrededor de puertas, ventanas, rodapiés, esquinas, escaleras, etc.



Boquilla del cepillo 2 en 1: Para aspirar cortinas, sofás, interiores de vehículos, mesas de café, etc.



Notas:

- Si alguna pieza giratoria se queda atascada, la aspiradora podría apagarse de forma automática. Extraiga los objetos extraños que se hayan quedado atascados y reanude el uso.
- Cuando se activa la protección contra altas temperaturas de la batería, el aspirador deja de funcionar automáticamente. Espere a que la temperatura de la batería vuelva a ser normal y, a continuación, reanude el uso.

## Usar la función de fregado

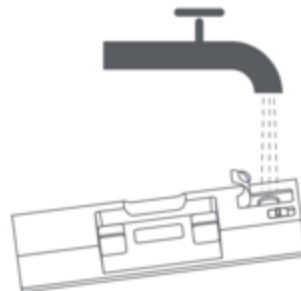
### Notas:

- No pise el depósito de agua, ya que podría dañarlo de forma permanente.
- Antes de fregar suelos muy sucios, debería aspirarlos para obtener un mejor resultado.
- No utilice la función de fregado en alfombras.
- No use productos químicos ni desinfectantes.

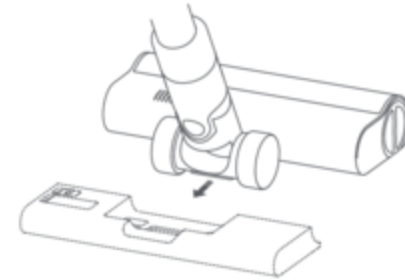
1. Humedezca la almohadilla de la mopa y escurra el exceso de agua. A continuación, fíjela bien al fondo del depósito de agua.



2. Abra el tapón del depósito de agua, añada una cantidad adecuada de agua limpia y cierre el tapón.



3. Fije la barra de cepillo de alto par al depósito de agua alineando los imanes de los mismos hasta que encajen.



4. Esta función está diseñada para aspirar y limpiar suelos de madera y pisos.



OFF (APAGADO) → ON (ENCENDIDO)

### Notas:

- La válvula de bola del depósito de agua controla la cantidad de agua que suministra. La bola es una pieza móvil, por lo que puede generar un sonido de rodadura al empezar y al parar. Es totalmente normal.
- Cuando no esté en uso, sitúe el interruptor en la posición de OFF (APAGADO).

## Cuidado y mantenimiento

### Advertencias de mantenimiento

- Utilice siempre piezas originales para evitar que se anule la garantía.
- Si el filtro, la barra de extensión o la barra del cepillo de alto par quedan obstruidos, la aspiradora dejará de funcionar en poco tiempo. Para hacer que vuelva a funcionar, limpie el componente obstruido.
- Si no va a utilizar la aspiradora durante un largo periodo de tiempo, cárguela completamente, desenchúfela de la corriente y guárdela en un lugar fresco, con poca humedad y protegida de la luz solar. Para evitar que la batería se descargue en exceso, recargue la aspiradora al menos una vez cada tres meses.

### Limpieza de la aspiradora

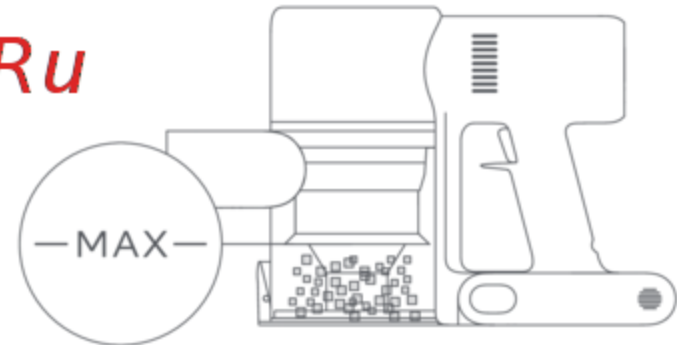
Limpie la aspiradora con un trapo seco y suave.



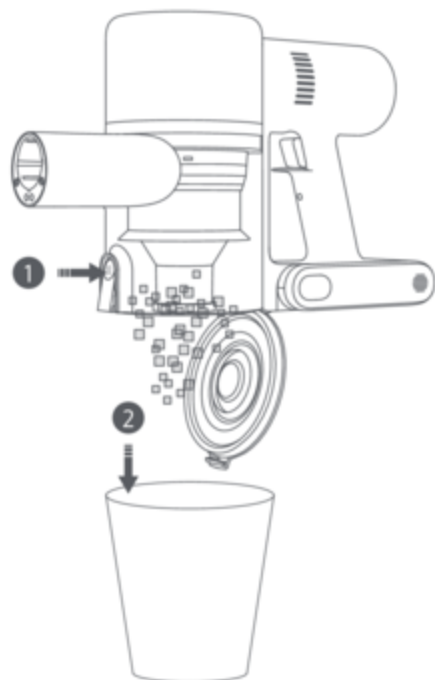
### Limpieza del compartimento para el polvo, el prefiltro y el ciclón

1. La capacidad de limpieza de la aspiradora se verá reducida en caso de que el compartimento para el polvo esté lleno y alcance la marca de "MAX". Para que recupere su rendimiento, vacíe el compartimento para el polvo de manera oportuna. Antes de vaciar el compartimento, asegúrese de que la aspiradora está desconectada de la corriente y no pulse el botón de encendido.

*McGrp.Ru*



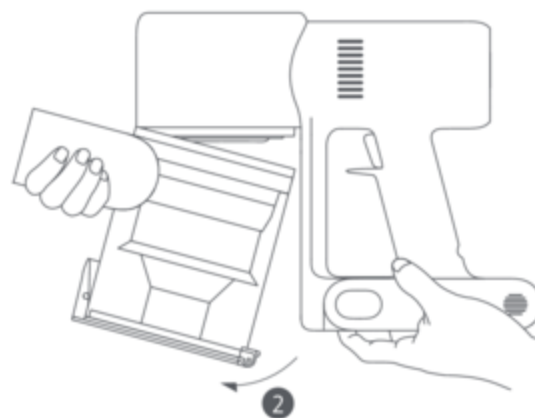
2. Pulse el botón para extraer la tapa inferior del compartimento de polvo y vacíe el contenido.



3. Tire del botón de liberación del compartimento para el polvo en la dirección ilustrada en la imagen 1 y, a continuación, extraiga el compartimento para el polvo del aspirador como se ilustra en la imagen 2.



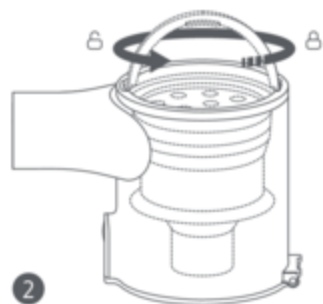
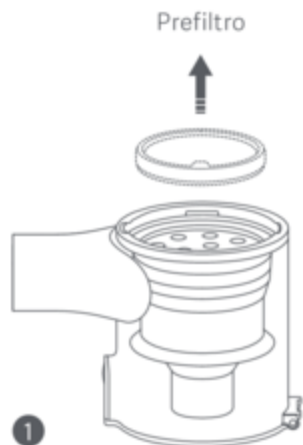
Botón para extraer el compartimento de polvo





4. Quite primero el prefiltro, luego levante el mango del ciclón y gire en sentido contrario a las agujas del reloj hasta que se detenga, por último, tire para sacar el ciclón.

5. Enjuague con agua el prefiltro, el ciclón y el compartimento de polvo hasta que estén limpios. Luego, ponga a un lado los componentes hasta que se sequen completamente, durante al menos 24 horas.



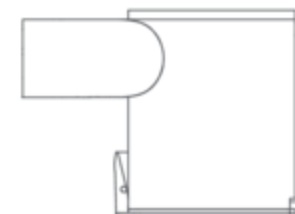
*McGrp.Ru*



Prefiltro



Ciclón

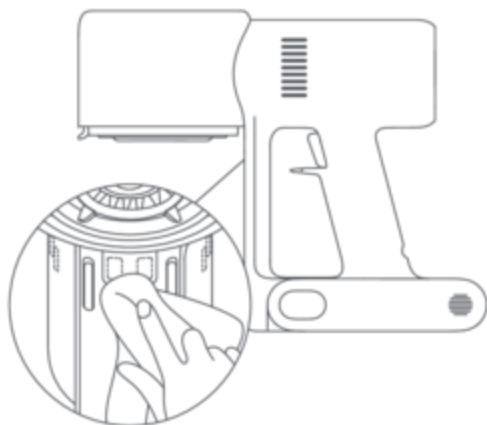


Compartimento de polvo

Notas:

- Debe enjuagar el compartimento de polvo al menos una vez al mes.
- Debe limpiar el prefiltro y el ciclón al menos una vez cada 3 o 4 meses.

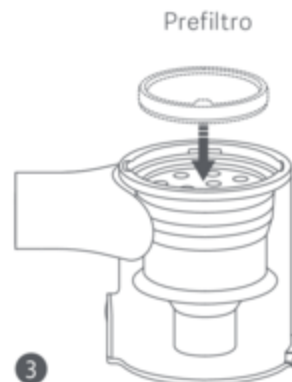
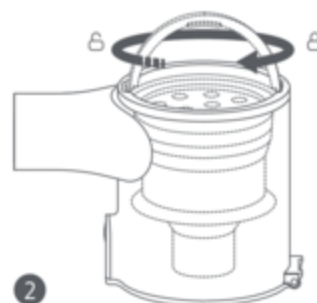
6. Limpie los puntos de contacto de la aspiradora con un trapo seco y suave si están sucios.



### Instalación del compartimento para el polvo, el prefiltro y el ciclón

1. Inserte verticalmente el ciclón en el compartimento de polvo y asegúrese de que el mango está alineado con la ranura del lado izquierdo del compartimento de polvo. Gire el mango en el sentido de las agujas del reloj hasta que esté fijo. Luego baje el mango.
2. Coloque el prefiltro dentro del ciclón, con la parte frontal mirando hacia arriba.

*McGrp.Ru*



#### Notas:

- No utilice detergentes, abrillantadores ni ambientadores para limpiar el compartimento de polvo.
- No limpie el compartimento de polvo, el prefiltro ni el ciclón en un lavavajillas ni en una lavadora, ni intente secarlos en secadoras, hornos, microondas o poniéndolos cerca del fuego.

3. Incline ligeramente el compartimento de polvo para que sus ranuras queden alineadas con la pestaña de la aspiradora. Luego presione suavemente sobre el compartimento de polvo hasta que encaje en su sitio.



Insértelo hasta que encaje en su sitio

## Limpeza del filtro

1. Extraiga el compartimento del polvo como se indica en la imagen.

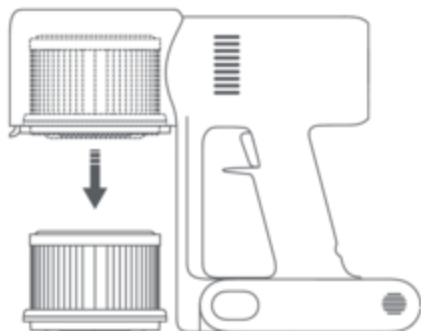


Botón para extraer el compartimento de polvo

### Notas:

- Se recomienda limpiar el filtro una vez cada 4 o 6 meses.
- Se recomienda sustituir el filtro una vez cada 6 a 12 meses según el estado de uso real del mismo.

2. Extraiga el filtro de la aspiradora tirando hacia abajo, en la dirección que se muestra en la imagen.

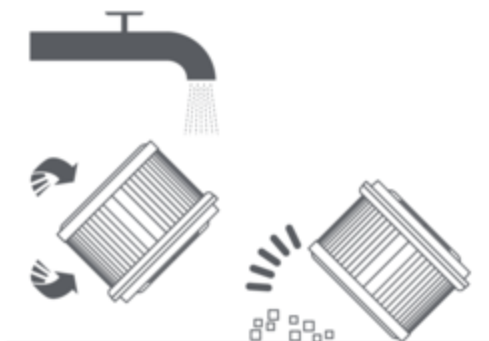


4. Deje secar el filtro durante, al menos, 24 horas.

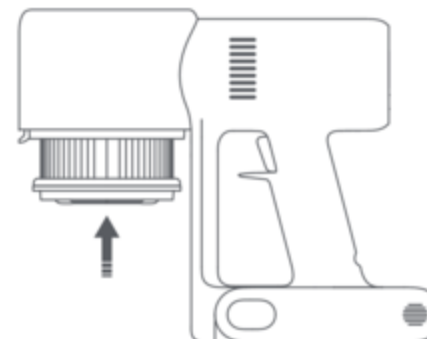


3. Limpie el filtro con agua limpia. Asegúrese de girar el filtro 360° para quitar toda la suciedad del filtro. Golpee suavemente el filtro varias veces para extraer cualquier exceso de suciedad.

McGrp.Ru



1. Inserte el filtro en la aspiradora y presione suavemente hacia abajo, como se indica en la imagen.



Notas:

- Utilice únicamente agua limpia para limpiar el filtro. No utilice detergentes.
- No intente limpiar el filtro con un cepillo ni con los dedos.

2. Vuelva a instalar el compartimento de polvo.



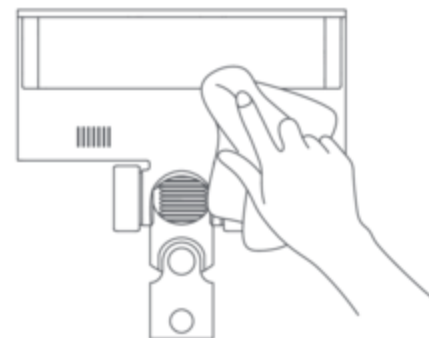
Insértelo hasta que encaje en su sitio

## Limpeza de la barra del cepillo de alto par

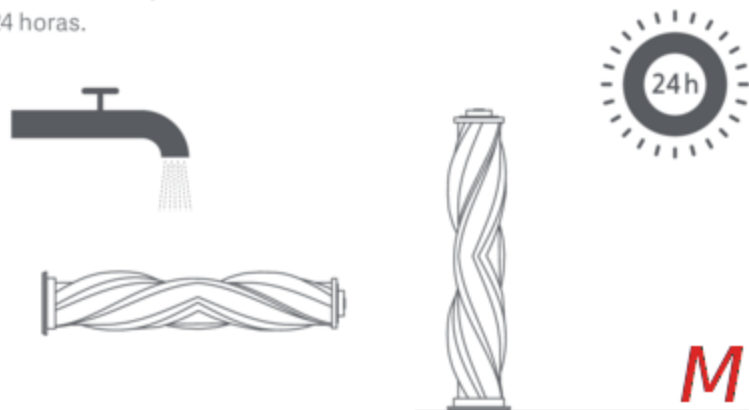
1. Gire en sentido contrario a las agujas del reloj hasta que se detenga y quite el rodillo de la barra del cepillo de alto par.



2. Utilice unas tijeras para cortar y recoger los pelos, o cualquier otro desecho, que se haya quedado enredado en el rodillo. Limpie el exceso de polvo de la ranura y de la cubierta de plástico transparente con un paño seco o con papel absorbente.

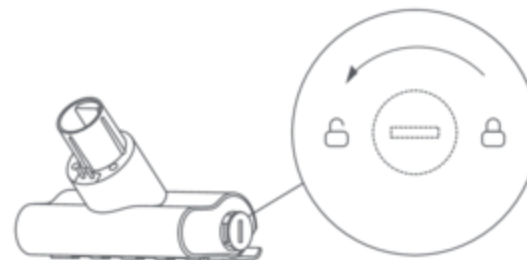


3. Tras un uso prolongado, puede que el rodillo se ensucie, por lo que debería lavarlo. Tras la limpieza, deje que el rodillo se seque completamente, poniéndolo en posición vertical en un área bien ventilada durante al menos 24 horas.





### Limpeza del minicepillo eléctrico

1. Utilice una herramienta adecuada para girar el bloqueo en sentido contrario a las agujas del reloj hasta que oiga un clic.



**McGrp.Ru**

4. Asegúrese de que el cepillo del rodillo está completamente seco y, a continuación, alinee el cierre de la parte superior del cepillo del rodillo con  para volver a insertarlo. Gire el cierre en el sentido de las agujas del reloj hasta  para instalar el cepillo del rodillo en su sitio.

2. Tras desbloquear el rodillo, retírelo del minicepillo eléctrico y enjuague y limpie el rodillo.

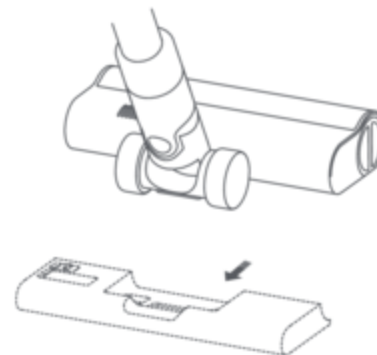


3. Tras la limpieza, deje que el rodillo se seque completamente, poniéndolo en posición vertical en un área bien ventilada durante al menos 24 horas.



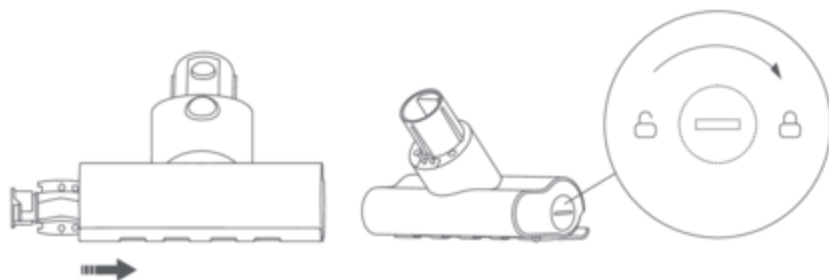
### Limpeza del depósito de agua y la almohadilla de la mopa

1. Deslice el depósito de agua hacia abajo para separarlo de la barra de cepillo de alto par.



**McGrp.Ru**

4. Cuando el rodillo esté seco, vuelva a colocarlo siguiendo los pasos del desmontaje a la inversa.



2. Vacíe el depósito de agua.



3. Extraiga la almohadilla de la mopa del depósito de agua.



4. Limpie y seque la almohadilla de la mopa.



Notas:

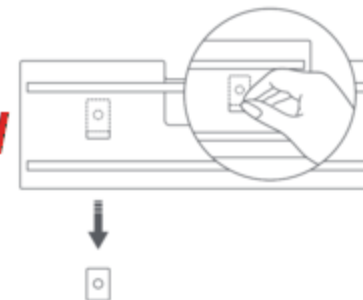
- Cuando la aspiradora se esté cargando o no esté en uso, quite el depósito de agua y drene el agua restante para evitar la formación de moho y los olores persistentes.
- Tras el fregado, quite la almohadilla de la mopa, y límpiela para evitar que bloquee la salida de agua con agua sucia.
- Para garantizar un rendimiento de limpieza óptimo, debería reemplazar la almohadilla de la mopa si está muy desgastada o dañada de modo que no se adhiera al depósito de agua.

### Filtro del dispensador de agua

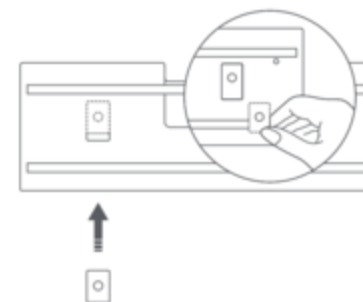
En caso de que el depósito de agua suministre el agua muy lentamente, o si se obstruye, debería sustituir el filtro del dispensador de agua.

Para garantizar una buena efectividad en el fregado, se recomienda sustituir el filtro del dispensador de agua una vez cada 3 o 6 meses, dependiendo de la calidad del agua y de la frecuencia de uso.

1. Use los dedos para sacar los filtros usados del dispensador de agua hacia la izquierda y derecha de cada ranura.



2. Inserte los nuevos filtros del dispensador de agua y asegúrese de que estén bien instalados.



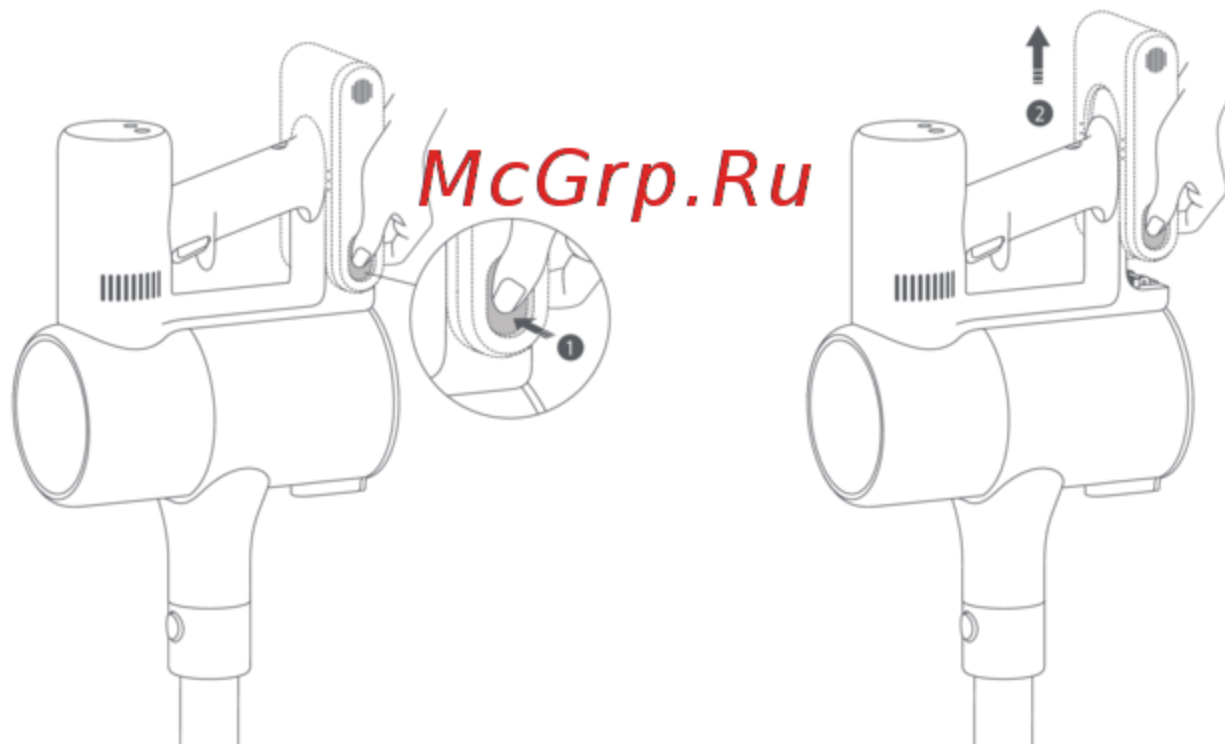
*McGrp.Ru*



## Pack de batería

La aspiradora contiene un pack de batería de ion de litio recargable y extraíble que cuenta con un número limitado de ciclos de recarga. Tras un uso prolongado, el pack de batería dejará de poder realizar una carga. Si esto ocurre, significará que el pack de batería ha alcanzado el fin de su vida útil y deberá sustituirlo.

1. Pulse el botón de liberación del pack de batería y deslícelo hacia la derecha para sacarlo, como se muestra en la imagen.
2. Instale el nuevo pack de batería.



## Especificaciones

Aspiradora sin cables			
Modelo	B207	Tensión nominal	25,2 V ---
Tensión de carga	30,8 V ---	Capacidad de la batería	3000 mAh (Capacidad nominal) 2800 mAh (Capacidad real)
Potencia nominal	425 W	Capacidad del compartimento de polvo	0,6 L
Tiempo de carga	Aproximadamente 4 horas	Peso neto	1,7 kg
Dimensiones del producto	1286 × 214 × 256 mm	Peso neto (con Accesorios)	4,2 kg
Barra del cepillo de alto par		Minicepillo eléctrico	
Modelo	VMH1	Modelo	VTV104B
Potencia nominal	40 W	Potencia nominal	20 W
Tensión nominal	25,2 V ---	Tensión nominal	25,2 V ---
Cargador			
Fabricado por	Zhongshan Baolijin Electronic Co., Ltd.	Eficiencia activa media	87,5%
Modelo	BLJ24W308080P-V	Eficiencia en carga baja (10%)	77,9%
Entrada	100-240 V ~ 50/60 Hz 0,8 A	Consumo de energía sin carga	0,10 W
Salida	30,8 V --- 0,8 A		
Pack de batería de ion de litio recargable			
Modelo	V2210-7S1P-BCA/V2210-7S1P-BWA	Capacidad nominal	3000 mAh
Tensión nominal	25,2 V ---	Capacidad real	2800 mAh
Energía	70,56 Wh		

## Información sobre el cumplimiento de la normativa

---

### Declaración de conformidad de la UE



Nosotros, Dreame (Tianjin) Information Technology Co., Ltd., por la presente, declaramos que el equipo cumple con las Directivas y Normas Europeas aplicables y las enmiendas. Encontrará el texto completo de la declaración de conformidad de la UE en esta dirección de Internet:

<http://www.mi.com/global/service/support/declaration.html>

Para un manual electrónico detallado, vaya a [www.mi.com/global/service/userguide](http://www.mi.com/global/service/userguide)

### Información sobre RAEE



Todos los productos que llevan este símbolo son residuos de aparatos eléctricos y electrónicos (RAEE según la directiva 2012/19/UE) que no deben mezclarse con residuos domésticos sin clasificar. En su lugar, debe proteger la salud humana y el medio ambiente entregando sus equipos de desecho a un punto de recogida para el reciclaje de residuos de equipos eléctricos y electrónicos, designado por el gobierno o las autoridades locales. La eliminación y el reciclado correctos ayudarán a evitar posibles consecuencias negativas para el medio ambiente y la salud humana. Póngase en contacto con el instalador o con las autoridades locales para obtener más información sobre la ubicación y las condiciones de dichos puntos de recogida.

# McGrp.Ru

### Precauciones de seguridad de la batería





- El pack de batería de ion de litio contiene sustancias perjudiciales para el medio ambiente. Antes de desechar la aspiradora, quite el pack de batería y deséchelo o recíclalo siguiendo las leyes y reglamentos locales del país o región en el que se use.
- En condiciones extremas, el líquido podría ser expulsado de la batería. Evite el contacto con líquidos, ya que podría provocar irritaciones o quemaduras. Si se produce un contacto, enjuague con agua. Si el líquido entra en contacto con los ojos, busque ayuda médica.

## Solución de problemas

Problema	Posible causa	Solución
La aspiradora no funciona.	No tiene batería o le queda poca.	Cargue completamente la aspiradora y reanude el uso.
	Activa el modo de protección contra sobrecalentamiento debido a una obstrucción.	Elimine cualquier bloqueo y vuelva a poner en marcha el aspirador cuando se enfríe.
	La abertura de succión o el conducto de aire está bloqueado.	Limpie cualquier obstrucción de la abertura de succión o del conducto de aire.
La potencia de succión disminuye.	El compartimento de polvo está lleno y/o el filtro está obstruido.	Vacíe el compartimento de polvo y limpie el filtro.
	La barra del cepillo de alto par, la barra de extensión u otras partes están bloqueadas.	Limpie cualquier bloqueo de la barra del cepillo de alto par, barra de extensión u otras partes.
El motor hace un ruido raro.	La abertura de succión principal o la barra de extensión está bloqueada.	Limpie cualquier obstrucción en la abertura de succión principal o en la barra de extensión.
El primer indicador aparece rojo después de encender la aspiradora.	El pack de batería está dañado.	Póngase en contacto con el servicio posventa para concertar una cita de mantenimiento.
El primer indicador parpadea en rojo al cargar la aspiradora.	El cargador no es compatible.	Utilice únicamente el cargador original para cargar la aspiradora.
El indicador de batería no se enciende durante la carga.	El cargador no está conectado a la aspiradora.	Asegúrese de que el cargador esté bien conectado.
	La batería está totalmente cargada y cambió al modo de suspensión.	Puede utilizar la aspiradora como de costumbre.
	Si el problema persiste después de descartar las dos posibilidades anteriores, póngase en contacto con el servicio posventa para obtener ayuda.	
La batería se carga lentamente.	La temperatura de la batería es demasiado alta o baja.	Espere a que la temperatura de la batería se normalice y reanude el uso.
El depósito de agua no suministra agua, o la suministra lentamente.	El filtro del dispensador de agua está obstruido.	Limpie o sustituya el filtro del dispensador de agua.
	La almohadilla de la mopa está sucia.	Limpie o sustituya la almohadilla de la mopa.

## Icono del error

Si la aspiradora no funciona con normalidad, en la pantalla aparecerá un mensaje de error. Por favor, consulte la tabla siguiente para encontrar la solución en función del mensaje de error.

Icono del error	Mensaje del error	Solución
	Conducto de aire bloqueado	Compruebe si hay obstrucciones en el compartimento de polvo, la barra de extensión y/o la barra del cepillo de alto par.
	El rodillo está atascado	Consulte "Limpieza de la barra del cepillo de alto par" en la sección de Cuidado y mantenimiento para ver las instrucciones de cómo quitar los pelos y otros desechos del rodillo.
	Alerta de alta temperatura	Espera a que la temperatura de la batería se normalice antes de reanudar el uso.
	Filtro no instalado	Asegúrese de que el filtro y el prefiltro están bien instalados.

Si aparece uno de los códigos de error de E0 a E4 en la pantalla, póngase en contacto con el equipo de servicio postventa para su reparación.

## Instruções de segurança

---

Este produto destina-se apenas a uso doméstico. Leia este manual com atenção antes de utilizar o produto e guarde-o para referência futura.

Este aparelho pode ser utilizado por crianças a partir de 8 anos e pessoas com capacidades físicas, sensoriais ou mentais reduzidas ou com falta de experiência ou conhecimento, se as mesmas forem corretamente supervisionadas ou instruídas sobre a utilização do aparelho de forma segura e se compreenderem os riscos envolvidos. Crianças não devem brincar com o aparelho. A limpeza e a manutenção do utilizador não deve ser feita por crianças sem supervisão.

Não utilize o produto a uma temperatura ambiente abaixo de 5 °C ou acima de 38 °C, nem num piso molhado ou com substâncias pegajosas.

Se o carregador ou o conjunto de bateria estiver danificado, deve ser substituído por um cabo especial e montagem disponível do fabricante ou do respetivo agente de serviço.

Para reduzir o risco de incêndio, explosão ou ferimentos, antes da utilização, certifique-se de que a bateria de íões de lítio e o carregador não estão danificados. Não utilize o aspirador caso a bateria ou o carregador estejam danificados.

Utilize apenas o aspirador em superfícies secas de espaços interiores. Não instale, carregue ou utilize o produto em espaços exteriores, como casas de banho ou perto de piscinas.

Não toque na ficha ou em qualquer parte do aspirador com as mãos molhadas.

A escova de chão de torque elevado, a mini escova elétrica, a bateria, o cabo extensível e o aspirador são condutores de eletricidade e não devem ser imersos em água ou outros líquidos. Certifique-se de que todas as peças ficam totalmente secas depois de as limpar.

Para evitar ferimentos provocados por peças móveis, desligue o aspirador antes de limpar a escova de chão de torque elevado e a mini escova elétrica. A escova de chão de torque elevado, o compartimento do pó e o filtro devem estar devidamente montados antes de utilizar o aspirador.

Não utilize o aspirador para apanhar líquidos inflamáveis ou combustíveis, como gasolina, lixívia, amoníaco ou desentupidores de esgotos; ou outros líquidos como água.

Não utilize o aspirador para apanhar partículas de gesso, cinzas, como cinzas da lareira, ou materiais ardentes ou que estejam a fazer fumo, como carvão, beatas de cigarro ou fósforos.

Não utilize o aspirador para apanhar objetos afiados ou duros que possam danificar o produto, como vidros, pregos, parafusos ou moedas.

Mantenha roupas largas, cabelos, dedos e outras partes do corpo afastados das aberturas e peças móveis do aspirador. Não aponte a abertura de sucção, o cabo de extensão ou outros acessórios para os olhos ou ouvidos, nem coloque os mesmos na boca.

Não coloque nenhum objeto nas aberturas do aspirador, nem utilize o aspirador com as aberturas obstruídas. Mantenha o aspirador livre de pó, algodão, cabelos ou outras substâncias que possam reduzir o fluxo de ar.

Não coloque o aspirador encostado a uma cadeira, mesa ou outra superfície instável, uma vez que tal pode danificar o produto ou causar ferimentos. Caso o aspirador não funcione corretamente devido a uma pancada ou a eventuais estragos, contacte o departamento de assistência autorizado. Não tente desmontar o aspirador de forma autónoma.

A tampa do compartimento do pó, o pré-filtro, o sistema ciclónico e o filtro devem ser devidamente montados antes de utilizar o aspirador.

Certifique-se de que o carregador está desligado da corrente caso não seja utilizado durante um longo período de tempo, bem como antes de efetuar qualquer operação de manutenção ou reparação.

Tenha cuidado redobrado ao utilizar o aspirador na limpeza de escadas.

Aviso de perigo de incêndio: Não aplique qualquer tipo de fragrância no filtro do aspirador. Este tipo de produtos é conhecido por conter químicos inflamáveis que podem provocar um incêndio no aspirador.

NÃO exponha a bateria ou o aparelho ao fogo, pois poderá provocar uma explosão.

NÃO exponha ou mergulhe a bateria ou o aparelho em água, água salgada ou outros líquidos.

AVISO: Não utilize quaisquer pacotes de baterias ou carregadores de terceiros.

Utilize apenas com o carregador BLJ24W308080P-V.

Utilize apenas com o pacote de baterias V2210-7S1P-BCA/V2210-7S1P-BWA.

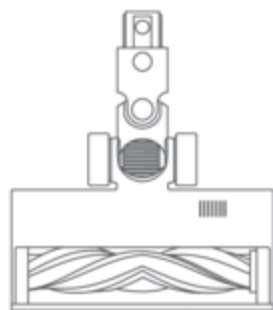
Quando utilizar o aspirador, siga rigorosamente as instruções apresentadas neste manual de instruções. Os utilizadores são responsáveis por eventuais perdas ou danos que possam resultar do uso indevido do aspirador.

## Visão geral do produto

### Lista de Acessórios



Cabo de extensão



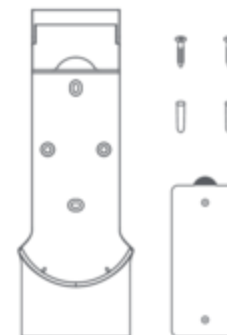
Escova de Chão de Torque Elevado



Bocal para resíduo



Carregador



Suporte de Carregamento e Armazenamento 2 em 1  
(inclui 2 parafusos, 2 buchas e autocolante de montagem)



Mini Escova Elétrica



Bocal com Escova 2 em 1



Depósito de Água

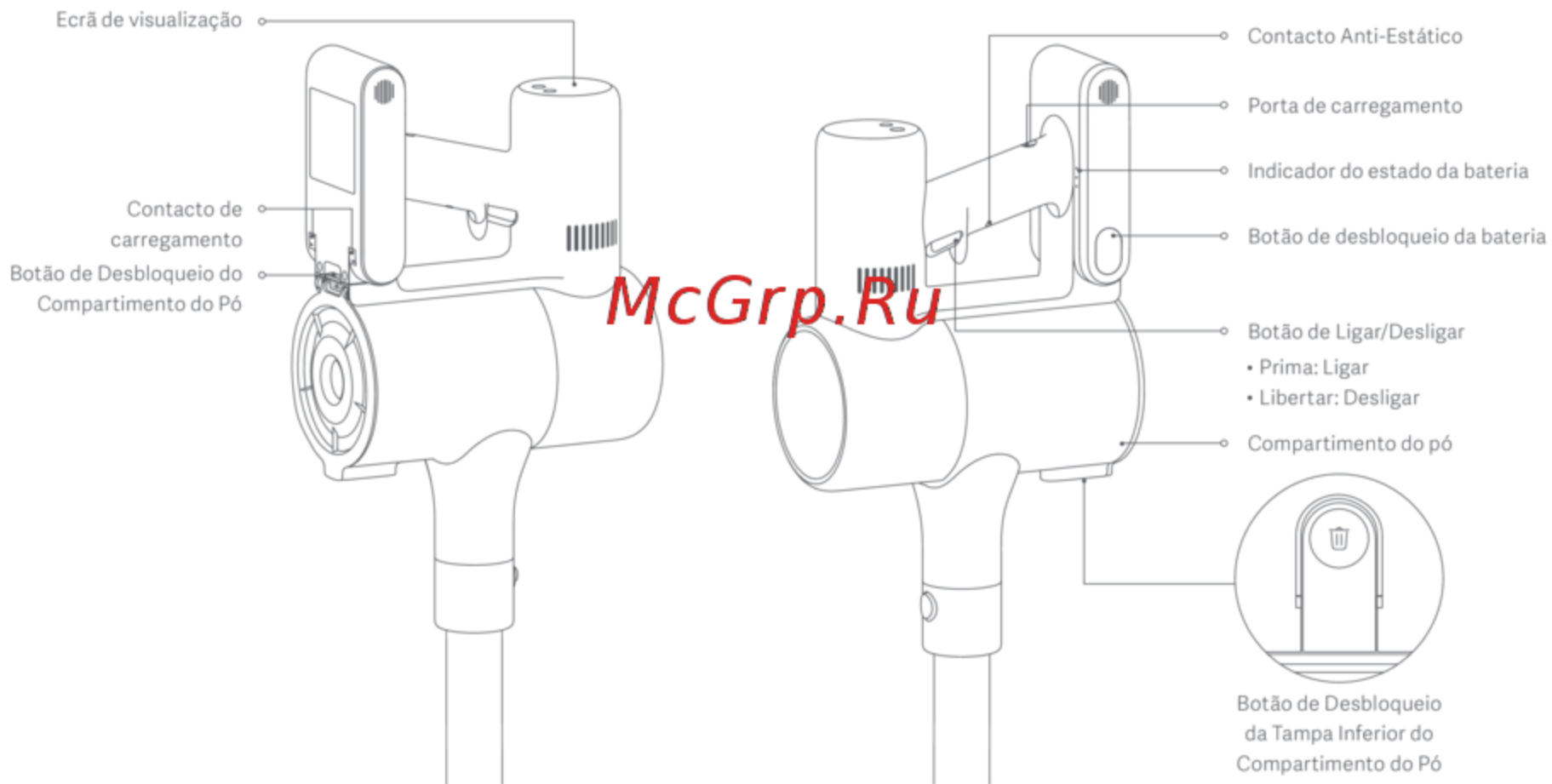


Pano mopa  
(pré-instalados)

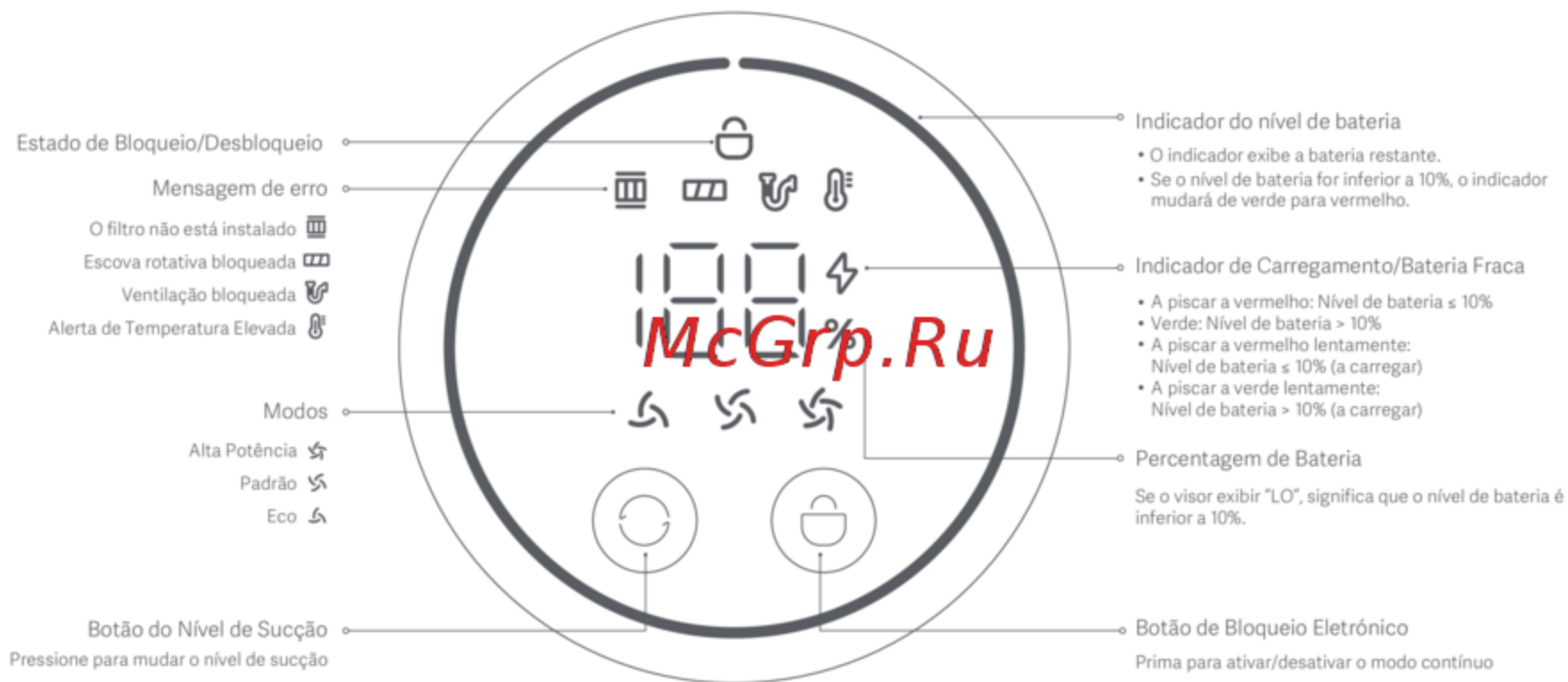
Nota: As ilustrações do produto, os acessórios e a interface de utilizador no manual do utilizador são apenas para referência. O verdadeiro produto e respetivas funções podem variar consoante os melhoramentos.



Nome do Componente



## Ecrã de visualização

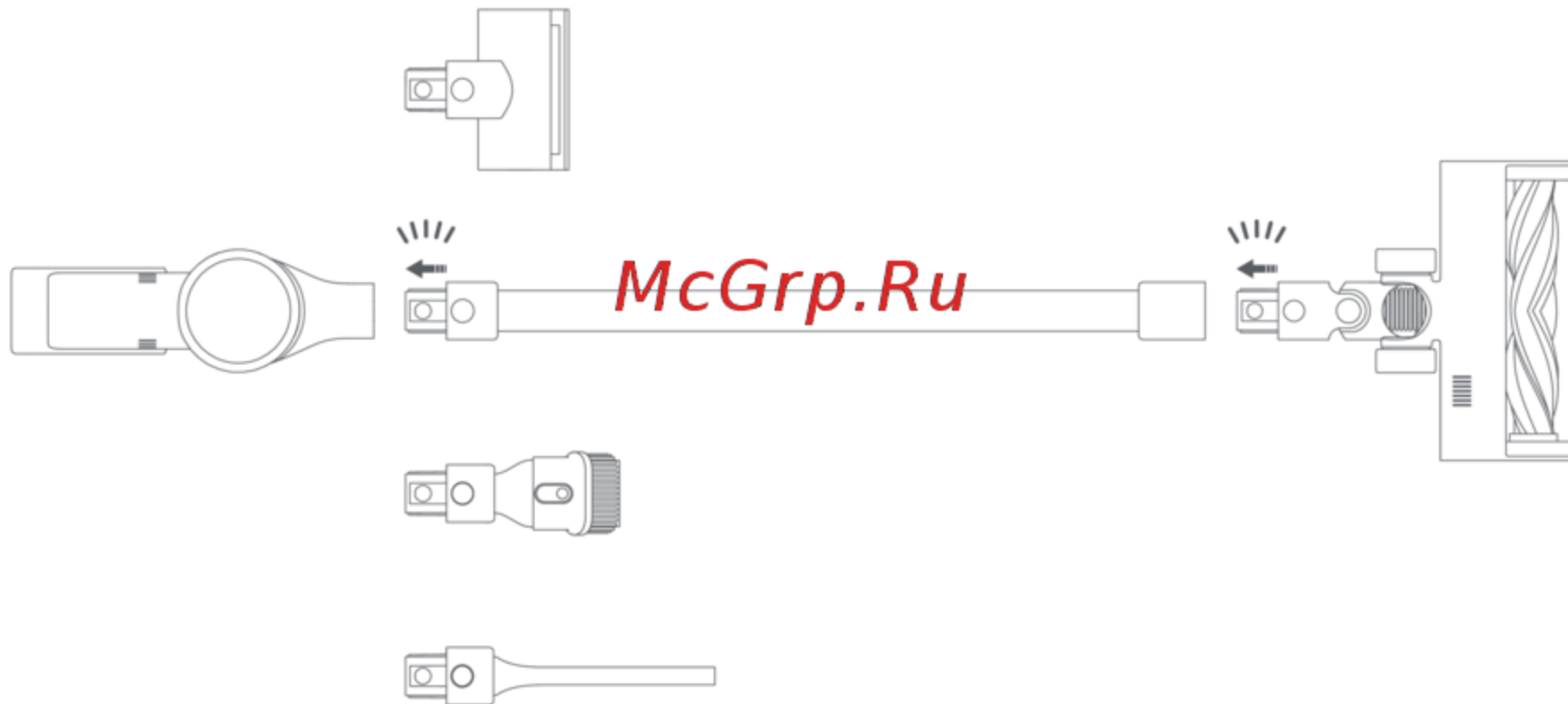


Nota: Se o aspirador não estiver a funcionar corretamente, aparecerá uma mensagem de erro no ecrã de visualização. Para encontrar uma solução, por favor, consulte a secção de Resolução de problemas.

## Como instalar

### Instalar os acessórios no aspirador

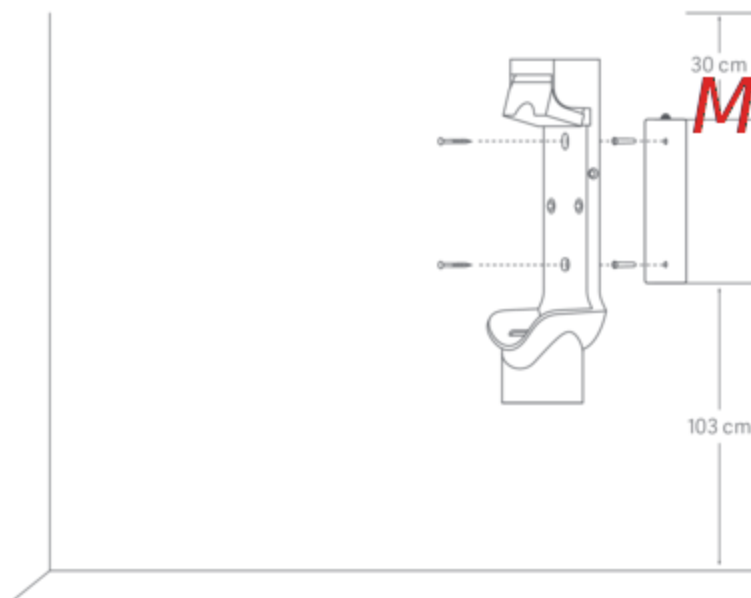
 Insira-o até encaixar



Nota: A mini escova elétrica não deve ser usada com o cabo extensível.

## Instalar o suporte de carregamento e armazenamento 2 em 1

1. O suporte de carregamento e armazenamento 2 em 1 deve ser instalado num local fresco e seco, perto de uma fonte de corrente elétrica. Antes da instalação, certifique-se de que não existem fios ou tubos diretamente atrás do local de instalação do suporte.
2. A base do autocolante de montagem deve ficar nivelada e a um mínimo de 1,03 m do chão, e o topo deve ficar com um espaço mínimo de 30 cm por cima.
3. Utilize um berbequim com uma broca de 8 mm para fazer um furo em cada uma das posições marcadas no autocolante de montagem. De seguida, insira uma bucha em cada orifício.
4. Alinhe os orifícios de montagem do suporte de carregamento e armazenamento 2 em 1 com os orifícios na parede. De seguida, fixe o suporte à parede, utilizando os parafusos disponibilizados.



Altura Recomendada: A um mínimo de 1,03 m do chão

## A carregar

### Indicador do estado da bateria

Nota: ○ significa que está apagado, ● significa que está aceso, e ☼ significa que está a piscar.

☼ ○ ○ Bateria fraca      ● ● ☼ Bateria praticamente cheia

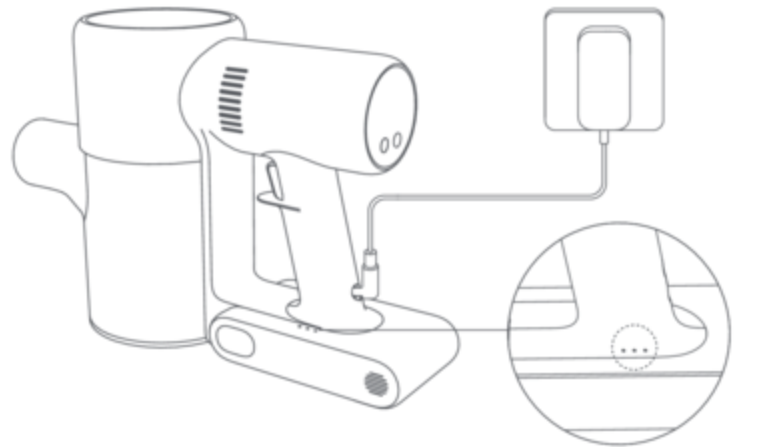
● ☼ ○ Metade da bateria      ● ● ● Carga completa

Assim que o aspirador estiver totalmente carregado, o indicador desligar-se-á após 5 minutos, e o aspirador entrará no modo de poupança de energia.

### Ecrã de visualização

O número apresentado no ecrã de visualização indica o nível de bateria atual, em percentagem, durante o carregamento. Quando o número chegar a 100, significa que a bateria está totalmente carregada.

Enquanto o aspirador estiver a ser carregado, pode pressionar o botão de alimentação para ativar o ecrã e verificar a percentagem de carregamento atual.

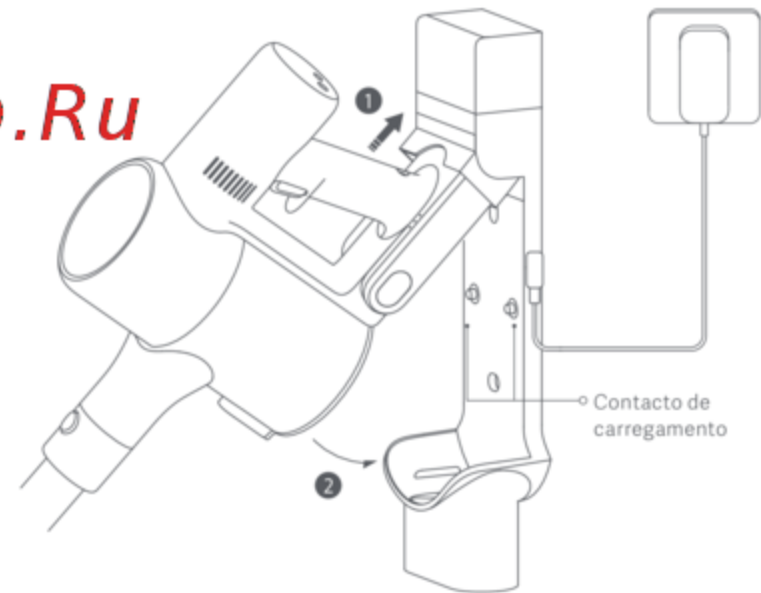


Indicador do estado da bateria

Carregar o aspirador com o carregador

### Notas:

- Antes de utilizar o aspirador pela primeira vez, carregue-o completamente. Tal irá demorar cerca de 4 horas.
- O aspirador não pode ser utilizado durante o carregamento.
- Aspirar no nível de sucção máximo durante um período de tempo prolongado provoca o aquecimento da bateria, o que pode aumentar o tempo de carregamento. Antes de carregar o aspirador, é preferível deixá-lo arrefecer durante 30 minutos.




Contacto de carregamento

Carregar o aspirador no suporte de carregamento

## Como utilizar

### Alterar os níveis de sucção


Prima o botão  para navegar entre os diferentes níveis de sucção do aspirador: Eco, Padrão e Turbo. O indicador do nível de sucção correspondente será assinalado no visor.

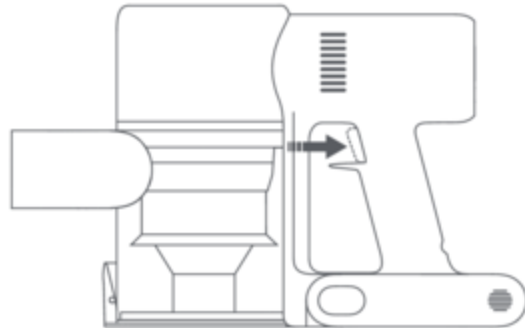
Nota: Se desligar o aspirador e o voltar a ligar, o nível de sucção ativo será o último que tiver utilizado.

### Modos de funcionamento

O aspirador tem dois modos de funcionamento. Pode seleccionar o modo pretendido conforme as suas necessidades.

- Modo Não Contínuo

Pressione o botão de alimentação para ligar o aspirador e, de seguida, pressione o botão  para parar.



Modo Não Contínuo

- Modo Contínuo

Pressione o botão  para ativar o Modo Contínuo e, de seguida, carregue no botão de alimentação para ligar o aspirador. Para sair do Modo Contínuo, carregue no botão .

A ativação do Modo Contínuo permite que o aspirador funcione continuamente sem ter de manter o botão de alimentação pressionado, ajudando a libertar os dedos.



Modo Contínuo

Notas:

- No Modo Contínuo, o aspirador entrará em modo de espera se carregar no botão de alimentação, e retomará o funcionamento se carregar novamente no botão.
- Se o aspirador ficar em modo de espera por mais de 10 segundos, o ecrã de visualização desligar-se-á, e o aspirador sairá do Modo Contínuo.

## Utilização dos Diferentes Acessórios

Escova de Chão de Torque Elevado: Para limpar diferentes tipos de pavimento, como madeira, mármore, mosaico e alcatifa.

Nota: A escova de chão de torque elevado pode ser inserida diretamente no aspirador.



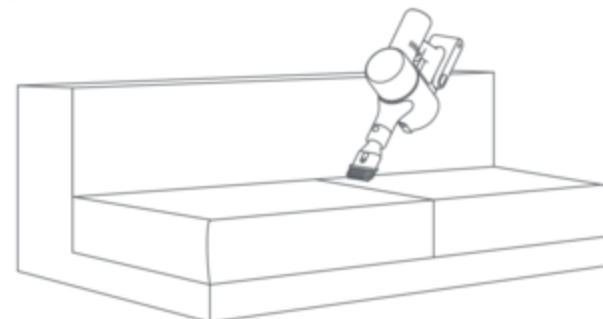
Mini Escova Elétrica: Para aspirar poeiras, pelos de animais e outros detritos persistentes em sofás, roupas de cama e outras superfícies têxteis.



Bocal para Juntas: Para aspirar juntas estreitas e contornos de portas, janelas, rodapés, cantos, escadas, etc.



Bocal com Escova 2 em 1: Para aspirar cortinas, sofás, o interior de veículos, mesas de apoio, etc.



### Notas:

- Se alguma peça rotativa ficar presa, o aspirador poderá desligar-se automaticamente. Remova qualquer objeto estranho que possa ter ficado preso e, de seguida, volte a utilizá-lo.
- Quando a proteção de alta temperatura para a bateria é desencadeada, o aspirador irá automaticamente parar de trabalhar. Aguarde até que a temperatura da bateria volte ao normal e retome a utilização.

## Utilizar a função de lavagem

Notas:

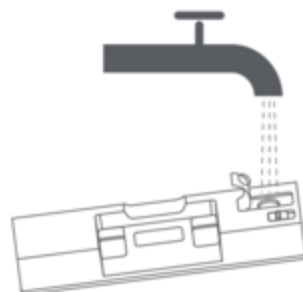
- Não pise o depósito de água, pois poderá danificá-lo permanentemente.
- Para um melhor resultado, pavimentos muito sujos devem ser aspirados antes da lavagem.
- Não utilize a função de lavagem em carpetes.
- Não utilize produtos de limpeza ou desinfetantes.

1. Humedeça o pano mopa e esprema o excesso de água. De seguida, fixe-o bem na base do depósito de água.

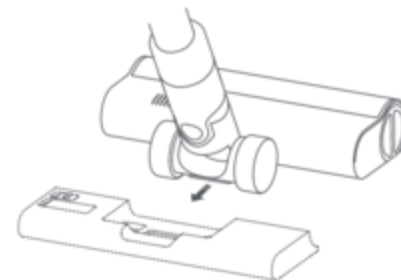


McGrp.Ru

2. Abra a tampa do depósito de água, deite um volume adequado de água limpa e feche a tampa.



3. Ligue a barra escova de alto torque ao depósito de água, alinhando os ímanes de ambos até encaixarem.



4. Esta função é própria para aspirar e esfregar chão de madeira e mosaico.



OFF (DESLIGADO) → ON (LIGADO)

Notas:

- A válvula esférica no depósito de água controla o volume de água que é dispensado. A esfera é uma peça móvel e pode emitir um ruído de rotação ao iniciar e parar. Isto é normal.
- Quando não a estiver a utilizar, por favor, mantenha o botão na posição OFF (DESLIGADO).



## Cuidados e manutenção

### Precauções de Manutenção

- Utilize sempre peças originais para não perder a garantia.
- Se o filtro, o cabo extensível ou a escova de chão de torque elevado entupirem, o aspirador parará de funcionar logo de seguida. Para retomar o funcionamento, limpe o componente que estiver entupido.
- Se o aspirador não for utilizado durante um período de tempo prolongado, carregue-o completamente e desligue-o da corrente. De seguida, guarde-o num local fresco e com pouca humidade, sem exposição direta à luz solar. Para evitar a descarga excessiva da bateria, recarregue o aspirador, pelo menos, uma vez a cada três meses.

### Limpar o aspirador

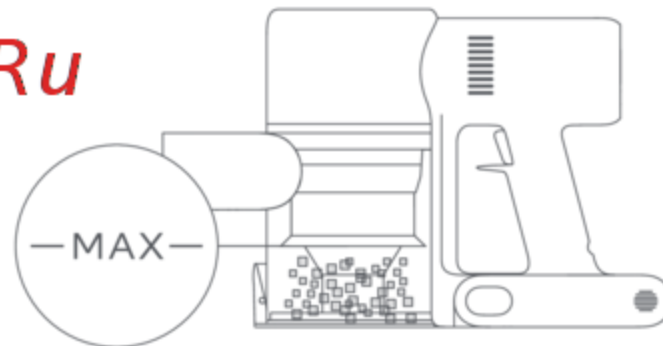
Limpe o aspirador com um pano suave e seco.



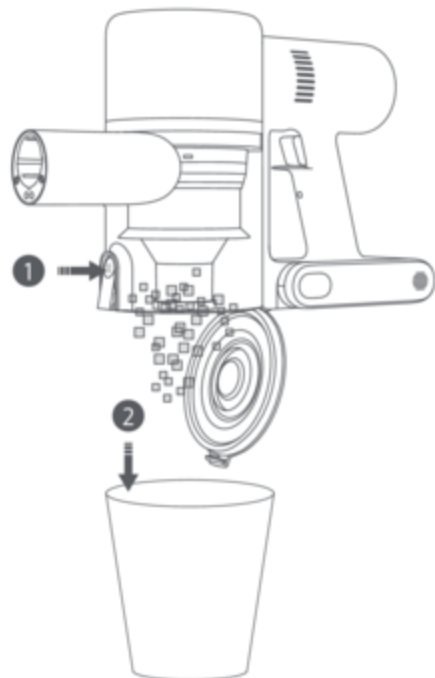
### Limpeza do Compartimento do Pó, do Pré-Filtro e do Sistema Ciclónico

1. A capacidade de limpeza do aspirador será reduzida se o compartimento do pó estiver cheio até à marca "MAX". Para restabelecer o desempenho, esvazie o compartimento do pó atempadamente. Antes de esvaziar o compartimento, certifique-se de que o aspirador está desligado da corrente e não carregue no botão de ligar/desligar.

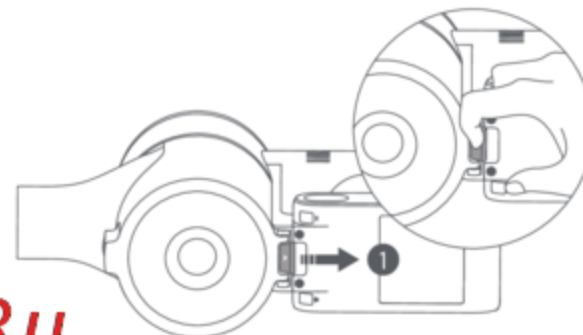
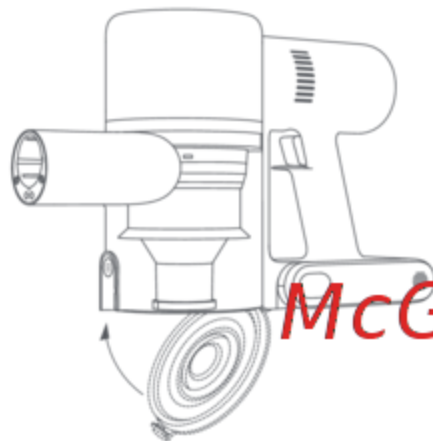
*McGrp.Ru*



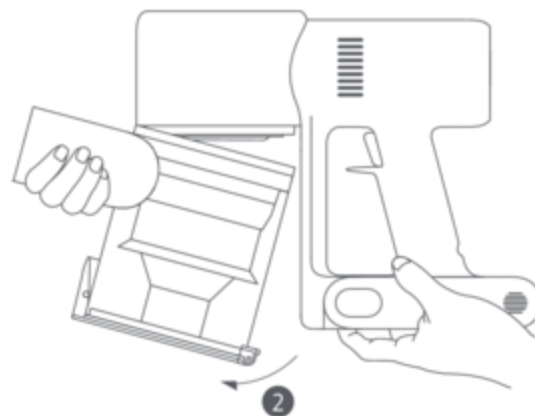
2. Carregue no botão de desbloqueio da tampa inferior do compartimento do pó e esvazie o conteúdo.



3. Puxe a alavanca de desbloqueio do compartimento de pó na direção ilustrada na imagem 1, em seguida remova o compartimento de pó do aspirador como ilustrado na imagem 2.

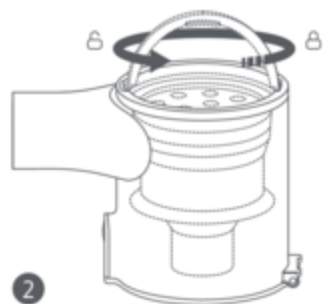


Botão de Desbloqueio do Compartimento do Pó



4. Remova primeiro o pré-filtro e de seguida levante a pega do sistema ciclónico e rode-a para a esquerda até parar. Depois puxe-a para retirar o sistema ciclónico.

5. Enxague o pré-filtro, o sistema ciclónico e o compartimento do pó com água até que estejam limpos. Depois ponha de parte cada um dos componentes para secarem bem, durante pelo menos 24 horas.



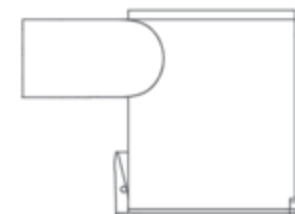
*McGrp.Ru*



Pré-filtro



Sistema Ciclónico

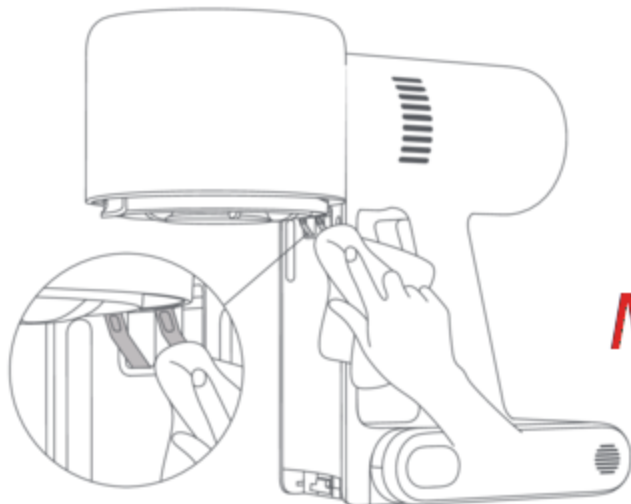


Compartimento do pó

Notas:

- O compartimento do pó deve ser lavado pelo menos uma vez por mês.
- O pré-filtro e o sistema ciclónico devem ser limpos uma vez a cada 3-4 meses.

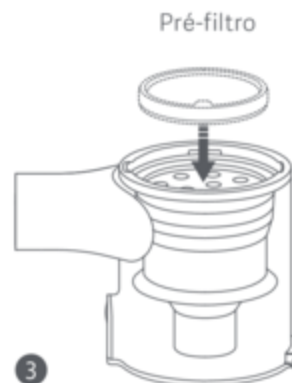
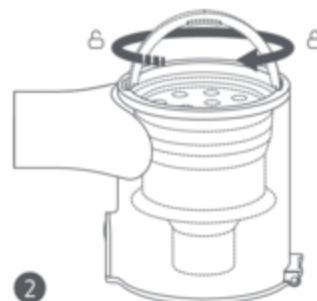
6. Se os pontos de contacto do aspirador estiverem sujos, limpe-os com um pano macio e seco.



## Instalação do Compartimento do Pó, do Pré-Filtro e do Sistema Ciclónico

1. Insira o sistema ciclónico verticalmente no compartimento do pó e certifique-se de que a pega do sistema ciclónico fica alinhada com a ranhura do lado esquerdo do compartimento do pó. Rode a pega para a esquerda até bloquear. De seguida, ponha a pega para baixo.
2. Coloque o pré-filtro no sistema ciclónico, com a parte da frente virada para cima.

*McGrp.Ru*



### Notas:

- Não utilize detergentes, produtos de polimento ou ambientadores para limpar o compartimento do pó.
- Não limpe o compartimento do pó, o pré-filtro ou o sistema ciclónico na máquina de lavar louça ou na máquina de lavar roupa, nem tente secar nenhum dos componentes na máquina de secar, no forno, micro-ondas ou perto de uma lareira.

3. Incline ligeiramente o compartimento do pó para que a ranhura fique alinhada com a mola do aspirador. Depois empurre o compartimento do pó cuidadosamente até encaixar.



Insira-o até encaixar

## Limpeza do Filtro

1. Retire o compartimento do pó, como indicado na figura.

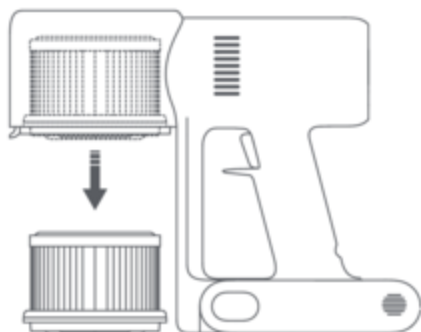


Botão de Desbloqueio do Compartimento do Pó

### Notas:

- Recomenda-se a limpeza do filtro uma vez a cada 4-6 meses.
- É recomendado substituir o filtro uma vez a cada 6-12 meses de acordo com a real condição de uso do filtro.

2. Retire o filtro do aspirador, puxando-o para baixo, na direção indicada na figura.



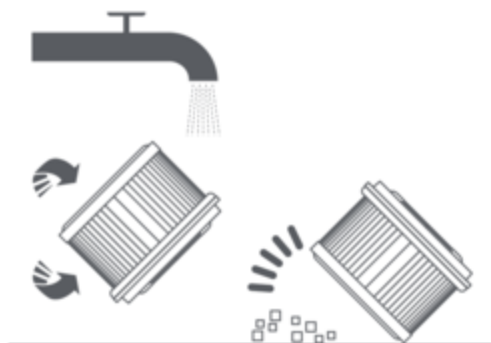
4. Deixe o filtro secar bem durante pelo menos 24 horas.



3. Limpe o filtro com água limpa. Certifique-se de que roda o filtro 360 graus para remover completamente todo o pó que estiver lá preso. Bata suavemente no filtro, várias vezes, para remover qualquer excesso de poeira.

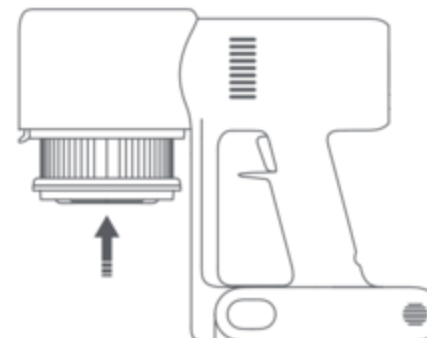
McGrp.Ru Instalação do Filtro

1. Insira o filtro no aspirador e pressione suavemente, conforme ilustrado.



Notas:

- Use apenas água limpa para limpar o filtro. Não use detergente.
- Não tente limpar o filtro com escova ou com os dedos.



2. Reinstale o compartimento do pó.



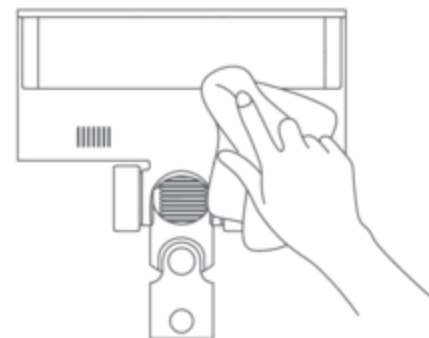
Insira-o até encaixar

## Limpeza da Escova de Chão de Torque Elevado

1. Rode o botão de bloqueio para a esquerda até parar e retire a escova rotativa da escova de chão de torque elevado.



2. Utilize uma tesoura para cortar e remover pelos ou outros detritos emaranhados na escova rotativa. Remova qualquer excesso de pó no encaixe e limpe a tampa de plástico com um pano seco ou uma toalha de papel.

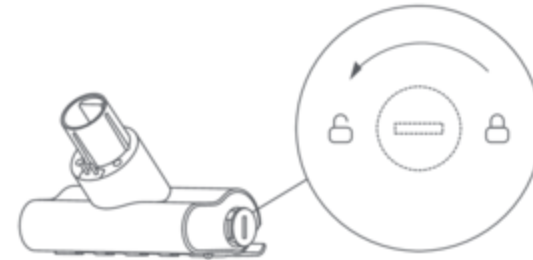


3. Depois de muito uso, a escova rotativa poderá ficar suja e deve ser lavada. Após a lavagem, deixe a escova rotativa secar bem, colocando-a em posição vertical, num espaço bem ventilado, durante pelo menos 24 horas.





### Limpeza da Mini Escova Elétrica

1. Utilize uma ferramenta adequada para rodar o bloqueio no sentido contrário ao dos ponteiros do relógio até ouvir um clique.



**McGrp.Ru**

4. Certifique-se que a escova de rolo está completamente seca, em seguida alinhe o trinco na parte superior da escova de rolo com  para a reinserir. Vire o trinco no sentido dos ponteiros do relógio para  para instalar a escova de rolo no sítio.

2. Depois de desbloquear a escova rotativa, retire-a da mini escova elétrica para a lavar e limpar.



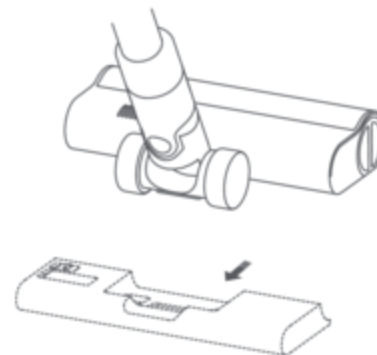


3. Após a lavagem, deixe a escova rotativa secar bem, colocando-a em posição vertical, num espaço bem ventilado, durante pelo menos 24 horas.



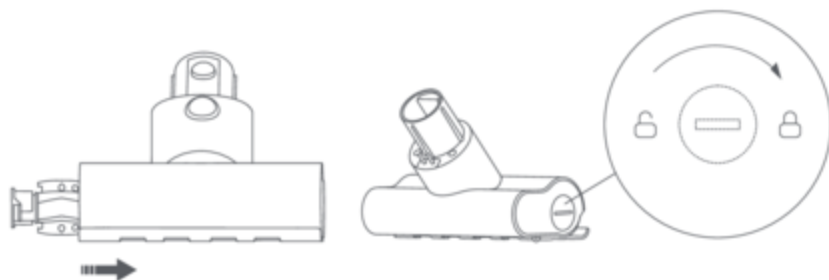
### Limpeza do Depósito de Água e do Pano Mopa

1. Deslize o depósito de água para baixo para o separar da barra escova de alto torque.



**McGrp.Ru**

4. Assim que a escova rotativa estiver seca, coloque-a novamente, seguindo os passos de desmontagem na ordem inversa



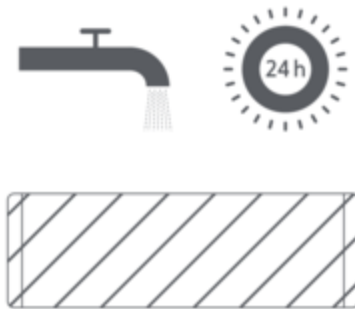
2. Despeje o depósito de água.



3. Retire o pano mopa do depósito de água.



4. Limpe e seque o pano mopa.



Notas:

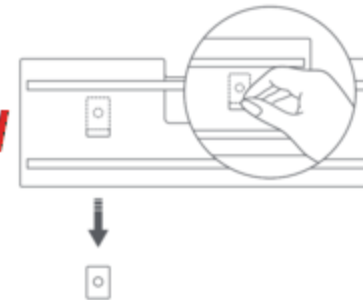
- Quando o aspirador estiver a carregar ou não estiver a ser utilizado, remova o depósito de água e despeje qualquer resto de água, para prevenir bolores ou odores persistentes.
- Após a lavagem do chão, retire o pano mopa e lave-o, para não entupir a saída de água com água suja.
- Se o pano mopa estiver desgastado ou danificado e já não aderir ao depósito de água, deverá substituí-lo para garantir o desempenho de limpeza ideal.

## Filtro Doseador de Água

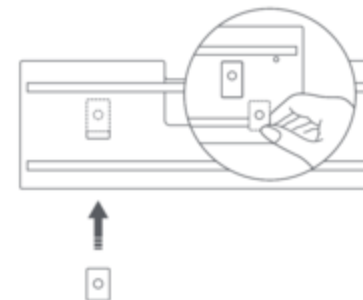
O filtro doseador de água deve ser substituído se o depósito de água demorar demasiado a dispensar a água ou estiver entupido.

Para garantir a eficácia de lavagem ideal, recomendamos que substitua os filtros doseadores de água uma vez a cada 3-6 meses, conforme a qualidade da água e a frequência de uso.

1. Com os dedos, deslize para fora os filtros doseadores de água velhos, à esquerda e direita de cada ranhura.



2. Introduza os filtros doseadores de água novos e verifique se ficaram devidamente instalados.

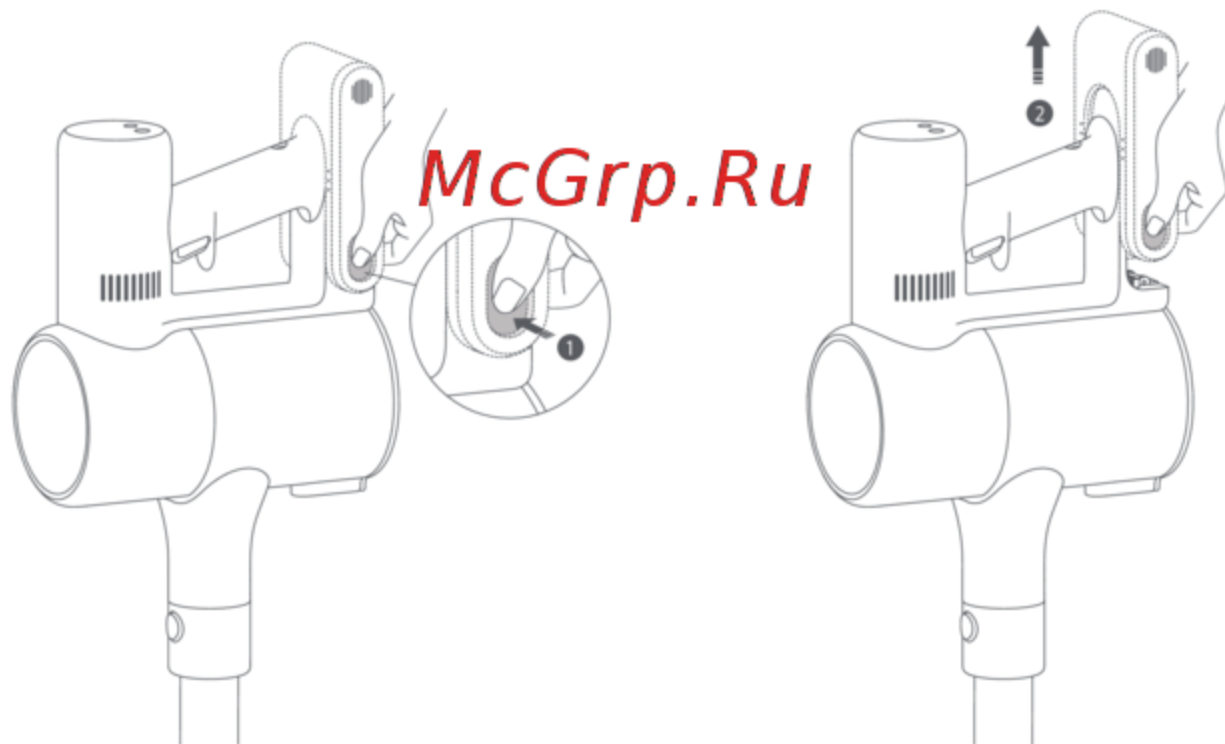


*McGrp.Ru*

## Bateria

O aspirador tem uma bateria de íões de lítio recarregável, removível, com um número limitado de ciclos de recarga. Depois de muito uso, a bateria poderá já não reter a carga. Se tal acontecer, isso significa que a bateria esgotou a sua vida útil e terá de ser substituída.

1. Pressione o botão de desbloqueio da bateria e deslize-a para a direita, como ilustrado, para removê-la.
2. Instale a bateria nova.



## Especificações

Aspirador sem Fio			
Modelo	B207	Tensão nominal	25,2 V ---
Tensão da carga	30,8 V ---	Capacidade da bateria	3000 mAh (Capacidade nominal) 2800 mAh (Capacidade real)
Potência nominal	425 W	Capacidade do Compartimento do Pó	0,6 L
Tempo de carregamento	Aproximadamente 4 horas	Peso líquido	1,7 kg
Dimensões do produto	1286 × 214 × 256 mm	Peso líquido (com acessórios)	4,2 kg
Escova de Chão de Torque Elevado		Mini Escova Elétrica	
Modelo	VMH1	Modelo	VTV104B
Potência nominal	40 W	Potência nominal	20 W
Tensão nominal	25,2 V ---	Tensão nominal	25,2 V ---
Carregador			
Fabricante	Zhongshan Baolijin Electronic Co., Ltd.	Eficiência média ativa	87,5%
Modelo	BLJ24W308080P-V	Eficiência a baixa carga (10%)	77,9%
Entrada	100-240 V ~ 50/60 Hz 0,8 A	Consumo de energia sem carga	0,10 W
Saída	30,8 V --- 0,8 A		
Bateria de Iões de Lítio Recarregável			
Modelo	V2210-7S1P-BCA/V2210-7S1P-BWA	Capacidade nominal	3000 mAh
Tensão Nominal	25,2 V ---	Capacidade real	2800 mAh
Energia	70,56 Wh		

## Informação sobre o cumprimento da regulamentação

---

### Declaração de conformidade da UE



A Dreame (Tianjin) Information Technology Co., Ltd., pelo presente, declara que este equipamento está em conformidade com as diretivas e normas europeias aplicáveis, e as respetivas alterações. O texto completo da declaração de conformidade da UE está disponível em: <http://www.mi.com/global/service/support/declaration.html>

Para consultar o manual detalhado online, visite [www.mi.com/global/service/userguide](http://www.mi.com/global/service/userguide)

### Informações relativas aos REEE



Todos os produtos que apresentem este símbolo são considerados resíduos de equipamentos elétricos e eletrónicos (REEE, conforme a Diretiva 2012/19/UE), não devendo ser misturados com resíduos domésticos indiscriminados. Em vez disso, o utilizador deve proteger a saúde humana e o meio ambiente e entregar o respetivo equipamento num ponto de recolha designado para reciclagem de resíduos de equipamentos elétricos e eletrónicos, indicado pelo governo ou pelas autoridades locais. A correta eliminação e a reciclagem ajudarão a prevenir eventuais consequências negativas para o meio ambiente e a saúde humana. Para obter mais informações sobre os locais e os termos e condições de tais pontos de recolha, entre em contacto com a entidade responsável pela instalação ou com as autoridades locais.

**McGrp.Ru**

### Precauções de Segurança da Bateria





- A bateria de íões de lítio contém substâncias nocivas para o ambiente. Antes de se desfazer do aspirador, por favor, remova a bateria e descarte-a ou recicle-a de acordo com as leis e regulamentos locais do país ou região em que se encontra.
- Em condições abusivas, é possível que seja ejetado líquido da bateria. Evite contactar com o líquido, pois o mesmo pode causar irritação ou queimaduras. Em caso de contacto accidental, lave com água. Se o líquido entrar em contacto com os olhos, procure assistência médica.

## Resolução de problemas

Problema	Causa provável	Soluções
O aspirador não funciona.	Está sem bateria ou tem a bateria fraca.	Carregue totalmente o aspirador antes de o voltar a utilizar.
	Entra no modo de proteção contra sobreaquecimento, acionado por obstrução.	Retire quaisquer obstruções e reinicie o aspirador quando este arrefecer.
	A abertura de sucção ou a passagem do ar está obstruída.	Limpe quaisquer obstruções na abertura de sucção ou na passagem do ar.
O poder de sucção é reduzido.	O compartimento do pó está cheio e/ou o filtro está entupido.	Esvazie o compartimento do pó e limpe o filtro.
	A escova de chão de torque elevado, o cabo extensível ou uma das outras peças está obstruída.	Limpe quaisquer obstruções na escova de chão de torque elevado, no cabo extensível ou outra peça.
O motor faz um barulho estranho.	A abertura de sucção principal ou o cabo extensível está bloqueado.	Limpe quaisquer obstruções na abertura de sucção principal ou no cabo extensível.
O primeiro indicador fica vermelho depois de ligar o aspirador.	A bateria está danificada.	Por favor, contacte o serviço pós-venda para agendar a manutenção.
O primeiro indicador pisca a vermelho quando o aspirador está a carregar.	O carregador é incompatível.	Utilize apenas o carregador original para carregar o aspirador.
O indicador da bateria não acende durante o carregamento.	O carregador não está ligado ao aspirador.	Certifique-se de que o carregador está devidamente ligado.
	A bateria está totalmente carregada e entra em modo de repouso.	O aspirador pode ser usado normalmente.
	Se o problema persistir após descartar as duas possibilidades acima referidas, por favor, contacte o serviço pós-venda para assistência.	
A bateria carrega lentamente.	A temperatura da bateria está demasiado baixa ou demasiado alta.	Aguarde até que a temperatura da bateria estabilize e retome a utilização.
O depósito de água não está a dispensar água ou demora demasiado a dispensar.	O filtro doseador de água está entupido.	Limpe ou substitua o filtro doseador de água.
	O pano mopa está sujo.	Limpe ou substitua o pano mopa.

## Ícone de erro

Se o aspirador não estiver a funcionar devidamente, será exibida uma mensagem de erro no visor. Por favor, consulte a tabela abaixo para encontrar a solução adequada de acordo com a mensagem de erro.

Ícone de erro	Mensagem de erro	Solução
	Ventilação bloqueada	Verifique se há alguma obstrução no compartimento do pó, no cabo extensível e/ou na escova de chão de torque elevado.
	Escova rotativa bloqueada	Consulte a "Limpeza da Escova de Chão de Torque Elevado", na secção Cuidados e manutenção, para instruções sobre como remover pelos e outros detritos presos à escova rotativa.
	Alerta de Temperatura Elevada	Aguarde até que a temperatura da bateria estabilize antes de retomar a utilização.
	O filtro não está instalado	Certifique-se de que o filtro e o pré-filtro estão devidamente instalados.

Se algum dos códigos de erro entre E0 e E4 forem exibidos no visor, por favor, contacte a equipa do serviço pós-venda para proceder à reparação.

## Инструкция по технике безопасности

---

Данное изделие предназначено исключительно для бытового использования. Перед использованием внимательно прочтите данное руководство. Сохраните его — оно может понадобиться вам в дальнейшем.

Дети в возрасте от 8 лет и лица с ограниченными физическими, сенсорными или умственными способностями или недостаточным опытом и знаниями могут использовать этот прибор под наблюдением или после получения инструкций по технике безопасности и осознания возможных рисков. Дети не должны играть с прибором. Не разрешайте детям чистить устройство и выполнять другие действия по уходу за ним без присмотра взрослых.

Не используйте данное изделие при температуре окружающей среды ниже 5 °C или выше 38 °C, а также если на полу разлита жидкость или липкое вещество.

Если зарядное устройство или аккумулятор повреждены, их необходимо заменить специальным кабелем или комплектом, которые можно приобрести у производителя или его сервисного агента.

Чтобы снизить риск пожара, взрыва или телесных повреждений, перед использованием устройства убедитесь, что литий-ионный аккумулятор и зарядное устройство не повреждены. Не используйте пылесос, если аккумулятор или зарядное устройство повреждены.

Используйте пылесос только для очистки сухих поверхностей в помещениях. Не устанавливайте, не заряжайте и не используйте данное устройство на улице, в ваннных комнатах и на территории вокруг бассейна.

Не прикасайтесь к вилке или какой-либо другой части пылесоса влажными руками.

Турбо-щетка с валиком, маленькая электрическая щетка, аккумулятор, шланг и пылесос проводят электрический ток, поэтому их не следует погружать в воду и другие жидкости. Тщательно высушивайте все детали после очистки.

Во избежание травм, вызванных подвижными деталями, отключайте пылесос перед очисткой турбо-щеткой с валиком и маленькой электрической щетки. Перед использованием пылесоса убедитесь, что турбо-щетка с валиком, контейнер для пыли и фильтр установлены надлежащим образом.

Не используйте пылесос для сбора легковоспламеняющихся и горючих жидкостей, таких как бензин, отбеливатели, аммиак и очистители труб, а также других жидкостей, например воды.



Не используйте пылесос для сбора частиц гипсокартона, пепла (например, от камина) и дымящихся или горящих материалов (например, угля, окурков или спичек).

Не используйте пылесос для сбора острых и твердых предметов, таких как стекло, гвозди, винты или монеты, которые могут повредить изделие.

Не допускайте попадания волос, свободной одежды, пальцев и других частей тела в отверстия и движущиеся части пылесоса. Не приближайте отверстие для всасывания, шланг и другие аксессуары к глазам и ушам, а также не кладите их в рот.

Не кладите никакие предметы в отверстия пылесоса и не используйте его, если какое-либо отверстие закрыто. Убирайте пыль, пух, волосы и другой мусор, который может заблокировать поток воздуха.

Не прислоняйте пылесос к стульям, столам и другим неустойчивым поверхностям, так как это может привести к повреждению изделия или травмам. В случае некорректности пылесоса, вызванной опрокидыванием или повреждением, обратитесь в уполномоченный сервисный центр. Не пытайтесь самостоятельно разобрать пылесос.

Перед использованием пылесоса убедитесь, что крышка контейнера для пыли, фильтр предварительной очистки, циклонный блок и фильтр установлены правильно.

Убедитесь, что зарядное устройство отключено, если оно не используется в течение длительного периода времени, а также перед выполнением какого-либо обслуживания или ремонта.

Будьте особенно осторожны при использовании пылесоса на лестнице.

Предупреждение о пожарной безопасности: Не добавляйте в фильтр пылесоса какие-либо ароматизаторы. Они часто содержат легковоспламеняющиеся химические вещества, из-за которых может случиться возгорание пылесоса.

НЕ подвергайте аккумулятор и устройство воздействию огня, так как это может привести к взрыву.

НЕ допускайте попадания пресной или соленой воды, либо других жидкостей на аккумулятор и устройство, а также их погружения в такие жидкости.

**ПРЕДУПРЕЖДЕНИЕ:** Не используйте сторонние аккумулятор и зарядное устройство.

Для этого устройства необходимо использовать только зарядное устройство BLJ24W308080P-V.

Для этого устройства необходимо использовать только аккумулятор V2210-7S1P-BCA/V2210-7S1P-BWA.

Применяйте это устройство согласно руководству пользователя. Пользователи несут ответственность за убытки и ущерб, которые возникли из-за несоблюдения инструкций.

Меры предосторожности при хранении и транспортировке:

- Продукт должен транспортироваться в упаковке. Не подвергайте продукт давлению или ударам во время транспортировки.
- Не транспортируйте прибор при температуре выше 50 °С или ниже –20 °С.
- В течение короткого периода, например одного месяца, прибор рекомендуется хранить при температуре от –20 °С до 50 °С и относительной влажности 60 % ± 5 %. В течение длительного времени храните прибор при температуре окружающей среды от 0 °С до 40 °С.
- Утилизируйте прибор надлежащим образом. Когда его срок службы подойдет к концу, утилизируйте прибор в соответствии с местными законами и правилами страны или региона, в котором он используется.

Правила и условия реализации: без ограничений.

Сведения об импортере и контактная информация отдела послепродажного обслуживания указаны на упаковке.

Дата изготовления: см. на упаковке

Срок службы продукции: 3 года.

Соответствие техническим регламентам:

ТР ТС 020/2011 «Электромагнитная совместимость технических средств»

ТР ТС 004/2011 «О безопасности низковольтного оборудования»

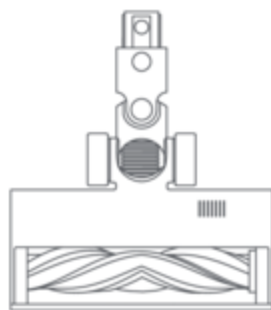
ТР ЕАЭС 037/2016 «Об ограничении применения опасных веществ в изделиях электротехники и радиоэлектроники»

## Описание изделия

### Список аксессуаров



Шланг



Турбо-щетка с валиком



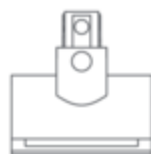
Щелевая насадка



Зарядное устройство



Крепление для зарядки и хранения "2 в 1"  
(в комплект входят 2 винта, 2 дюбеля и наклейка с монтажным шаблоном)



Маленькая электрическая  
насадка-щетка



Насадка-щетка "2 в 1"



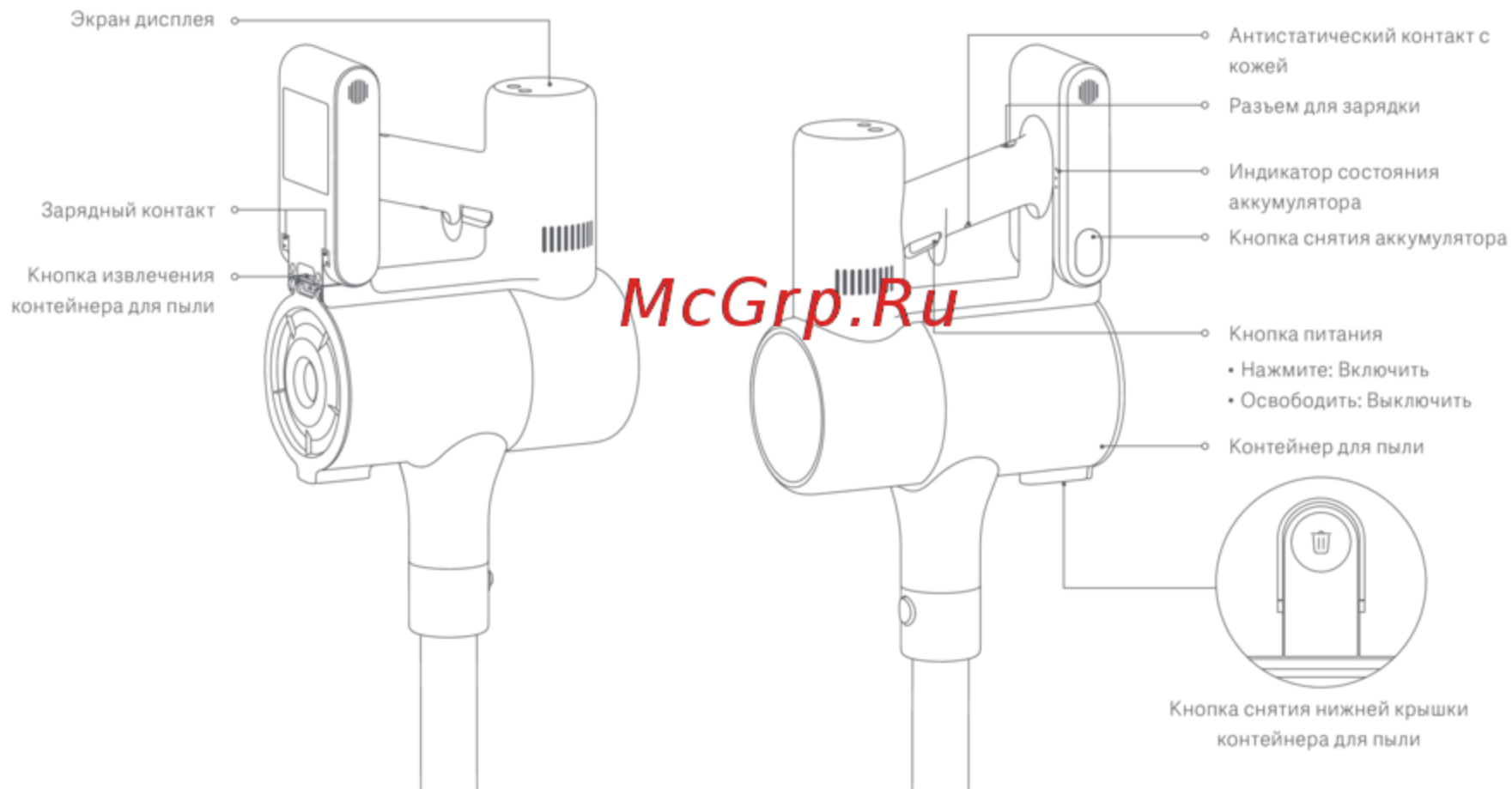
Резервуар для воды



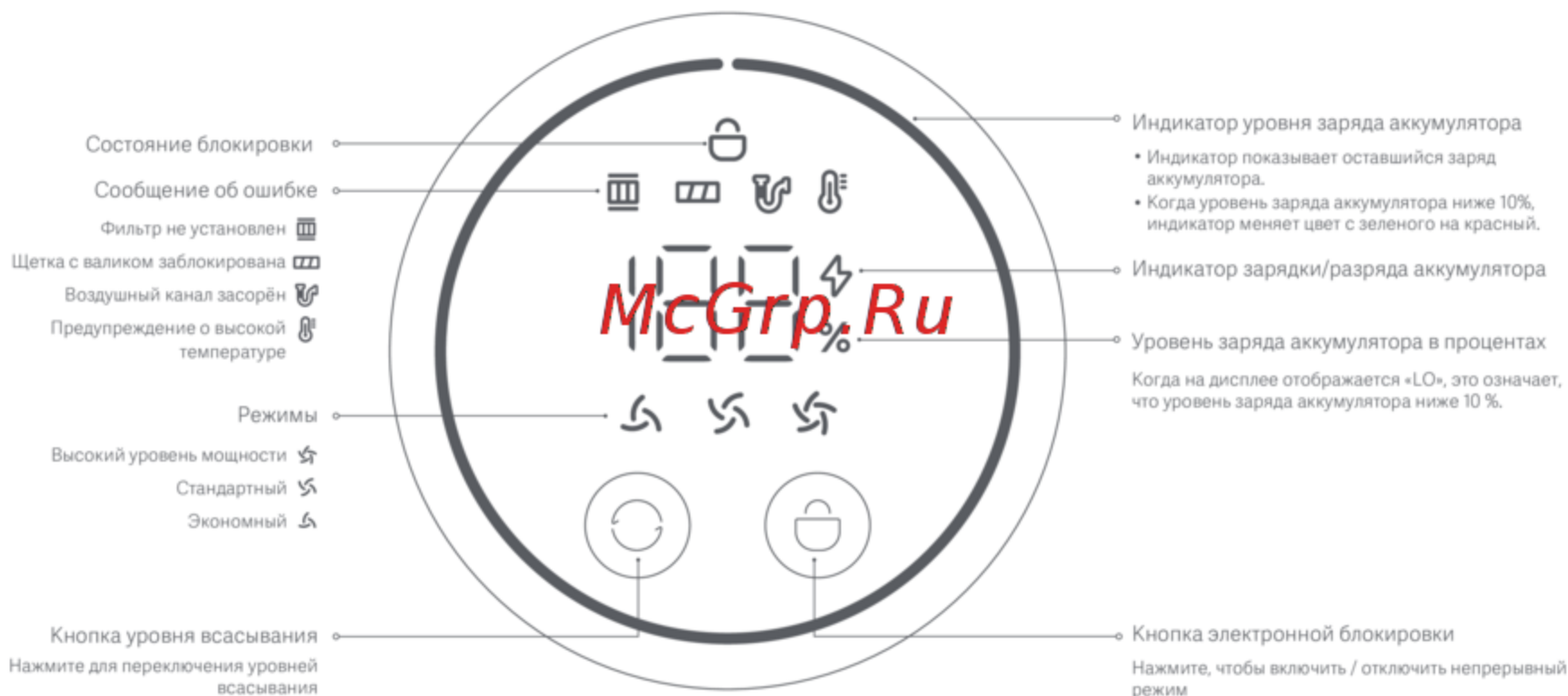
Губка для влажной уборки  
(предустановлены)

Примечание: Изображения устройства, аксессуаров и пользовательского интерфейса в руководстве пользователя приведены исключительно в справочных целях. Фактические характеристики прибора и его функции могут отличаться в связи с улучшениями продукта.

Название компонента



## Экран дисплея

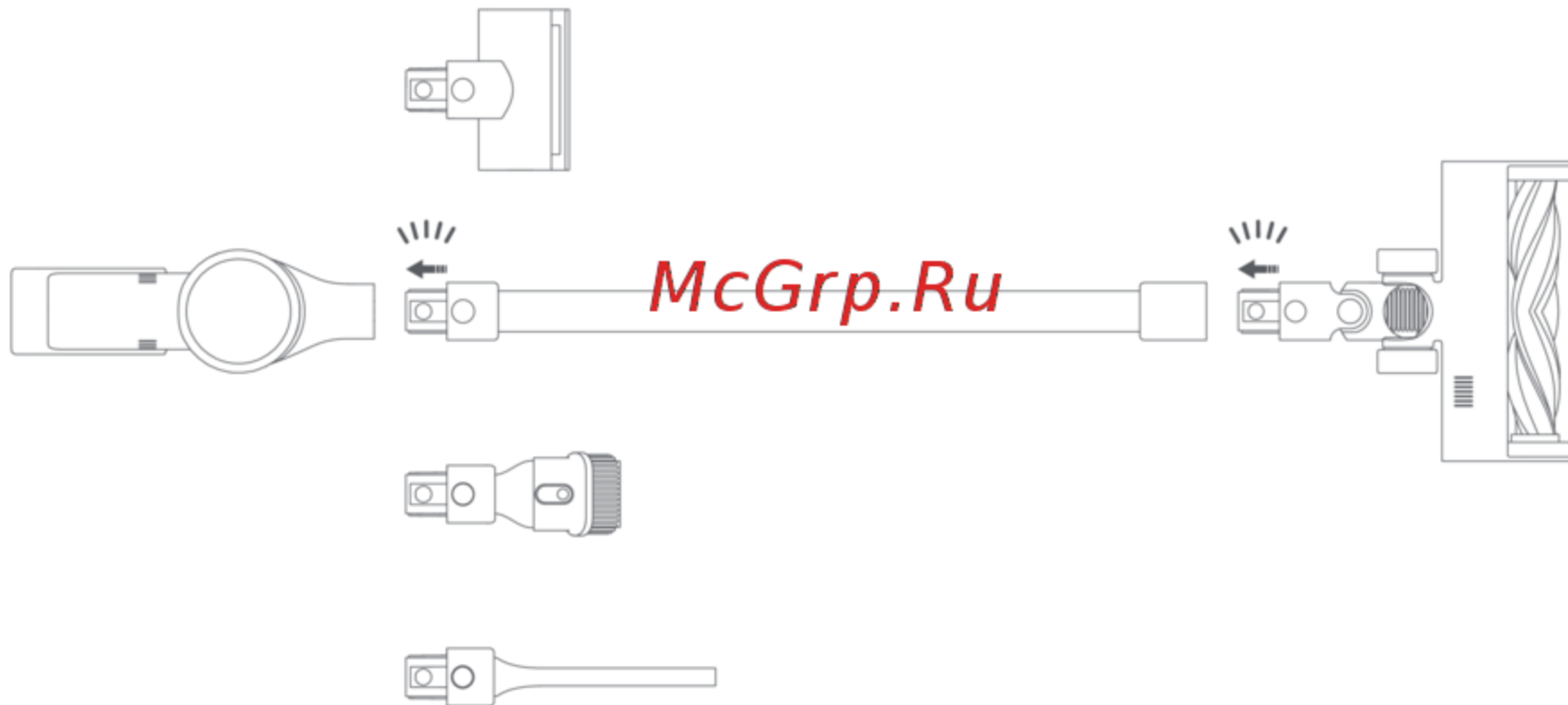


Примечание: В случае неисправности пылесоса на дисплее появится сообщение об ошибке. Решение можно найти в разделе "Устранение неполадок".

## Инструкции по установке

### Установка аксессуаров на пылесос

 Вставляйте, пока не услышите щелчок

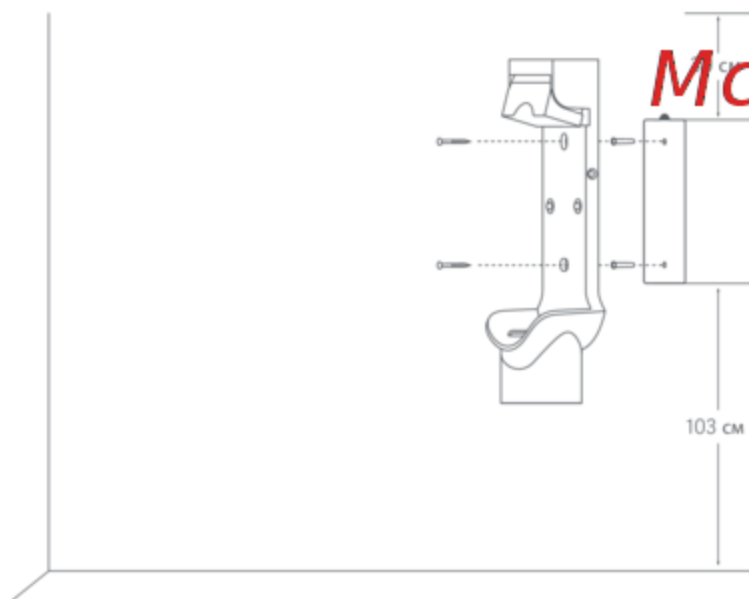


Примечание: Маленькую электрическую насадку-щетку не следует использовать со шлангом.

<https://mcgrp.ru/>

## Установка крепления для зарядки и хранения "2 в 1"

1. Крепление для зарядки и хранения "2 в 1" следует устанавливать в прохладном и сухом месте рядом с электрической розеткой. Перед монтажом убедитесь, что непосредственно за местом установки крепления нет проводов и труб.
2. Нижний край наклейки с монтажным шаблоном должен располагаться параллельно полу на расстоянии не менее 1,03 м от него, а над ее верхним краем необходимо оставить зазор не менее 30 см.
3. При помощи перфоратора со сверлом на 8 мм просверлите отверстие через соответствующие отметки на наклейке, а затем вставьте дюбель в каждое отверстие.
4. Сопоставьте монтажные отверстия на креплении для зарядки и хранения "2 в 1" с отверстиями в стене, а затем прикрутите установку к стене с помощью прилагающихся винтов.



Рекомендуемая высота: не менее 1,03 м от пола



## Зарядка

### Индикатор состояния аккумулятора

Примечание: ○ означает выключено, ◐ означает включено, ◑ означает мигание.

- ◑ ○ ○ Низкий уровень заряда аккумулятора
- ◑ ○ Средний уровень заряда аккумулятора
- ● ◑ Почти полный уровень заряда аккумулятора
- ● ● Полный уровень заряда аккумулятора

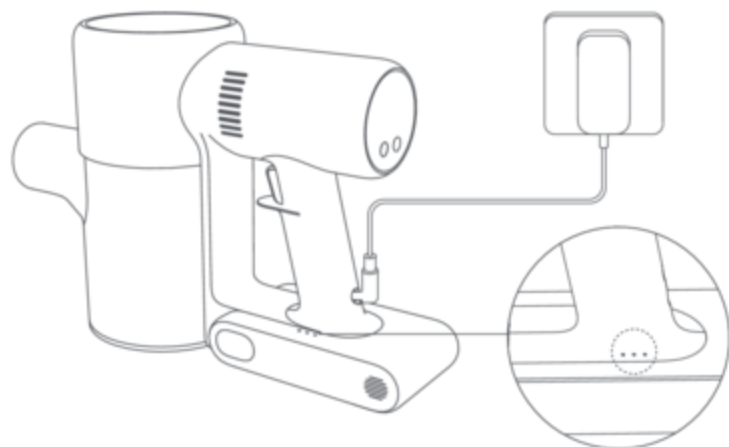
Индикатор погаснет через 5 минут после полной зарядки аккумулятора, а пылесос перейдет в энергосберегающий режим.

### Экран дисплея

Число на дисплее обозначает текущий уровень заряда аккумулятора в процентах во время зарядки. Значение 100 означает, что аккумулятор полностью заряжен.

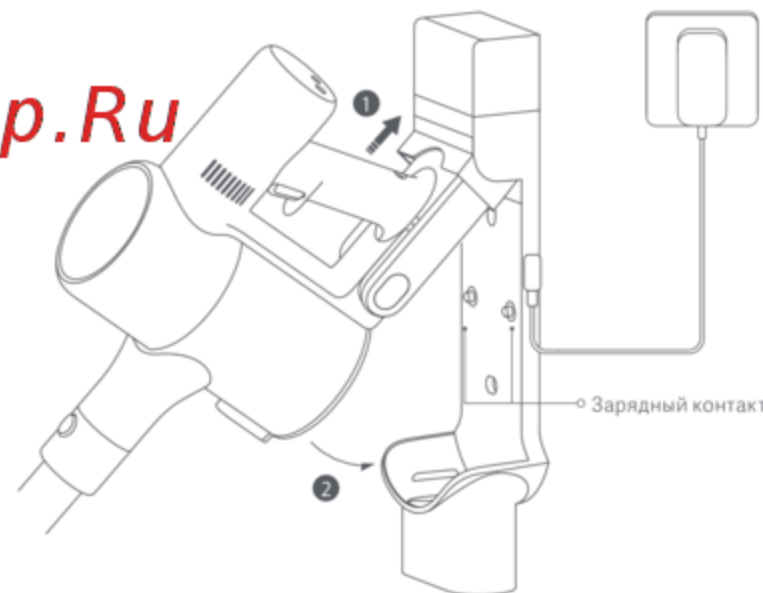
Во время зарядки пылесоса, вы можете нажать кнопку питания, чтобы активировать дисплей и проверить текущий процент зарядки.

**McGrp.Ru**



Индикатор состояния аккумулятора

Зарядка пылесоса с помощью зарядного устройства



Зарядка пылесоса в креплении для зарядки


### Примечания:

- Полностью зарядите пылесос перед первым использованием. Это займет около 4 часов.
- Пылесос нельзя использовать во время зарядки.
- Продолжительная уборка с максимальным уровнем всасывания приведет к нагреву аккумулятора, что может увеличить время зарядки. Перед зарядкой пылесоса рекомендуется дать ему остыть в течение 30 минут.



## Инструкция

### Переключение уровней всасывания

Нажмите кнопку  для переключения между уровнями всасывания пылесоса (Эко-режимом, Стандартным и Турборежимом). Соответствующий индикатор уровня всасывания будет указан на дисплее.

Примечание. После выключения и повторного включения пылесоса уровень всасывания будет последним из использованных.

### Режимы работы

Пылесос поддерживает два режима работы, которые можно выбирать в соответствии с потребностями.



- Режим прерывистой работы

Удерживайте кнопку питания, чтобы запустить пылесос, и отпустите ее, чтобы остановить устройство.

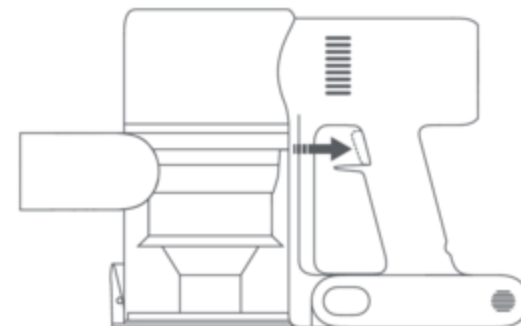


Режим прерывистой работы

- Режим непрерывной работы

Нажмите кнопку  для перехода в режим непрерывной работы, а затем нажмите кнопку питания, чтобы включить пылесос. Чтобы выйти из режима непрерывной работы, нажмите кнопку .

При включении режима непрерывной работы пылесос может непрерывно работать без необходимости удерживать кнопку питания, что поможет освободить пальцы.



Режим непрерывной работы

Примечания:

- Пылесос переходит из режима непрерывной работы в режим ожидания при нажатии кнопки питания и возобновляет работу при повторном нажатии этой кнопки.
- Если пылесос останется в режиме ожидания дольше 10 секунд, дисплей погаснет, а пылесос выйдет из режима непрерывной работы.

## Использование разных аксессуаров

Турбо-щетка с валиком: для очистки различных напольных покрытий, например, дерева, мрамора, плитки и ковров.

Примечание: Турбо-щетку с валиком можно подключить непосредственно к пылесосу.



Маленькая электрическая насадка-щетка: для уборки грязи, шерсти животных и другого стойкого мусора с диванов, матрасов и других тканевых поверхностей.

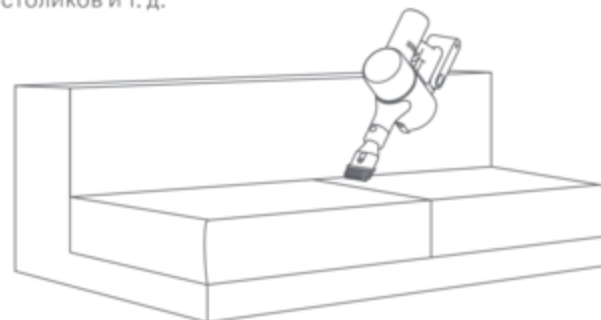


**McGrp.Ru**

Щелевая насадка: для уборки в узких щелях и участках вокруг дверей, окон, плинтусов, углов, ступенек и т. д.



Насадка-щетка "2 в 1": для очистки штор, диванов, салонов автомобилей, кофейных столиков и т. д.



Примечание:

- Если какая-либо вращающаяся деталь заклинит, пылесос может автоматически отключиться. Уберите застрявшие посторонние предметы, а затем продолжите использование.
- Когда срабатывает защита аккумулятора от высоких температур, пылесос автоматически прекращает работу. Подождите, пока температура аккумулятора не нормализуется, а затем продолжите использование.

## Использование функции влажной уборки

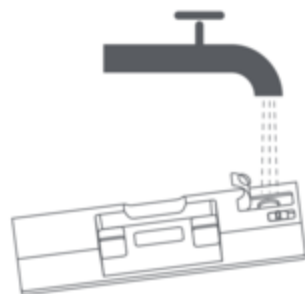
Примечания:

- Не наступайте на резервуар для воды, это может привести к необратимым повреждениям.
- Для получения лучших результатов сильно загрязненные полы следует пылесосить перед влажной уборкой.
- Не используйте функцию влажной уборки для чистки ковров.
- Не используйте чистящие и дезинфицирующие средства.

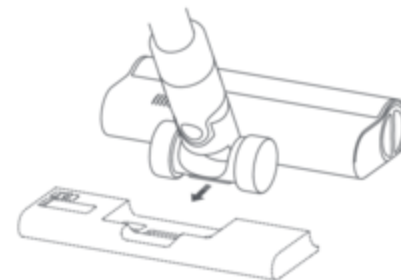
1. Смочите губку для влажной уборки и выжмите из нее лишнюю воду, а затем надежно прикрепите ее к нижней части резервуара для воды.



2. Откройте крышку резервуара для воды, добавьте нужное количество чистой воды и закройте крышку.



3. Присоедините щетку с высоким крутящим моментом к резервуару для воды, сопоставив магниты на компонентах.



4. Эта функция предназначена для уборки и протирания паркетных и плиточных полов.



OFF (ВЫКЛ) → ON (ВКЛ)

Примечания:

- Шаровой клапан резервуара для воды контролирует количество выпускаемой воды. Шарик является подвижной деталью и может издавать звуки при запуске и остановке. Это нормально.
- Когда изделие не используется, переводите переключатель в положение OFF (ВЫКЛ).

## Уход и техническое обслуживание

### Меры предосторожности при уходе за устройством

- Используйте оригинальные запчасти, иначе гарантия может быть аннулирована.
- Если фильтр, шланг или турбо-щетка с валиком засорится, пылесос вскоре прекратит работу. Чтобы снова запустить его, очистите засоренный компонент.
- Если вы не планируете использовать пылесос в течение длительного периода, полностью зарядите его, отключите от розетки и храните в прохладном месте с низкой влажностью вдали от прямых солнечных лучей. Во избежание избыточной разрядки аккумулятора заряжайте пылесос как минимум раз в три месяца.

### Чистка пылесоса

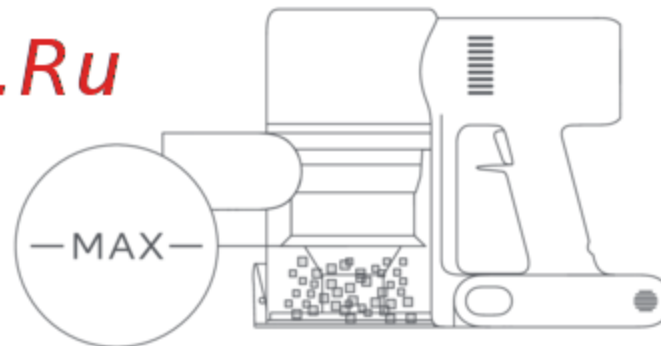
Протрите пылесос мягкой сухой тканью.



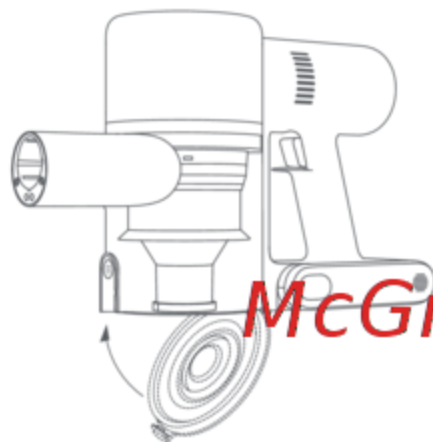
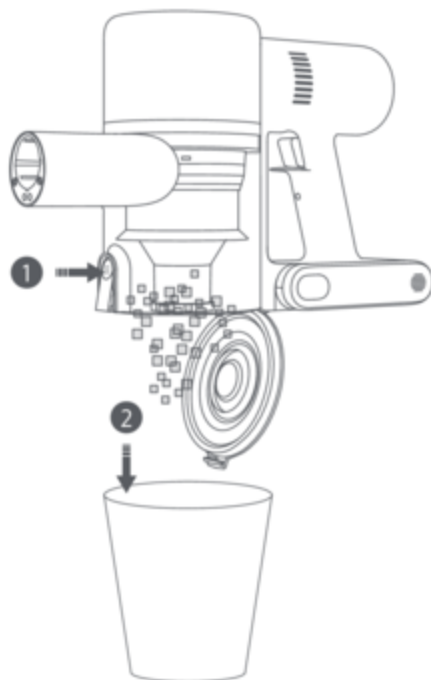
### Чистка контейнера для пыли, фильтра предварительной очистки и циклонного блока

1. Если контейнер для пыли заполнен до отметки MAX, эффективность работы пылесоса значительно снижается. Для оптимальной работы своевременно опорожняйте контейнер для пыли. Перед опорожнением контейнера убедитесь, что пылесос отключен от розетки, и не нажимайте кнопку питания.

*McGrp.Ru*

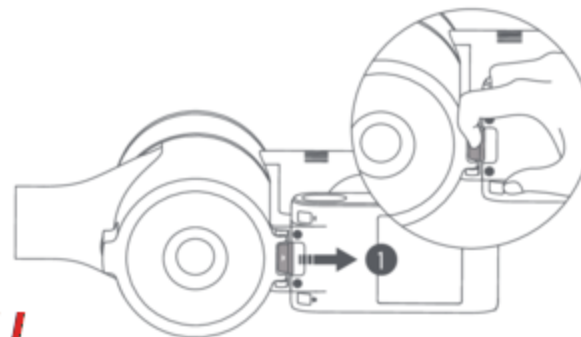


2. Нажмите кнопку снятия нижней крышки контейнера для пыли, а затем извлеките содержимое.

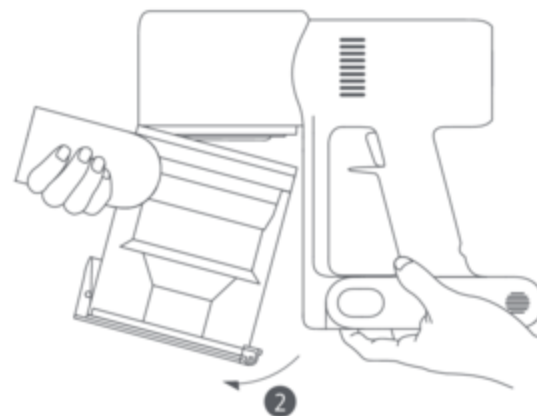


McGrp.Ru

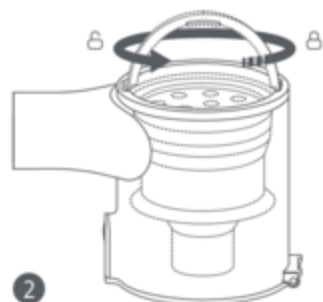
3. Потяните переключатель фиксатора пылесборника в направлении, показанном на рисунке 1, затем извлеките пылесборник из пылесоса, как показано на рисунке 2.



Кнопка извлечения контейнера для пыли



4. Сначала выньте фильтр предварительной очистки, снимите ручку циклонного блока и поверните ее против часовой стрелки до упора, а затем вытяните циклонный блок.



5. Дочиста промойте фильтр предварительной очистки, циклонный блок и контейнер для пыли водой, а затем отложите все детали как минимум на 24 часа, чтобы они полностью высогли.



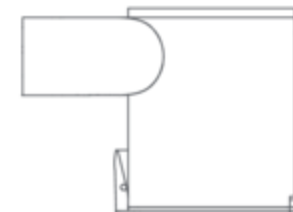
*McGrp.Ru*



Фильтр предварительной очистки



Циклонный блок

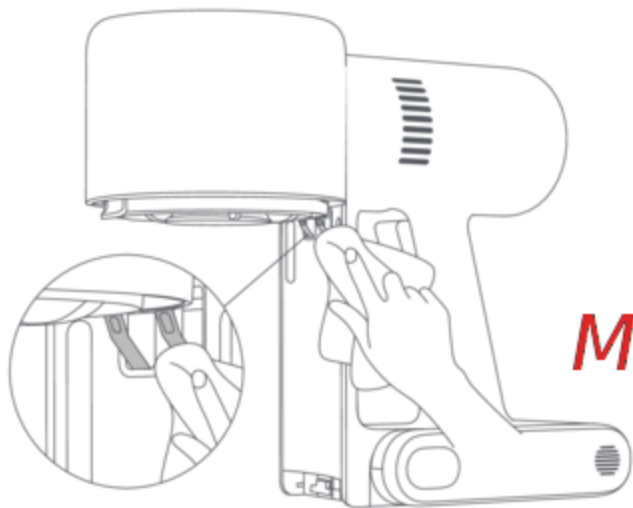


Контейнер для пыли

Примечания:

- Контейнер для пыли следует промывать как минимум раз в месяц.
- Фильтр предварительной очистки и циклонный блок следует чистить раз в 3–4 месяца.

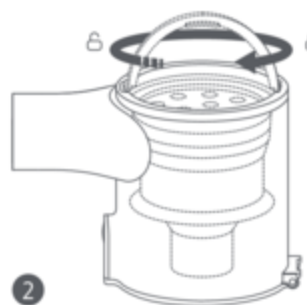
6. Если контактные точки пылесоса загрязнились, протрите их мягкой сухой тканью.



### Установка контейнера для пыли, фильтра предварительной очистки и циклонного блока

1. Вставьте циклонный блок в вертикальном положении в контейнер для пыли и убедитесь, что ручка циклонного блока сопоставлена с отверстием на левой стенке контейнера для пыли. Поверните ручку против часовой стрелки до упора, а затем опустите ее.
2. Вставьте фильтр предварительной очистки в циклонный блок передней стороной вверх.

*McGrp.Ru*



Фильтр предварительной очистки



#### Примечания:

- Не используйте чистящие средства, полироли и освежители воздуха при чистке контейнера для пыли.
- Не мойте контейнер для пыли, фильтр предварительной очистки и циклонный блок в посудомоечной или стиральной машине, а также не пытайтесь сушить какой-либо компонент в сушилке, печи, микроволновой печи или у открытого огня.

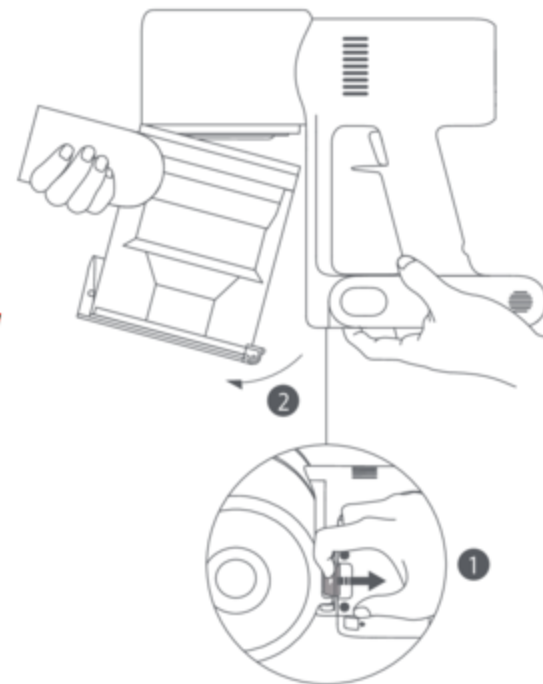
3. Слегка наклоните контейнер для пыли, чтобы отверстие на нем сопоставилось с фиксатором на пылесосе. Затем осторожно протолкните контейнер для пыли до щелчка.



Вставляйте, пока не услышите щелчок

### Чистка фильтра

1. Снимите контейнер для пыли, как показано на рисунке.



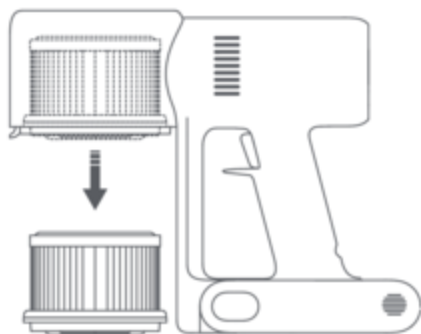
Кнопка извлечения контейнера для пыли

### Примечания:

- Рекомендуется чистить фильтр каждые 4–6 месяцев.
- Рекомендуется заменять фильтр один раз в 6–12 месяцев, в зависимости от фактического использования фильтра.



2. Выньте фильтр из пылесоса, потянув его вниз, как показано на рисунке.

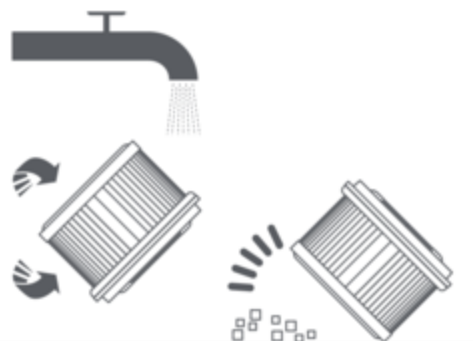


4. Просушите фильтр в течение как минимум 24 часов.



3. Промойте фильтр чистой водой. Обязательно поверните фильтр на 30°, чтобы полностью удалить накопившуюся в нем пыль. Несколько раз легко стукните по фильтру, чтобы убрать избыток грязи.

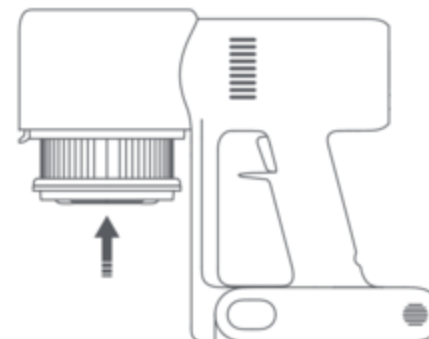
**McGrp.Ru** Установка фильтра



Примечания:

- Промывайте фильтр только чистой водой. Не используйте чистящее средство.
- Не пытайтесь чистить фильтр щеткой или пальцами.

1. Вставьте фильтр в пылесос и слегка надавите на него, как показано на рисунке.



2. Установите контейнер для пыли на место.



Вставляйте, пока не услышите щелчок

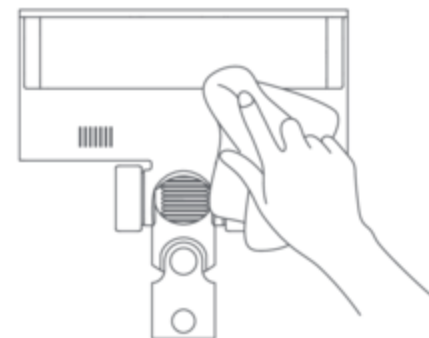
### Чистка турбо-щетки с валиком

1. Поверните замок против часовой стрелки до упора, а затем выньте валик из турбо-щетки.



**McGrp.Ru**

2. С помощью ножниц вырежьте и вытяните волосы и другой мусор, запутавшийся в валике. Сотрите избыток пыли с отверстия и очистите пластиковую крышку с помощью сухой ткани или бумажного полотенца.

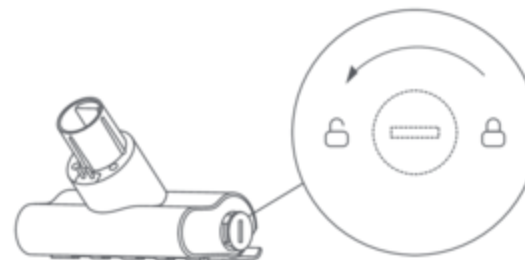



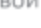
3. После продолжительного использования валик может загрязниться и нуждаться в промывке. После мытья тщательно высушите валик, оставив его в вертикальном положении в хорошо проветриваемом месте как минимум на 24 часа.



### Чистка маленькой электрической насадки-щетki

1. С помощью подходящего инструмента поверните замок против часовой стрелки до щелчка.



4. Убедитесь, что роликовая щетка полностью сухая, а затем совместите фиксатор на верхней части роликовой щетки со значком , чтобы снова вставить ее. Поверните фиксатор по часовой стрелке до значка , чтобы установить роликовую щетку на место.

2. Разблокировав валик, снимите его со щетки, а затем промойте и почистите.

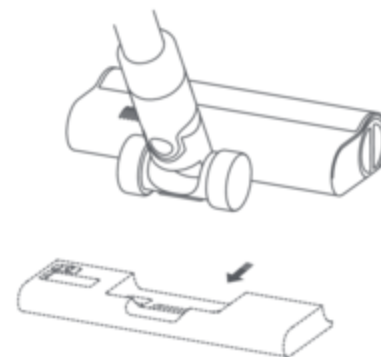


3. После мытья тщательно высушите валик, оставив его в вертикальном положении в хорошо проветриваемом месте как минимум на 24 часа.



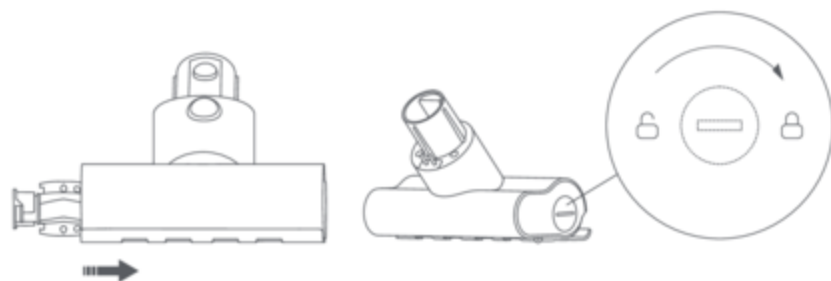
### Чистка резервуара для воды и губки для влажной уборки

1. Сдвиньте резервуар для воды вниз, чтобы отсоединить его от щетки.

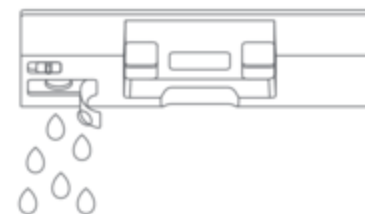


**McGrp.Ru**

4. Когда валик высохнет, установите его на место, выполнив этапы разборки в обратном порядке.



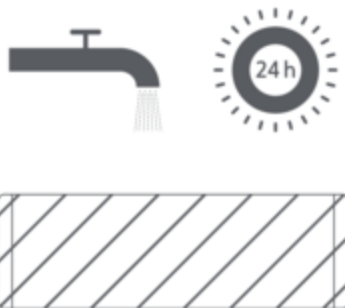
2. Опорожните резервуар для воды.



3. Снимите губку для влажной уборки с резервуара для воды.



4. Вымойте и высушите губку для влажной уборки.



Примечания:

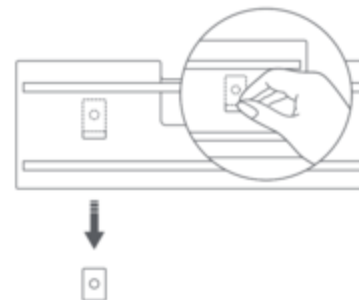
- Когда пылесос заряжается или не используется, выньте резервуар для воды и слейте остатки воды во избежание образования плесени и неприятного запаха.
- После влажной уборки снимите губку и промойте ее, чтобы выпускной патрубок не засорился грязной водой.
- Изношенную или поврежденную губку для влажной уборки, которая больше не держится на резервуаре для воды, необходимо заменить для оптимального качества уборки.

### Фильтр водораздатчика

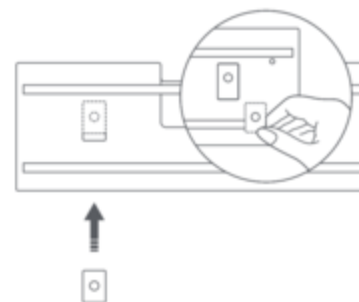
Если резервуар для воды выпускает воду слишком медленно или засорился, следует заменить фильтр водораздатчика.

Для оптимального качества влажной уборки рекомендуется заменять фильтры водораздатчика каждые 3–6 месяцев в зависимости от качества воды и частоты использования.

1. Пальцами извлеките старые фильтры водораздатчика с левой и правой стороны каждого гнезда.



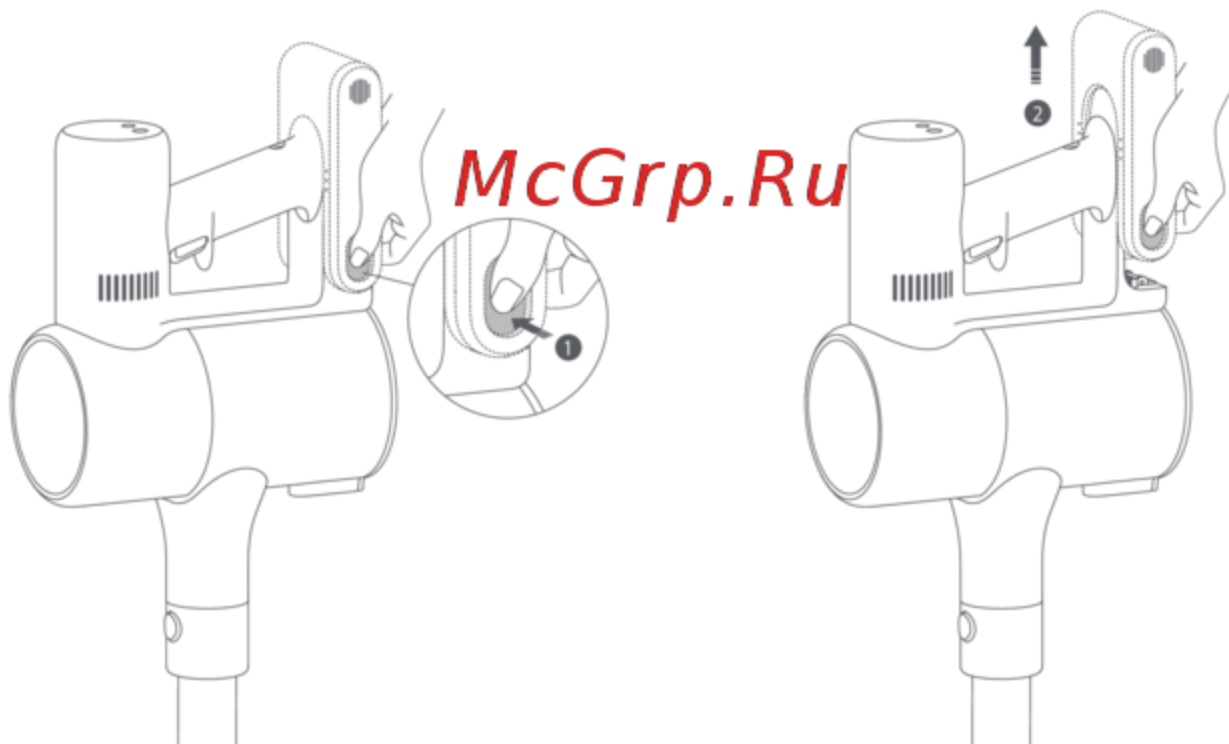
2. Вставьте новые фильтры водораздатчика и убедитесь, что они правильно установлены.



## Аккумулятор

Пылесос содержит съемный литий-ионный аккумулятор с ограниченным количеством циклов зарядки. После продолжительного использования аккумулятор может перестать держать заряд. Это означает, что срок службы аккумулятора подошел к концу и его требуется заменить.

1. Нажмите кнопку снятия аккумулятора и сдвиньте аккумулятор вправо, как показано на рисунке, чтобы снять его.
2. Вставьте новый аккумулятор.



## Технические характеристики

Беспроводной пылесос			
Модель	B207	Номинальное напряжение	25,2 В ---
Напряжение при зарядке	30,8 В ---	Емкость батареи	3000 mAh (Номинальная емкость) 2800 mAh (Реальная емкость)
Номинальная мощность	425 Вт	Емкость контейнера для пыли	0,6 л
Время зарядки	Около 4 ч	Вес нетто	1,7 кг
Размеры изделия	1286 × 214 × 256 мм	Вес нетто (с аксессуарами)	4,2 кг
Турбо-щетка с валиком		Маленькая электрическая насадка-щетка	
Модель	VMH1	Модель	VTV104B
Номинальная мощность	40 Вт	Номинальная мощность	20 Вт
Номинальное напряжение	25,2 В ---	Номинальное напряжение	25,2 В ---
Зарядное устройство			
Изготовитель	Zhongshan Baolijin Electronic Co., Ltd.	Средний КПД в активном состоянии	87,5 %
Модель	BLJ24W308080P-V	КПД при низкой нагрузке (10 %)	77,9 %
Вход	100–240 В ~ 50/60 Гц 0,8 А	Потребляемая мощность без нагрузки	0,10 Вт
Выход	30,8 В --- 0,8 А		
Перезаряжаемый литий-ионный аккумулятор			
Модель	V2210-7S1P-BCA/V2210-7S1P-BWA	Номинальная емкость	3000 мА·ч
Расчетное напряжение	25,2 В ---	Реальная емкость	2800 мА·ч
Энергия	70,56 Вт·ч		

## Информация о соответствии требованиям

---

### Декларация о соответствии нормативным требованиям ЕС



Мы, компания Dreame (Tianjin) Information Technology Co., Ltd. настоящим заявляем, что данное оборудование соответствует требованиям всех действующих директив ЕС и европейских стандартов с изменениями и дополнениями. Полный текст декларации о соответствии нормативным требованиям ЕС доступен по следующему адресу: <http://www.mi.com/global/service/support/declaration.html>  
Подробное электронное руководство см. по адресу [www.mi.com/global/service/userguide](http://www.mi.com/global/service/userguide)

### Информация об утилизации и переработке отходов электрического и электронного оборудования



Все изделия, обозначенные символом раздельного сбора отработанного электрического и электронного оборудования (WEEE, директива 2012/19/EU), следует утилизировать отдельно от несортируемых бытовых отходов. С целью охраны здоровья и защиты окружающей среды такое оборудование необходимо сдавать на переработку в специальные пункты приема электрического и электронного оборудования, определенные правительством или местными органами власти. Правильная утилизация и переработка помогут предотвратить возможные негативные последствия для окружающей среды и здоровья человека. Чтобы узнать, где находятся такие пункты сбора и как они работают, обратитесь в компанию, занимающуюся установкой оборудования, или в местные органы власти.

**McGrp.Ru**

### Меры предосторожности по безопасной использованию аккумулятора

- Литий-ионный аккумулятор содержит вещества, представляющие опасность для окружающей среды. Перед утилизацией пылесоса сначала выньте аккумулятор и утилизируйте или сдайте его на переработку в соответствии с местными законами и правилами страны или региона эксплуатации.
- В неблагоприятных условиях из аккумулятора может вытечь жидкость. Избегайте контакта с этой жидкостью, так как это может привести к появлению раздражения или ожогам. При контакте промойте пораженный участок водой. Если жидкость попала в глаза, обратитесь за медицинской помощью.



## Устранение неполадок

Проблема	Возможная причина	Решение
Пылесос не работает.	Аккумулятор не вставлен или разряжен.	Полностью зарядите пылесос, а затем продолжите использование.
	Режим защиты от перегрева активирован из-за засорения.	Устраните все засоры и перезапустите пылесос, когда он остынет.
	Заблокировано отверстие для всасывания или воздушный канал.	Очистите отверстие для всасывания или воздушный канал от мусора.
Сила всасывания снизилась.	Заполнен отсек для пыли и/или засорен фильтр.	Опорожните отсек для пыли и очистите фильтр.
	Засорились турбо-щетка с валиком, шланг или другие части.	Удалите засоры из турбо-щетке с валиком, шланга или других частей.
Двигатель издает странный шум.	Основное отверстие для всасывания или шланг заблокированы.	Очистите основное отверстие для всасывания или шланг от мусора.
Первый индикатор горит красным после включения пылесоса.	Аккумулятор поврежден.	Обратитесь в отдел послепродажного обслуживания для устранения проблемы.
Первый индикатор мигает красным после зарядки пылесоса.	Используется несовместимое зарядное устройство.	Используйте для зарядки пылесоса только оригинальное зарядное устройство.
Индикатор аккумулятора не горит во время зарядки.	Зарядное устройство не подключено к пылесосу.	Убедитесь, что зарядное устройство правильно подключено.
	Аккумулятор полностью заряжен и перешел в спящий режим.	Пылесос не получается использовать обычным образом.
	Если проблема остается после устранения двух указанных выше неполадок, обратитесь за помощью в гарантийную службу.	
Аккумулятор медленно заряжается.	Слишком низкая или слишком высокая температура аккумулятора.	Подождите, пока температура аккумулятора нормализуется, а затем продолжите использование.
Резервуар для воды не выпускает воду или делает это слишком медленно.	Фильтр водораздатчика засорен.	Очистите или замените фильтр водораздатчика.
	Губка для влажной уборки загрязнилась.	Очистите или замените губку для влажной уборки.

## Значок ошибки

Если пылесос не работает надлежащим образом, на дисплее появится сообщение об ошибке. Способ устранения той или иной ошибки можно найти в приведенной ниже таблице устранения неполадок.

Значок ошибки	Сообщение об ошибке	Решение
	Воздушный канал засорен	Проверьте на наличие засоров в отсеке для пыли, шланге и/или на турбо-щетке с валиком.
	Щетка-валик застряла	Инструкции по очистке валика от волос и другого мусора представлены в подразделе "Чистка турбо-щетке с валиком" в разделе "Уход и техническое обслуживание".
	Предупреждение о высокой температуре	Подождите, пока температура аккумулятора нормализуется, а затем продолжите использование.
	Фильтр не установлен	Убедитесь, что фильтр и фильтр предварительной очистки правильно установлены.

Если на дисплее отображается один из кодов ошибок от E0 до E4, обратитесь в сервис послепродажного обслуживания для ремонта.

## Instrukcje dotyczące bezpieczeństwa

---

Produkt ten jest przeznaczony wyłącznie do użytku domowego. Przed przystąpieniem do eksploatacji należy dokładnie zapoznać się z niniejszą instrukcją i zachować ją na przyszłość.

To urządzenie może być używane przez dzieci w wieku powyżej 8 lat oraz osoby o ograniczonych zdolnościach ruchowych, postrzegania lub umysłowych lub osoby niemające doświadczenia lub znajomości sprzętu, jeżeli odbywa się to pod nadzorem lub zgodnie z instrukcją użytkowania sprzętu w bezpieczny sposób i ze zrozumieniem występujących zagrożeń. Dzieci nie powinny bawić się urządzeniem. Czyszczenie i konserwacja nie mogą być przeprowadzane przez dzieci bez nadzoru.

Nie należy używać produktu w temperaturze otoczenia poniżej 5°C lub powyżej 38°C, a także na podłogach, na których rozlane są płyny lub lepkie substancje.

W przypadku uszkodzenia ładowarki lub akumulatora należy wymienić je na specjalny przewód lub zespół zakupiony u producenta lub w serwisie posprzedażnym.

Aby zmniejszyć ryzyko pożaru, wybuchu lub obrażeń ciała, przed użyciem należy upewnić się, że akumulator litowo-jonowy i ładowarka nie są uszkodzone. Nie należy używać odkurzacza, jeśli akumulator lub ładowarka są uszkodzone.

Odkurzacz można używać tylko na suchych powierzchniach wewnątrz pomieszczeń. Nie należy montować, ładować ani używać tego produktu na zewnątrz, w łazienkach lub w pobliżu basenu.

Nie należy dotykać wtyczki ani jakiegokolwiek części odkurzacza mokrymi rękoma.

Wysokoobrotowa szczotka z wałkiem, miniszczotka elektryczna, akumulator, przedłużenie i odkurzacz przewodzą prąd, dlatego nie wolno zanurzać ich w wodzie lub innym płynie. Po zakończeniu czyszczenia wszystkich części należy upewnić się, że zostały dokładnie osuszone.

Aby zapobiec obrażeniom spowodowanym przez ruchome części, przed przystąpieniem do czyszczenia wysokoobrotowej szczotki z wałkiem i miniszczotki elektrycznej należy wyłączyć odkurzacz. Przed użyciem odkurzacza należy prawidłowo zamontować wysokoobrotową szczotkę z wałkiem, miniszczotkę elektryczną, pojemnik na kurz oraz filtr.

Nie należy używać odkurzacza do zbierania łatwopalnych cieczy, takich jak benzyna, wybielacze, amoniak lub środki czyszczące do kanalizacji, ani innych cieczy, np. wody.

Nie wolno używać odkurzacza do zbierania resztek płyt kartonowo-gipsowych, popiołu (np. popiołu z kominka) ani tłących się lub płonących materiałów, takich jak węgiel, niedopałki papierosów lub zapalki.

Nie należy używać odkurzacza do zbierania ostrych lub twardych przedmiotów, takich jak szkło, gwoździe, śruby lub monety.

Mogą one uszkodzić produkt.

Włosy, luźne elementy odzieży, palce i inne części ciała należy trzymać z dala od otworów i ruchomych elementów odkurzacza.

Nie należy kierować otworu ssącego, przedłużenia lub innych akcesoriów w stronę oczu lub uszu ani wkładać ich do ust.

Nie należy wkładać żadnych przedmiotów do otworów odkurzacza ani używać odkurzacza z zatkanym otworem. Chronić przed kurzem, włóknami, włosami i innymi przedmiotami, które mogą ograniczać przepływ powietrza.

Nie opierać odkurzacza o krzesło, stół lub inne niestabilne powierzchnie, ponieważ może to spowodować uszkodzenie produktu lub obrażenia ciała. Jeśli odkurzacz nie działa prawidłowo po przewróceniu lub uszkodzeniu, należy skontaktować się z autoryzowanym serwisem. Nigdy nie należy podejmować samodzielnych prób rozebrania odkurzacza.

Przed użyciem odkurzacza należy prawidłowo zamontować pokrywę pojemnika na kurz, filtr wstępny, zespół cyklonowy oraz filtr.

Należy upewnić się, że zasilacz jest odłączony od zasilania, gdy nie jest używany przez dłuższy czas, a także przed wykonaniem jakiegokolwiek konserwacji lub naprawy.

**McGrp.Ru**

Należy zachować szczególną ostrożność podczas używania odkurzacza do sprzątania schodów.

Ostrzeżenie o zagrożeniu pożarowym: nie stosować w filtrze odkurzacza żadnych substancji zapachowych. Tego typu produkty zawierają łatwopalne substancje chemiczne, które mogą spowodować zapalenie się odkurzacza.

NIE wystawiać akumulatora i urządzenia na działanie ognia, ponieważ może to spowodować wybuch.

NIE zanurzać akumulatora ani urządzenia w słodkiej ani słonej wodzie lub innych płynach oraz nie narażać ich na działanie takich płynów.

**OSTRZEŻENIE:** Nie używać akumulatora ani ładowarki podmiotów trzecich.

Używać wyłącznie z ładowarką BLJ24W308080P-V.

Używać wyłącznie z akumulatorem V2210-7S1P-BCA/V2210-7S1P-BWA.

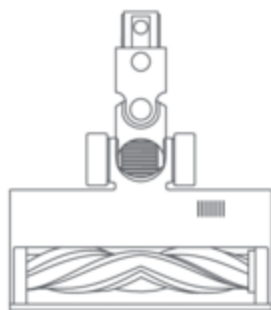
Produktu należy używać zgodnie z instrukcjami zawartymi w instrukcji obsługi. Użytkownicy ponoszą odpowiedzialność za wszelkie straty lub szkody wynikające z niewłaściwego użytkowania tego produktu.

## Przegląd produktu

### Wykaz akcesoriów



Przedłużenie



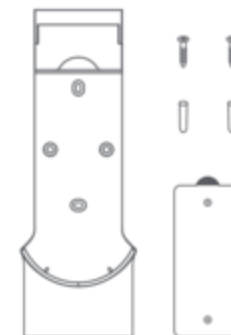
Wysokobrotowa szczotka z wałkiem



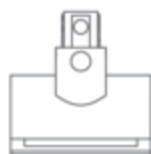
Dysza ze szczotką 2 w 1



Zbiornik na wodę



Uchwyt do ładowania i przechowywania 2 w 1  
(w zestawie 2 wkręty i 2 kołki oraz naklejany szablon montażowy)



Miniszczotka elektryczna



Dysza ze szczotką 2 w 1



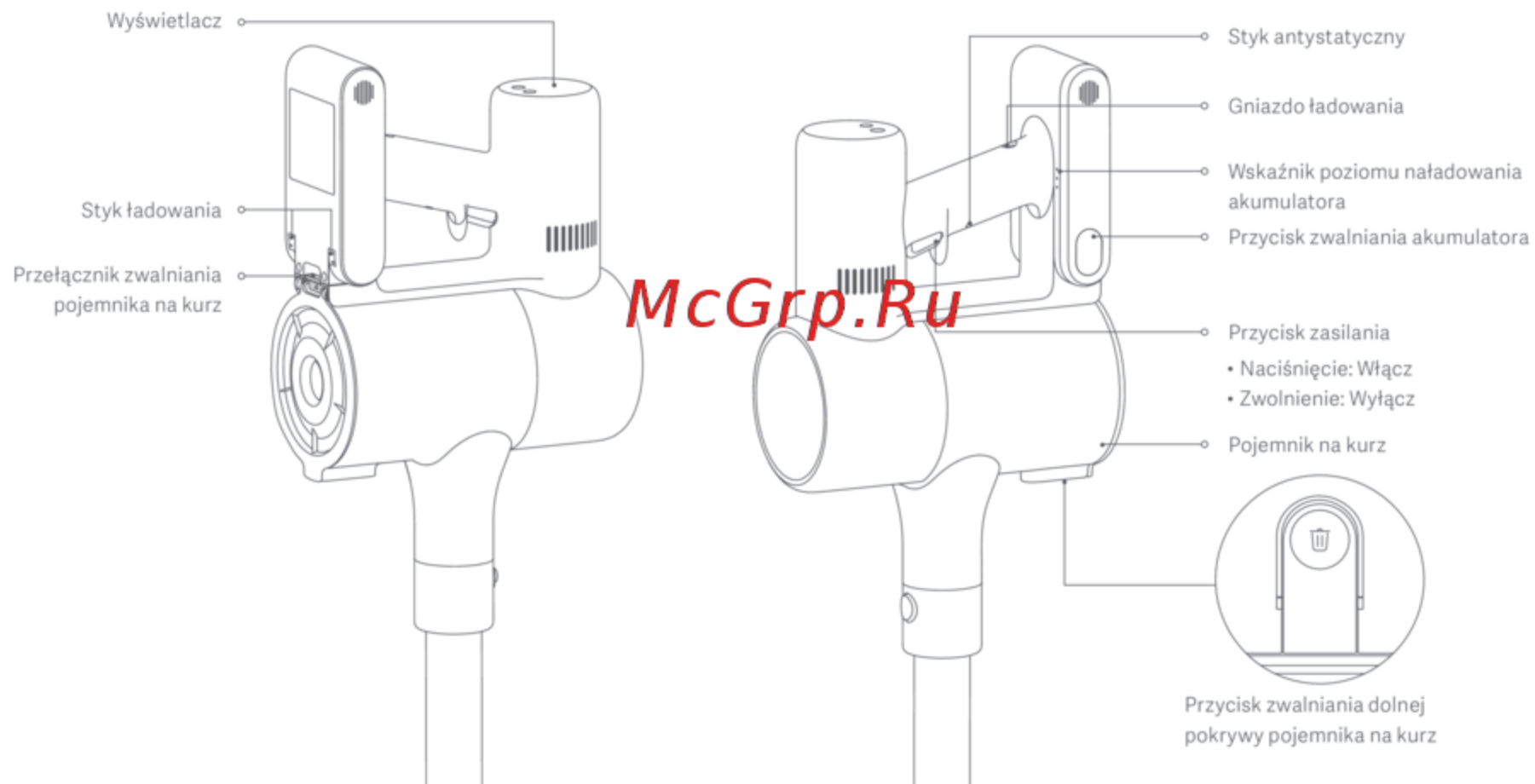
Zbiornik na wodę



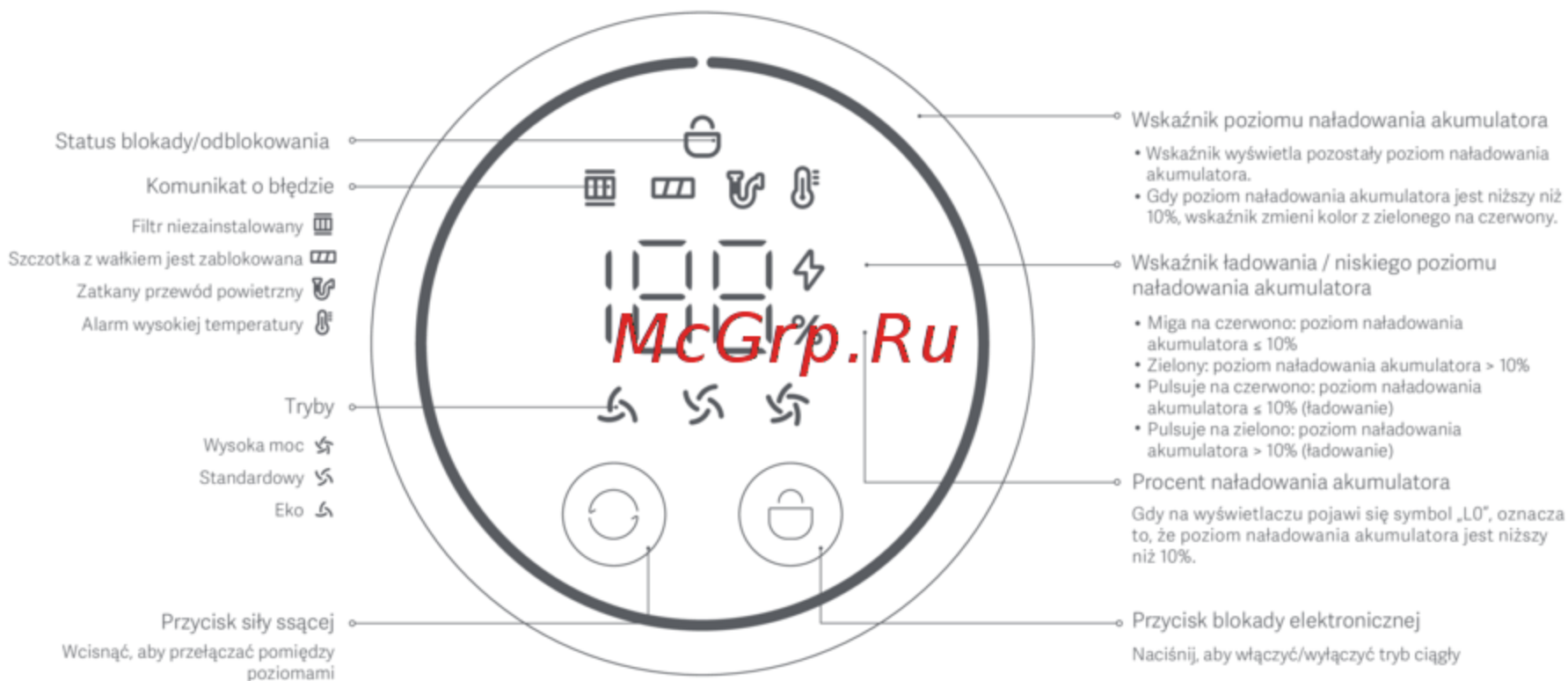
Wkład myjący  
(zainstalowany fabrycznie)

Uwaga: Ilustracje produktu, akcesoriów i interfejsu użytkownika w tej instrukcji obsługi są załączone jedynie jako materiał pomocniczy. Rzeczywisty produkt i jego funkcje mogą się różnić ze względu na wprowadzane ulepszenia.

Nazwa elementu




## Wyświetlacz

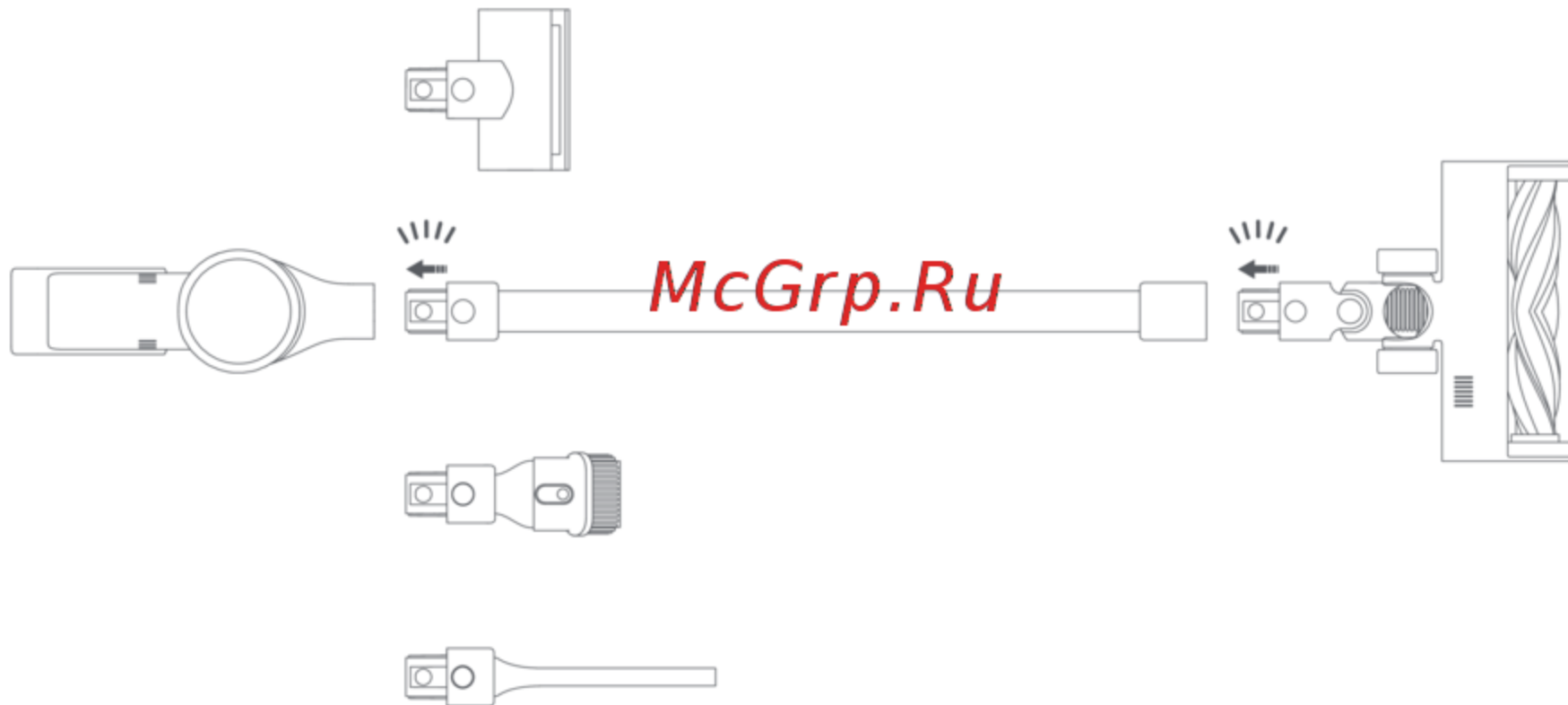


Uwaga: jeśli odkurzacz nie będzie działał prawidłowo, na wyświetlaczu pojawi się komunikat o błędzie. Aby znaleźć rozwiązanie, należy zapoznać się z rozdziałem „Rozwiązywanie problemów”.

## Montaż

### Montaż akcesoriów na odkurzaczu

 Włożyć tak, aby było słyszalne kliknięcie

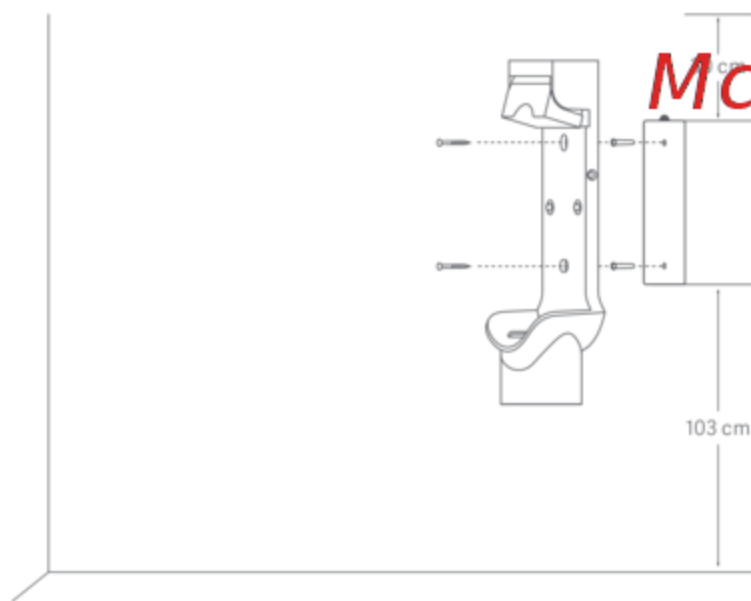


Uwaga: Miniszczotka elektryczna nie powinna być używana z przedłużeniem.



## Montaż uchwyty do ładowania i przechowywania 2 w 1

1. Uchwyt do ładowania i przechowywania 2 w 1 powinien być zamontowany w chłodnym, suchym miejscu, w pobliżu gniazdka elektrycznego. Przed montażem należy upewnić się, że bezpośrednio za miejscem, w którym zostanie zamontowany uchwyt, nie zostały poprowadzone żadne rury ani przewody.
2. Dolna krawędź naklejanego szablonu montażowego powinna być umieszczona poziomo i oddalona od podłoża co najmniej 1,03 m, a nad jego górną częśćią powinno być co najmniej 30 cm przestrzeni.
3. Użyć wiertarki z wiertłem 8 mm, aby wywiercić otwór w każdym miejscu oznaczonym na szablonie montażowym, a następnie włożyć kołek rozporowy do każdego otworu.
4. Dopasować otwory montażowe w uchwycie do ładowania i przechowywania 2 w 1 do otworów w ścianie, a następnie przymocować uchwyt do ściany za pomocą dołączonych wkrętów.



Zalecana wysokość: co najmniej 1,03 m od podłoża



## Ładowanie

### Wskaźnik poziomu naładowania akumulatora

Uwaga: ○ oznacza wyl., ● oznacza wł., a ☉ oznacza miganie.

- ☉ ○ ○ Niski poziom naładowania
- ☉ ○ Akumulator naładowany w połowie
- ● ☉ Akumulator niemal naładowany
- ● ● Pełne naładowanie

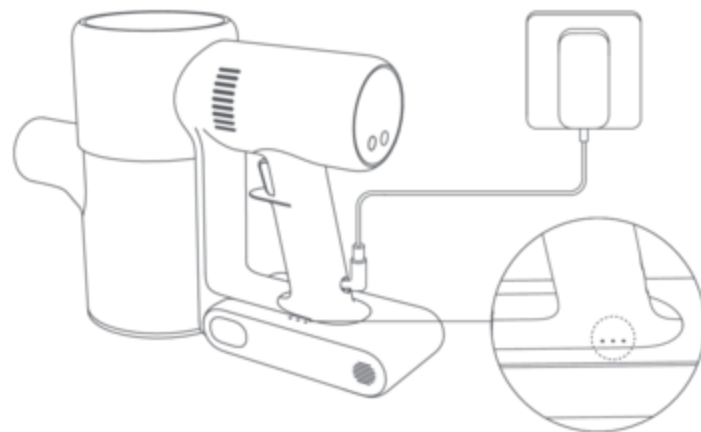
Po całkowitym naładowaniu odkurzacza wskaźnik wyłączy się po 5 minutach, a odkurzacz przejdzie w tryb oszczędzania energii.

### Wyświetlacz

Podczas ładowania wartość na wyświetlaczu przedstawia bieżący poziom naładowania baterii wyrażony w procentach. Gdy wartość ta osiągnie 100, będzie to oznaczać, że akumulator jest w pełni naładowany.

Podczas ładowania odkurzacza można nacisnąć przycisk zasilania, aby wzbudzić wyświetlacz i sprawdzić aktualną wartość procentową naładowania.

**McGrp.Ru**

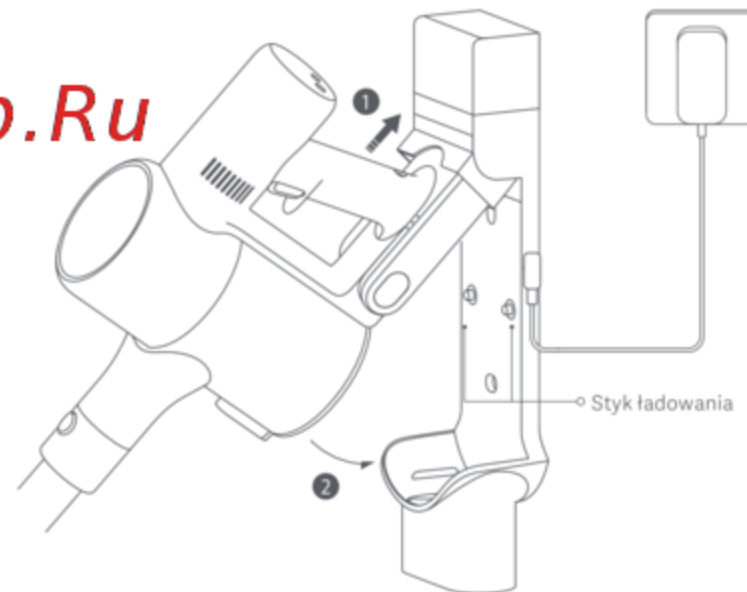


Wskaźnik poziomu naładowania akumulatora

Ładowanie odkurzacza za pomocą ładowarki

### Uwagi:


- Przed pierwszym użyciu odkurzacza należy go w pełni naładować. Zajmie to około 4 godzin.
- Odkurzacz nie może być używany podczas ładowania.
- Odkurzanie przez dłuższy czas przy najwyższym poziomie siły ssącej spowoduje nagrzanie się akumulatora, co może wydłużyć czas jego ładowania. Przed naładowaniem odkurzacza najlepiej schładzać go przez 30 minut.



Ładowanie odkurzacza w uchwycie do ładowania

## Użytkowanie

### Przełączanie poziomów siły ssącej

Nacisnąć przycisk , aby przechodzić między poziomami ssania odkurzacza: ekologicznym, automatycznym i turbo. Wskaźnik odpowiedniego poziomu ssania zostanie podświetlony na wyświetlaczu.

Uwaga: Po wyłączeniu odkurzacza i ponownym włączeniu poziom ssania będzie taki, jak ostatnio używany.

### Tryby pracy

Odkurzacz ma dwa tryby pracy, które można wybierać w zależności od potrzeb związanych ze sprzątaniem.

- Tryb impulsowy

Przytrzymać przycisk zasilania, aby uruchomić odkurzacz, a następnie zwolnić go, aby przerwać pracę.

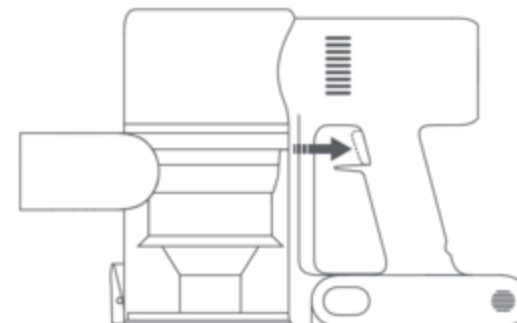


Tryb impulsowy

- Tryb ciągły

W trybie czuwania odkurzacza nacisnąć przycisk , aby włączyć tryb ciągły, a następnie nacisnąć przycisk zasilania, aby włączyć odkurzacz. Aby wyjść z trybu ciągłego, nacisnąć przycisk .

Włączenie trybu ciągłego pozwala na ciągłą pracę odkurzacza bez konieczności przytrzymywania przycisku zasilania, co zapewnia swobodę palców.



Tryb ciągły

Uwagi:

- Po naciśnięciu przycisku zasilania w trybie ciągłym odkurzacz przejdzie w tryb czuwania, a po ponownym naciśnięciu przycisku wznowi pracę.
- Gdy odkurzacz pozostanie w trybie czuwania przez ponad 10 sekund, wyświetlacz wyłączy się, a następnie odkurzacz wyjdzie z trybu ciągłego.

## Używanie różnych akcesoriów

Wysokoobrotowa szczotka z wałkiem: Do czyszczenia podłóg drewnianych, marmurowych, płytek i dywanów.

Uwaga: Wysokoobrotową szczotkę z wałkiem można przymocować bezpośrednio do odkurzacza.



Miniszczotka elektryczna: Do odkurzania zabrudzeń, sierści zwierząt domowych i innych uporczywych zanieczyszczeń z sof, pościeli i innych powierzchni tkaninowych.

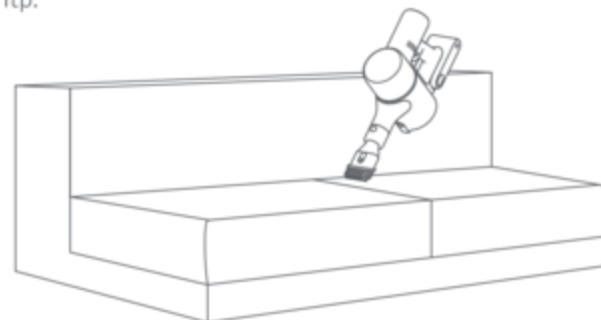


**McGrp.Ru**

Dysza szczelinowa: do odkurzania wąskich szczelin i obszarów wokół drzwi, okien, listew przypodłogowych, narożników, schodów, itp.



Dysza ze szczotką 2 w 1: do odkurzania zasłon, sof, wnętrz pojazdów, stolików kawowych itp.



Uwagi:

- Jeśli jakkolwiek obracająca się część ulegnie zablokowaniu, odkurzacz może się automatycznie wyłączyć. Usunąć wszelkie zaklinowane ciała obce, a następnie wznowić użytkowanie.
- Po wyzwoleniu zabezpieczenia akumulatora przed wysoką temperaturą, odkurzacz automatycznie przestanie działać. Należy odczekać, aż temperatura akumulatora powróci do normy, a następnie wznowić pracę.

## Korzystanie z funkcji mycia

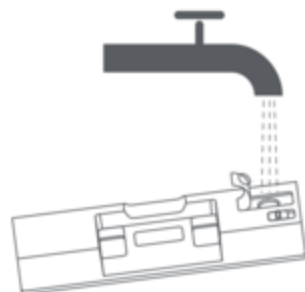
Uwagi:

- Nie stawać na zbiorniku na wodę, ponieważ może to spowodować jego trwałe uszkodzenie.
- Silnie zabrudzone podłogi należy odkurzyć przed myciem, aby uzyskać lepszy efekt.
- Nie używać funkcji mycia na dywanach.
- Nie używać żadnych środków czyszczących ani dezynfekujących.

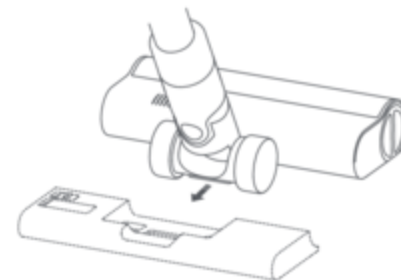
1. Zwilżyć wkład myjący i wycisnąć nadmiar wody, a następnie przymocować go solidnie do spodu zbiornika na wodę.



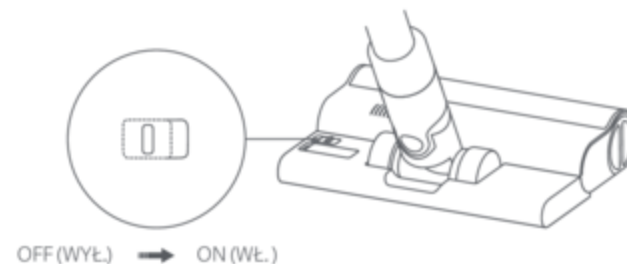
2. Otworzyć korek zbiornika na wodę, dodać odpowiednią ilość czystej wody i zamknąć korek.



3. Przymocować wysokoobrotową szczotkę z wałkiem do zbiornika na wodę, dopasowując magnesy na nich aż do ich zatrzaśnięcia.



4. Funkcja ta służy do odkurzania i mycia podłóg z twardego drewna i płytek ceramicznych.



Uwagi:

- Zawór kulowy w zbiorniku na wodę kontroluje ilość dozowanej wody. Kula zaworu jest częścią ruchomą i może wydawać odgłosy toczenia podczas włączania i wyłączania. Jest to normalne zjawisko.
- Gdy odkurzacz nie jest używany, należy ustawiać przełącznik w pozycji OFF (WYŁ.).

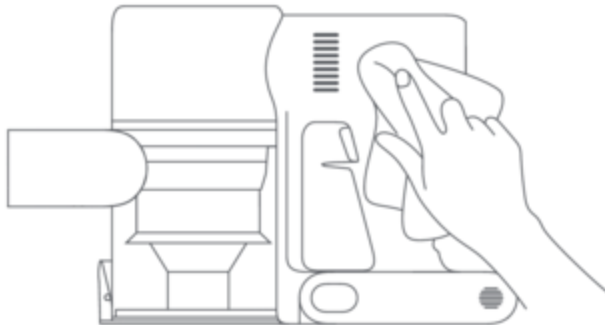
## Pielęgnacja i konserwacja

### Wskazówki dotyczące konserwacji

- Zawsze używaj oryginalnych części, aby uniknąć unieważnienia gwarancji.
- Jeśli filtr, przedłużenie lub wysokoobrotowa szczotka z wałkiem zatkają się, odkurzacz wkrótce przestanie działać. Przed wznowieniem jego pracy należy wyczyścić zatkany element.
- Jeśli odkurzacz nie będzie używany przez dłuższy czas, należy naładować go do pełna i odłączyć od zasilania, a następnie przechowywać w chłodnym miejscu o niskiej wilgotności, z dala od bezpośredniego światła słonecznego. Aby uniknąć nadmiernego rozładowania akumulatora, należy ładować odkurzacz co najmniej raz na trzy miesiące.

### Czyszczenie odkurzacza

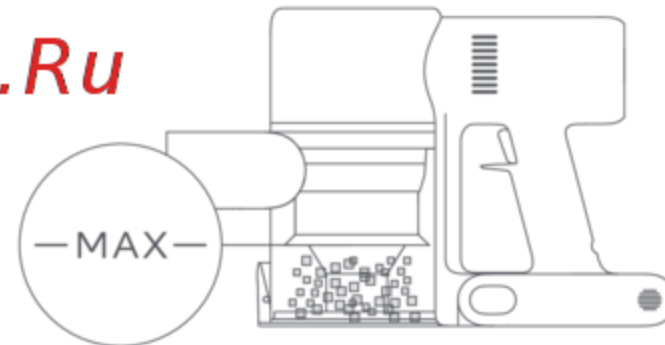
Przetrzeć odkurzacz czystą, suchą ściereczką.



### Czyszczenie pojemnika na kurz, filtra wstępnego i zespołu cyklonowego

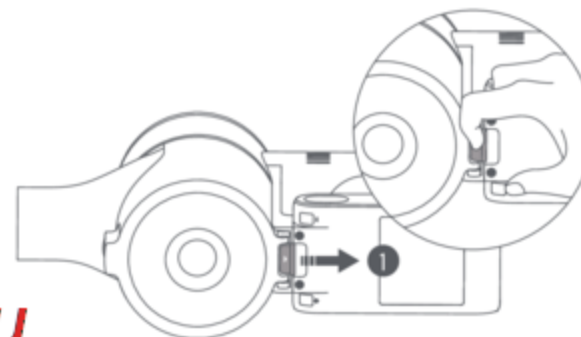
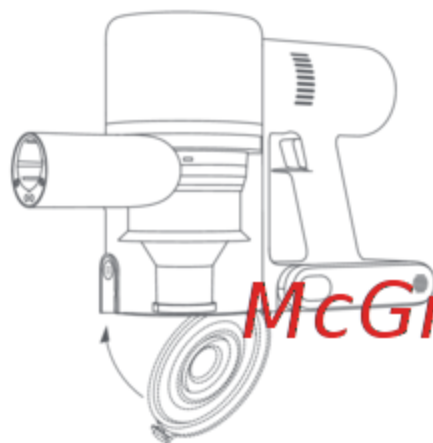
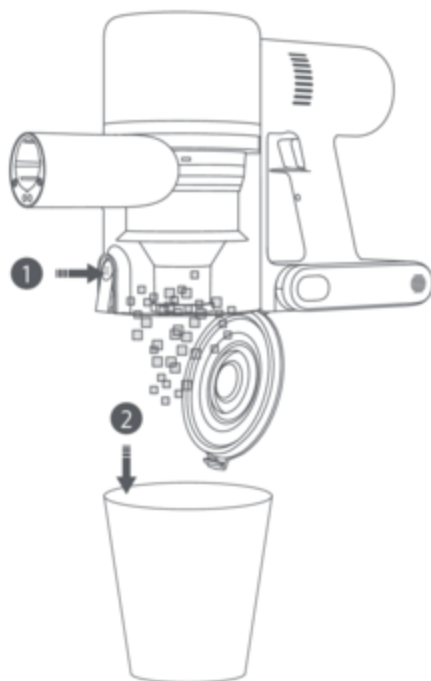
1. Wydajność odkurzacza spadnie, gdy pojemnik na kurz zostanie wypełniony do znacznika „MAX”. Aby przywrócić jego wydajność, należy opróżnić pojemnik na kurz w odpowiednim czasie. Przed opróżnieniem pojemnika należy upewnić się, że odkurzacz jest odłączony od zasilania. Nie wciskać przycisku zasilania odkurzacza.

*McGrp.Ru*

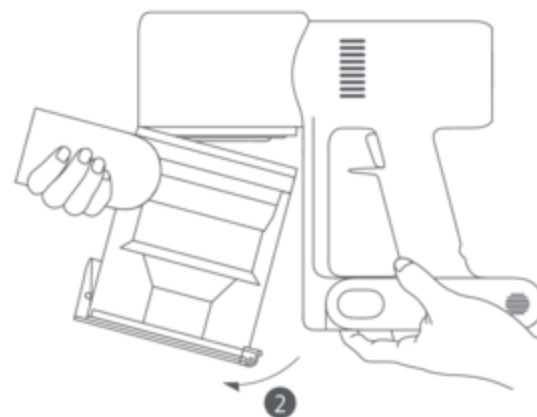


2. Nacisnąć przełącznik zwalniania dolnej pokrywy pojemnika na kurz, a następnie opróżnić zawartość zbiornika.

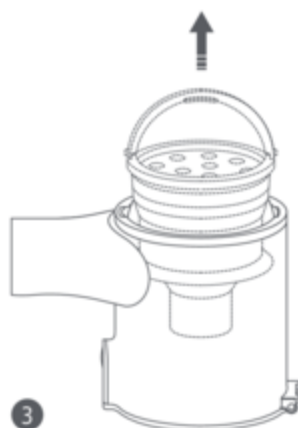
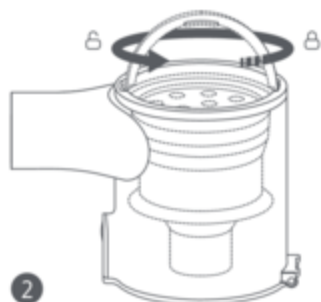
3. Pchnij przełącznik zwalniania pojemnika na kurz w kierunku pokazanym na rysunku ❶, a następnie wyjmij go z odkurzacza, jak pokazano na rysunku ❷.



Przełącznik zwalniania pojemnika na kurz



4. Wyjąć filtr wstępny, a następnie unieść uchwyt zespołu cyklonowego, obrócić go do oporu w kierunku przeciwnym do ruchu wskazówek zegara i pociągnąć, aby go wyjąć.



5. Splukiwać filtr wstępny, zespół cyklonowy i pojemnik na kurz wodą do momentu, aż będą czyste, a następnie odłożyć wszystkie elementy na bok i pozostawić do dokładnego wyschnięcia na co najmniej 24 godziny.



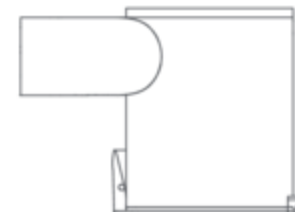
*McGrp.Ru*



Filtr wstępny



Zespół cyklonowy



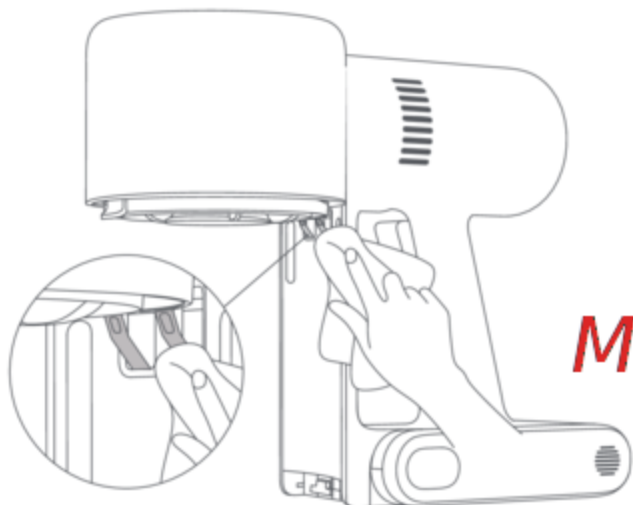
Pojemnik na kurz

Uwagi:

- Pojemnik na kurz należy płukać co najmniej raz w miesiącu.
- Filtr wstępny i zespół cyklonowy należy czyścić raz na 3–4 miesiące.



6. Jeśli punkty stykowe odkurzacza są zabrudzone, należy przetrzeć je miękką, suchą ściereczką.

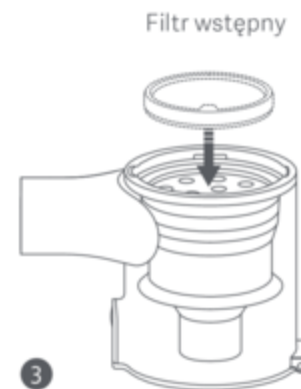
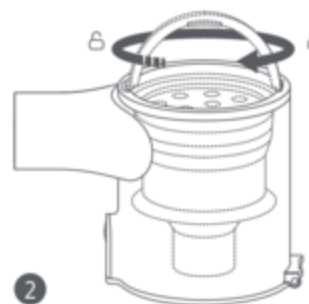


**Uwagi:**

- Do czyszczenia pojemnika na kurz nie należy używać detergentów, środków polerujących ani odświeżaczy powietrza.
- Nie czyścić pojemnika na kurz, filtra wstępnego ani zespołu cyklonowego w zmywarce lub pralce i nie próbować suszyć żadnego z tych elementów w suszarce bębnowej, piekarniku, mikrofalówce lub w pobliżu otwartego ognia.

## Montaż pojemnika na kurz, filtra wstępnego i zespołu cyklonowego

1. Włożyć zespół cyklonowy pionowo do pojemnika na kurz i upewnić się, że uchwyt zespołu cyklonowego znajduje się w jednej linii z otworem z lewej strony pojemnika. Przekręcić uchwyt zgodnie z ruchem wskazówek zegara do momentu jego zablokowania, a następnie opuścić.
2. Umieścić filtr wstępny w zespole cyklonowym przednią stroną skierowaną do góry.



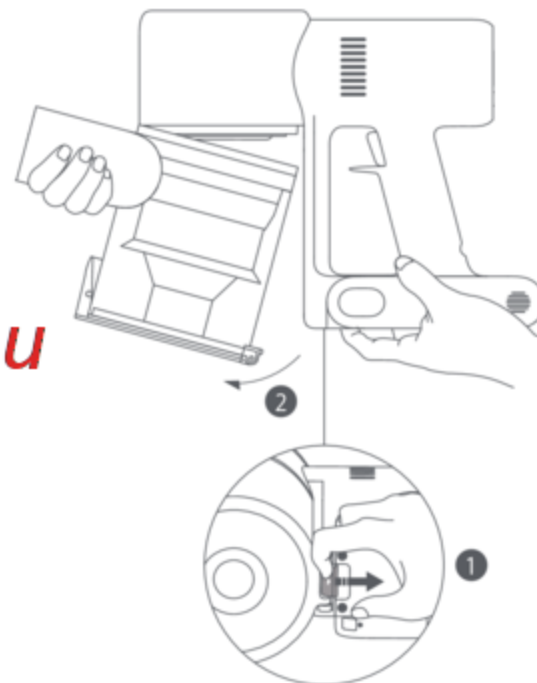
3. Lekko przechylić pojemnik na kurz tak, aby jego szczelina zrównała się z zatrzaskiem na odkurzaczu. Następnie delikatnie wcisnąć pojemnik na kurz do momentu jego zatrzaśnięcia w prawidłowym położeniu.



Włożyć tak, aby było słyszalne kliknięcie

## Czyszczenie filtra

1. Zdjąć pojemnik na kurz, jak pokazano na rysunku.

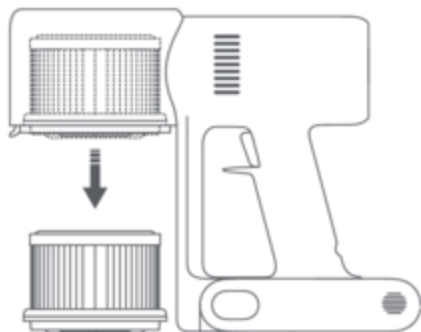


Przełącznik zwalniania pojemnika na kurz

### Uwagi:

- Zaleca się czyszczenie filtra co 4–6 miesięcy.
- Zaleca się wymianę filtra co 6–12 miesięcy, zgodnie z rzeczywistymi warunkami użytkowania filtra.

2. Wyjąć filtr z odkurzacza, pociągając go w dół, jak pokazano na rysunku.

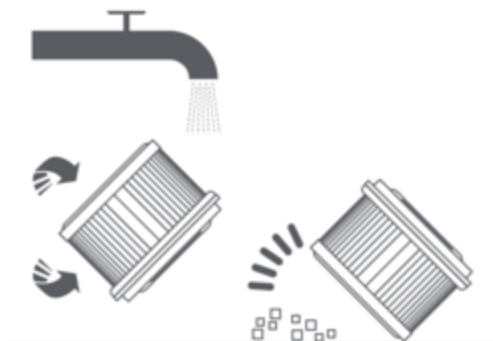


4. Pozostawić filtr do całkowitego wyschnięcia na co najmniej 24 godziny.



3. Wyczyścić filtr czystą wodą. Obracać filtr 360°, aby dokładnie usunąć z niego cały kurz. Aby usunąć nadmiar zanieczyszczeń, należy kilkakrotnie lekko postukać w filtr.

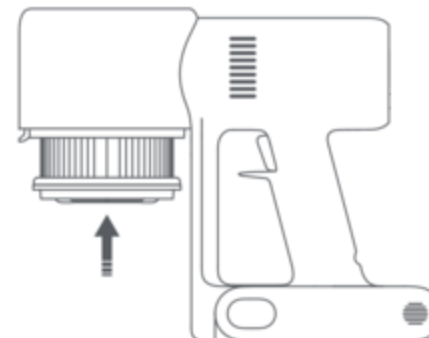
**McGrp.Ru** Montaż filtra



Uwagi:

- Do czyszczenia filtra należy używać wyłącznie czystej wody. Nie stosować detergentów.
- Nie należy czyścić filtra szczotką ani palcem.

1. Włożyć filtr do odkurzacza i delikatnie wcisnąć, jak pokazano na rysunku.



2. Ponownie zamontować pojemnik na kurz.



Włożyć tak, aby było słyszalne kliknięcie

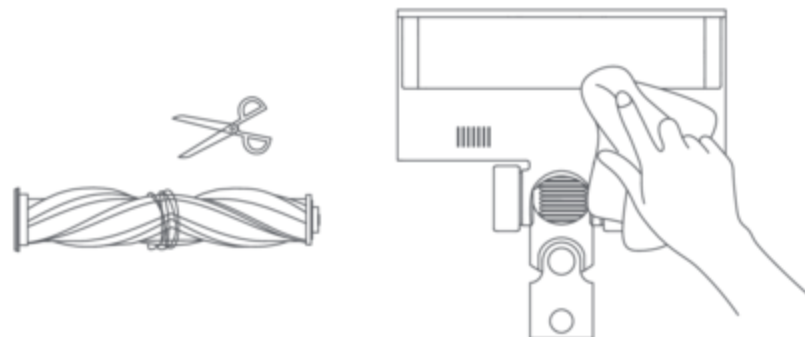
## Czyszczenie wysokoobrotowej szczotki z wałkiem

1. Obrócić blokadę w kierunku przeciwnym do ruchu wskazówek zegara aż do jej zatrzymania, a następnie wyjąć wałek czyszczący z wysokoobrotowej szczotki z wałkiem.

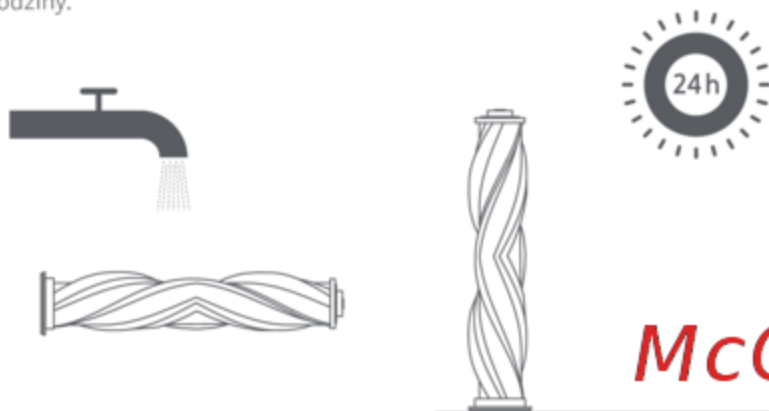




**McGrp.Ru**

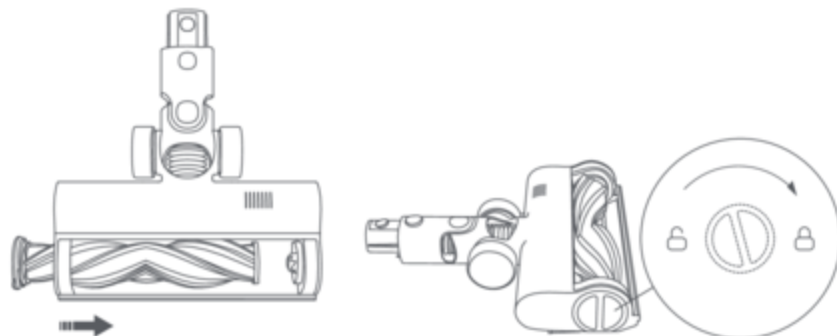
2. Użyć nożyczek, aby odciąć i wyjąć włosy lub inne zanieczyszczenia zaplątane wokół wałka czyszczącego. Zetrzeć nadmiar kurzu z otworu i przezroczystej plastikowej pokrywy za pomocą suchej szmatki lub ręcznika papierowego.



3. Po dłuższym użytkowaniu wałek czyszczący może być zabrudzony. Należy go umyć. Po umyciu pozostawić wałek czyszczący do całkowitego wyschnięcia (w pozycji pionowej i w dobrze wentylowanym miejscu) na co najmniej 24 godziny.

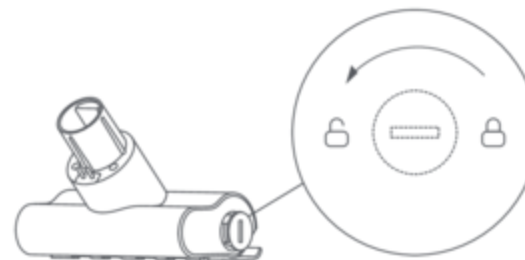


4. Upewnij się, że wałek ze szczotką jest całkowicie suchy, a następnie ułóż blokadę na górnej powierzchni tego wałka równo z symbolem , aby ponownie go włożyć. Obróć blokadę w prawo w stronę symbolu , aby przymocować wałek ze szczotką.

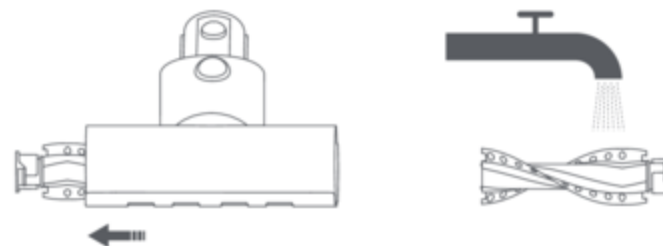


### Czyszczenie miniszczotki elektrycznej

1. Użyj odpowiedniego narzędzia, aby obrócić blokadę w lewo, aż do momentu usłyszania kliknięcia.



2. Po odblokowaniu wałka czyszczącego należy wyjąć go z miniszczotki elektrycznej, a następnie opłukać i wyczyścić.

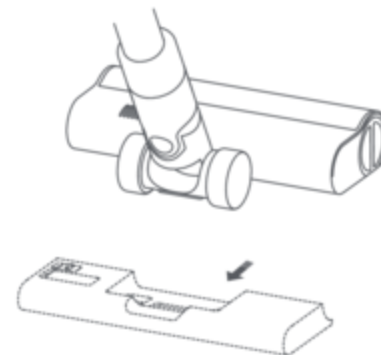


3. Po umyciu pozostawić wałek czyszczący do całkowitego wyschnięcia (w pozycji pionowej i w dobrze wentylowanym miejscu) na co najmniej 24 godziny.



### Czyszczenie zbiornika na wodę i wkładu myjącego

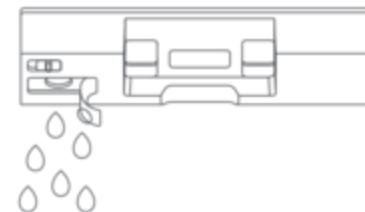
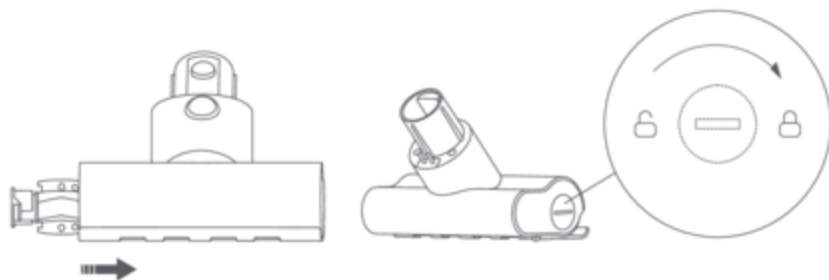
1. Zsunąć zbiornik na wodę, aby odłączyć go od wysokoobrotowej szczotki z wałkiem.



**McGrp.Ru**

4. Po wyschnięciu wałka czyszczącego należy go ponownie zamontować, wykonując czynności prowadzące do demontażu w odwrotnej kolejności.

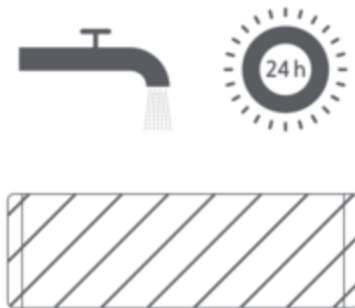
2. Opróżnić zbiornik na wodę.



3. Zdemontować wkład myjący ze zbiornika na wodę.



4. Wyczyścić i osuszyć wkład myjący.



Uwagi:

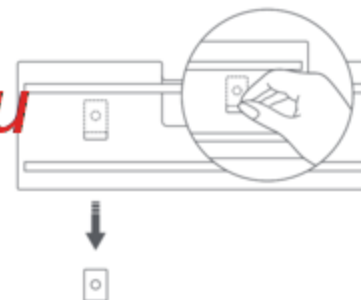
- Na czas ładowania odkurzacza lub gdy nie jest on używany należy zdemontować zbiornik na wodę i usunąć z niego pozostałość wody, aby zapobiec powstawaniu pleśni lub nieprzyjemnego zapachu.
- Po zakończeniu mycia za pomocą wkładu myjącego należy zdemontować go i wyczyścić, aby uniknąć zatkania otworu wylotowego brudną wodą.
- Zużyty lub uszkodzony wkład myjący, który nie przykleja się już do zbiornika na wodę, należy wymienić, aby zapewnić optymalną skuteczność czyszczenia.

## Filtr dozownika wody

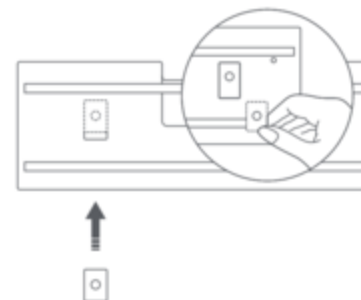
Filtr dozownika wody należy wymienić, jeżeli zbiornik dozuje wodę zbyt wolno lub zatyka się.

Aby zapewnić optymalną skuteczność mycia, zaleca się wymianę filtrów dozownika wody co 3–6 miesięcy, w zależności od jakości wody i częstotliwości użytkowania.

1. Użyć palców, aby wysunąć stare filtry dozownika wody z lewej i prawej strony każdego z otworów.



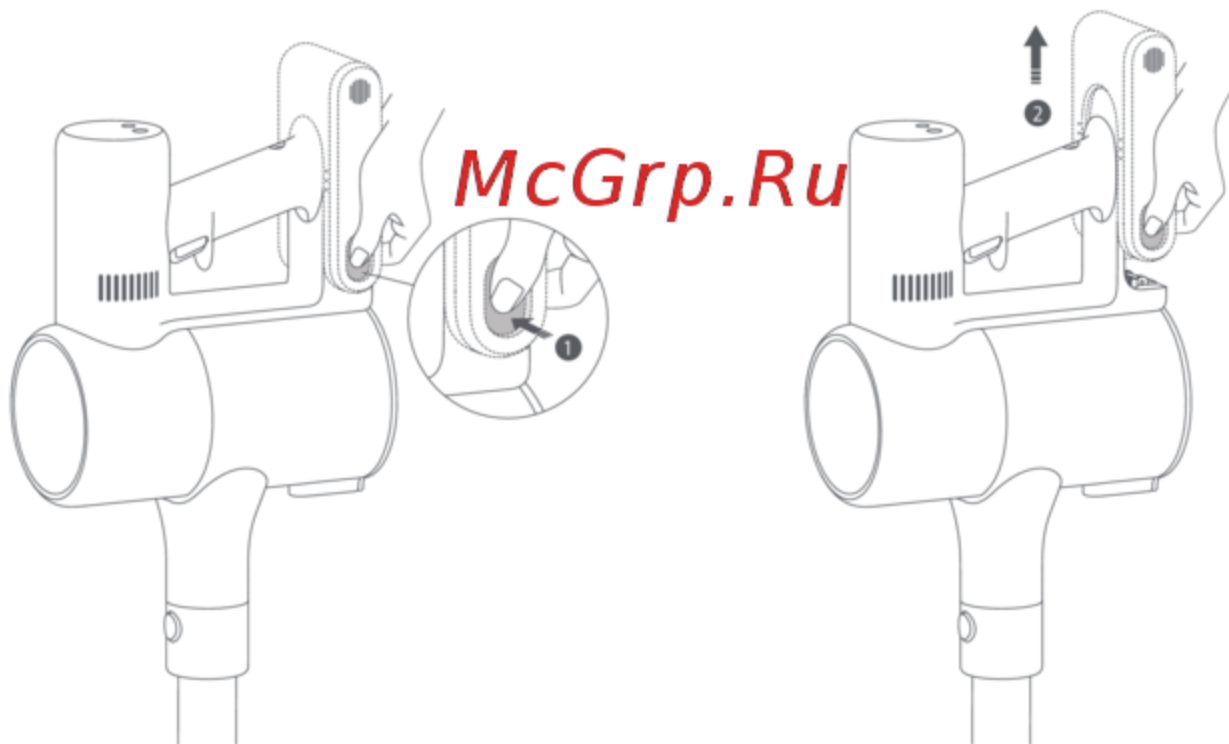
2. Włożyć nowe filtry dozownika wody i sprawdzić, czy są prawidłowo zainstalowane.



## Akumulator

W odkurzaczu znajduje się wyjmowany akumulator litowo-jonowy. Liczba cykli jego ładowania jest ograniczona. Po długim okresie użytkowania akumulator może przestać się ładować. Jeśli tak się stanie, oznacza to, że akumulator uległ zużyciu i należy go wymienić.

1. Nacisnąć przycisk zwalniania akumulatora i przesunąć akumulator w prawo, jak pokazano na rysunku, aby go wyjąć.
2. Zamontować nowy akumulator.





## Dane techniczne

Odkurzacz bezprzewodowy			
Model	B207	Napięcie znamionowe	25,2 V $\text{---}$
Napięcie ładowania	30,8 V $\text{---}$	Pojemność akumulatora	3000 mAh (Pojemność znamionowa) 2800 mAh (Pojemność nominalna)
Moc znamionowa	425 W	Pojemność pojemnika na kurz	0,6 l
Czas ładowania	Ok. 4 godzin	Masa netto	1,7 kg
Wymiary elementu	1286 × 214 × 256 mm	Masa netto (z akcesoriami)	4,2 kg
Wysokoobrotowa szczotka z wałkiem		Miniszczotka elektryczna	
Model	VMH1	Model	VTV104B
Moc znamionowa	40 W	Moc znamionowa	20 W
Napięcie znamionowe	25,2 V $\text{---}$	Napięcie znamionowe	25,2 V $\text{---}$
Ładowarka			
Producent	Zhongshan Baolijin Electronic Co., Ltd.	Średnia sprawność podczas pracy	87,5%
Model	BLJ24W308080P-V	Sprawność przy niskim obciążeniu (10%)	77,9%
Wejście	100-240 V $\sim$ 50/60 Hz 0,8 A	Pobór energii bez obciążenia	0,10 W
Wyjście	30,8 V $\text{---}$ 0,8 A		
Akumulator litowo-jonowy			
Model	V2210-7S1P-BCA/V2210-7S1P-BWA	Pojemność znamionowa	3000 mAh
Napięcie nominalne	25,2 V $\text{---}$	Pojemność nominalna	2800 mAh
Napięcie	70,56 Wh		

## Informacje dotyczące zgodności z przepisami

---

### Deklaracja zgodności UE



Niniejszym firma Dreame (Tianjin) Information Technology Co., Ltd. deklaruje zgodność produktu z wymogami odpowiednich dyrektyw oraz norm europejskich wraz ze zmianami. Pełny tekst deklaracji zgodności UE jest dostępny na następującej stronie internetowej:

<http://www.mi.com/global/service/support/declaration.html>

Szczegółową elektroniczną instrukcję obsługi można znaleźć na stronie [www.mi.com/global/service/userguide](http://www.mi.com/global/service/userguide)

### Informacje dotyczące europejskiej dyrektywy WEEE



Wszystkie produkty oznaczone tym symbolem są uznane za odpady sprzętu elektrycznego i elektronicznego (WEEE zgodnie z Dyrektywą 2012/19/UE) i nie mogą być wyrzucane po zakończeniu okresu użytkowania wraz z innymi odpadami. W celu ochrony zdrowia ludzi oraz środowiska naturalnego należy przekazać zużyty sprzęt do wyznaczonego punktu utylizacji wyznaczonego przez instytucje rządowe lub lokalne. Prawidłowe usunięcie zużytego produktu pomaga w zapobieganiu potencjalnym negatywnym skutkom oddziaływania na środowisko naturalne i zdrowie ludzi. Więcej informacji można uzyskać w urzędzie lokalnym lub od instalatora.

*McGrp.Ru*

### Środki ostrożności dotyczące bezpieczeństwa akumulatora





- Akumulator litowo-jonowy zawiera substancje niebezpieczne dla środowiska. Przed utylizacją odkurzacza należy najpierw wyjąć akumulator, a następnie zutylizować go lub poddać recyklingowi zgodnie z lokalnymi przepisami i regulacjami prawnymi kraju lub regionu, w którym jest używany.
- W nieodpowiednich warunkach ciecz może wydostać się z akumulatora. Unikać kontaktu z cieczą, ponieważ może ona spowodować podrażnienia lub oparzenia. W razie kontaktu należy przepłukać odpowiednie miejsca wodą. W przypadku kontaktu cieczy z oczami należy dodatkowo skonsultować się z lekarzem.

## Rozwiązywanie problemów

Problem	Prawdopodobna przyczyna	Rozwiązanie
Odkurzacz nie działa.	Akumulator jest rozładowany lub nie jest dostatecznie naładowany.	Całkowicie naładuj odkurzacz, a następnie wznów użytkowanie.
	Urządzenie weszło w tryb ochrony przed przegrzaniem wywołany przez zator.	Usuń wszelkie blokady, a po ochłodzeniu odkurzacza uruchom go ponownie.
	Otwór ssący lub przewód powietrzny jest zatkany.	Usunąć wszelkie zatory w otworze ssącym lub przewodzie powietrznym.
Siła ssania zmniejsza się.	Pojemnik na kurz jest pełny i/lub filtr jest zapchany.	Opróżnić pojemnik na kurz i wyczyść filtr.
	Wysokoobrotowa szczotka z wałkiem, przedłużenie lub inne części są zablokowane.	Usunąć wszelkie blokady z wysokoobrotowej szczotki z wałkiem, przedłużenia lub innych części.
Silnik wydaje dziwne odgłosy.	Nastąpiło zatkanie głównego otworu ssącego lub przedłużenia.	Usunąć wszelkie zatory z otworu ssącego lub przedłużenia.
Po włączeniu odkurzacza pierwszy wskaźnik jest czerwony.	Akumulator jest uszkodzony.	Prosimy o kontakt z działem obsługi posprzedażnej w celu zaplanowania naprawy.
Podczas ładowania odkurzacza pierwszy wskaźnik miga na czerwono.	Ładowarka jest niekompatybilna.	Do ładowania odkurzacza należy używać wyłącznie oryginalnej ładowarki.
Wskaźnik poziomu naładowania nie świeci się podczas ładowania.	Ładowarka nie jest podłączona do odkurzacza.	Należy sprawdzić, czy ładowarka jest podłączona prawidłowo.
	Akumulator jest w pełni naładowany i przełączył się w tryb uśpienia.	Odkurzacza można normalnie używać.
	Jeśli problem nadal się utrzymuje po wykluczeniu dwóch powyższych możliwych przyczyn, prosimy o kontakt z działem obsługi posprzedażnej w celu uzyskania pomocy.	
Akumulator ładuje się powoli.	Temperatura akumulatora jest zbyt niska lub zbyt wysoka.	Poczekaj, aż temperatura akumulatora powróci do normy, a następnie wznów użytkowanie.
Zbiornik na wodę nie dozuje wody lub dozuje wodę powoli.	Filtr dozownika wody jest zatkany.	Wyczyścić lub wymienić filtr dozownika.
	Wkład myjący jest brudny.	Wyczyścić lub wymienić wkład myjący.

## Ikona błędu

Jeśli odkurzacz nie działa prawidłowo, na wyświetlaczu pojawi się komunikat o błędzie. Zapoznaj się z poniższą tabelą, aby znaleźć rozwiązanie na podstawie komunikatu o błędzie.

Ikona błędu	Komunikat o błędzie	Rozwiązanie
	Zatkany przewód powietrzny	Sprawdź, czy w pojemniku na kurz, przedłużeniu i/lub wysokoobrotowej szczotce z wałkiem utworzyły się blokady.
	Szczotka z wałkiem jest zablokowana	Zapoznaj się z punktem „Czyszczenie wysokoobrotowej szczotki z wałkiem” w rozdziale „Dbanie o urządzenie i konserwacja”, aby uzyskać wskazówki dotyczące usuwania włosów i innych zanieczyszczeń ze szczotki z wałkiem.
	Alarm wysokiej temperatury	Przed wznowieniem użytkowania odczekać, aż temperatura akumulatora wróci do normy.
	Filtr niezainstalowany	Upewnić się, że filtr i filtr wstępny są prawidłowo zainstalowane.

Jeśli na wyświetlaczu pojawi się jeden z kodów błędu od E0 do E4, skontaktuj się z serwisem posprzedażowym w sprawie naprawy.

## Güvenlik Talimatları

---

Bu ürün sadece ev kullanımı içindir. Ürünü kullanmadan önce bu kılavuzu dikkatlice okuyun ve ileride başvurmak üzere saklayın.

Bu cihaz, gözetim altında olmaları veya kendilerine cihazın güvenli bir şekilde kullanılmasına ve ilgili tehlikelerin anlaşılmasına yönelik talimatlar verilmiş olması durumunda 8 yaş ve üzeri çocuklar ve fiziksel, duyuşsal veya zihinsel yetileri azalmış ya da deneyim ve bilgi eksikliği olan kişiler tarafından kullanılabilir. Çocuklar cihaz ile oynamamalıdır. Temizlik ve kullanıcı tarafından gerçekleştirilecek bakım, gözetim altında olmayan çocuklar tarafından yapılmamalıdır.

Ürünü 5 °C'den düşük veya 38 °C'den yüksek ortam sıcaklıklarında ya da sıvı veya yapışkan maddeler bulunan zeminlerde kullanmayın.

Eğer şarj cihazı ya da pil takımı hasar görürse, üreticiden veya servis acentesinden temin edilebilen özel bir kablo veya düzenele değiştirilmelidir.

Yangın, patlama veya kişisel yaralanma riskini azaltmak için kullanmadan önce lityum iyon pilin ve şarj cihazının zarar görmemiş olduğundan emin olun. Pil veya şarj cihazı hasar görmüşse elektrikli süpürgeyi kullanmayın.

Elektrikli süpürgeyi yalnızca kuru iç mekân yüzeylerinde kullanın. Bu ürünü banyoların içinde veya havuz kenarı gibi dış mekanlarda kurmayın, şarj etmeyin veya kullanmayın.

Elektrikli süpürgeyi fişine veya herhangi bir parçasına ıslak ellerle dokunmayın.

Yüksek torklu döner başlık, mini elektrikli fırça, pil, uzatma çubuğu ve elektrikli süpürge elektriksiz olarak iletkendir ve suya veya başka bir sıvının içine batırılmamalıdır. Bu malzemeleri temizledikten sonra tüm parçaların iyice kurduğundan emin olun.

Hareketli parçalardan kaynaklanan yaralanmaları önlemek için, yüksek torklu döner başlığı ve mini elektrikli fırçayı temizlemeden önce elektrikli süpürgeyi kapatın. Yüksek torklu döner başlık, toz haznesi ve filtre gibi parçaların tamamı elektrikli süpürge kullanılmadan önce düzgün şekilde takılmalıdır.

Elektrikli süpürgeyi benzin, çamaşır suyu, amonyak veya lavabo açıcılar gibi yanıcı veya parlayıcı sıvıları ya da su gibi diğer sıvıları süpürmek için kullanmayın.

Elektrikli süpürgeyi alçıpan parçacıklarını, şömine külü gibi külleri veya kömür, sigara izmariti ya da kibrit gibi yanan malzemeleri süpürmek için kullanmayın.

Elektrikli süpürgeyi cam, çivi, vida veya bozuk para gibi ürüne zarar verebilecek keskin veya sert nesnelere süpürmek için

kullanmayın.

Saçları, bol giysileri, parmakları ve vücudun diğer kısımlarını elektrikli süpürgeyi açık kısımlarından ve hareketli parçalarından uzak tutun. Emme açıklığını, uzatma çubuğunu veya diğer aksesuarları gözlerinize veya kulaklarınıza doğrultmayın veya ağızınıza sokmayın.

Elektrikli süpürgeyi açık kısımlarına herhangi bir nesne sokmayın veya açık kısımları tıkanmışken elektrikli süpürgeyi kullanmayın. Hava akışını azaltabilecek toz, tüy, saç veya diğer maddelerden uzak tutun.

Elektrikli süpürgeyi bir sandalyeye, masaya veya diğer dengesiz yüzeylere yaslamayın çünkü böyle yapmak ürüne zarar verebilir veya kişisel yaralanmalara neden olabilir. Elektrikli süpürge, devrildiği veya hasar gördüğü için arızalanırsa, lütfen yetkili servis departmanı ile iletişime geçin. Elektrikli süpürgeyi asla kendi başınıza sökmeye çalışmayın.

Elektrikli süpürge kullanılmadan önce toz haznesi kapağı, ön filtre, siklon düzeneği ve filtre gibi parçaların tamamı düzgün şekilde takılmalıdır.

Uzun süre kullanılmadığında ve ayrıca herhangi bir bakım veya onarım gerektirmeden önce, şarj cihazının fişinin takılı olmadığından emin olun.

Merdivenleri temizlemek için elektrikli süpürgeyi kullanırken lütfen çok dikkatli olun.

Yangın Tehlikesi Uyarısı: Elektrikli süpürgeyi filtresine herhangi bir tür koku uygulamayın. Bu tür ürünlerin, elektrikli süpürgeyi alev almasına neden olabilecek yanıcı kimyasallar içerdiği bilinmektedir.

Patlamaya neden olabileceği için pili ve cihazı ateşe maruz BIRAKMAYIN.

Pili ve cihazı herhangi bir suya, tuzlu suya veya diğer sıvılara maruz BIRAKMAYIN veya sıvıların içine BATIRMAYIN.

UYARI: Üçüncü taraf pil takımı ve şarj cihazı kullanmayın.

Yalnızca BLJ24W308080P-V şarj cihazı kullanın.

Yalnızca V2210-7S1P-BCA/V2210-7S1P-BWA pil takımı kullanın.

Elektrikli süpürgeyi kullanırken lütfen bu kullanım kılavuzundaki talimatları harfiyen takip edin. Elektrikli süpürgeyi yanlış kullanımından kaynaklanabilecek herhangi bir kayıp veya hasardan kullanıcılar sorumludur.

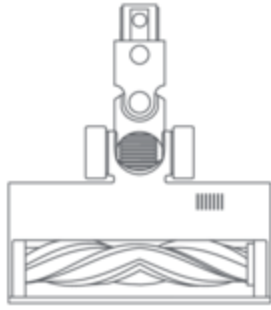
**McGrp.Ru**

## Ürüne Genel Bakış

### Aksesuar Listesi



Uzatma Çubuğu



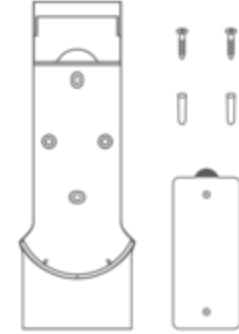
Yüksek Torklu Döner Başlık



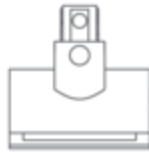
Aralık Temizleme Başlığı



Şarj Cihazı



2'si 1 Arada Şarj & Saklama Aparatı  
(2 x vida, 2 x dübel ve aparat şablonu  
etiketi dahil)



Mini Elektrikli Fırça



2'si 1 Arada Fırça Başlığı



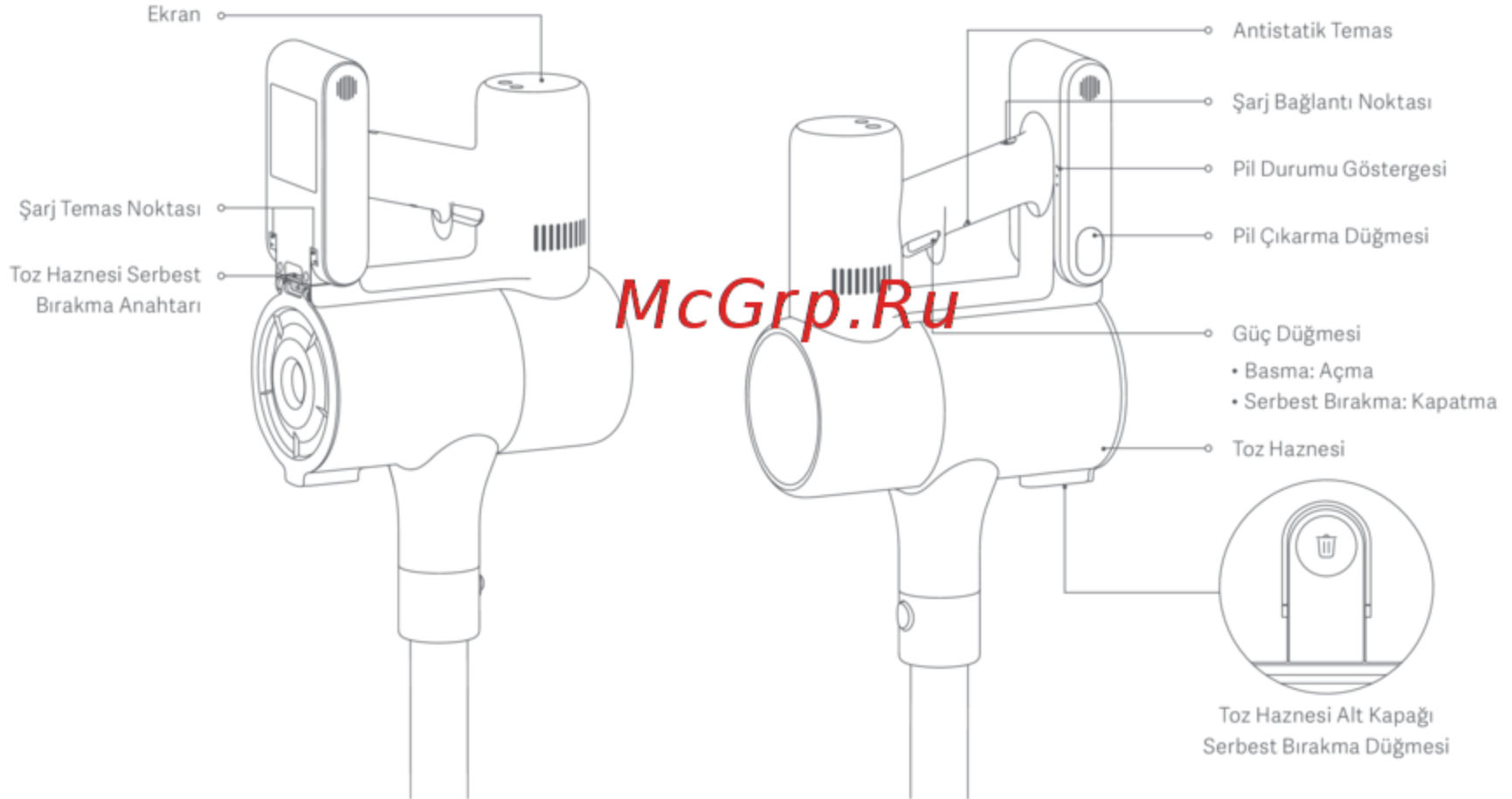
Su Haznesi



Paspas Padi  
(Önceden takılmıştır)

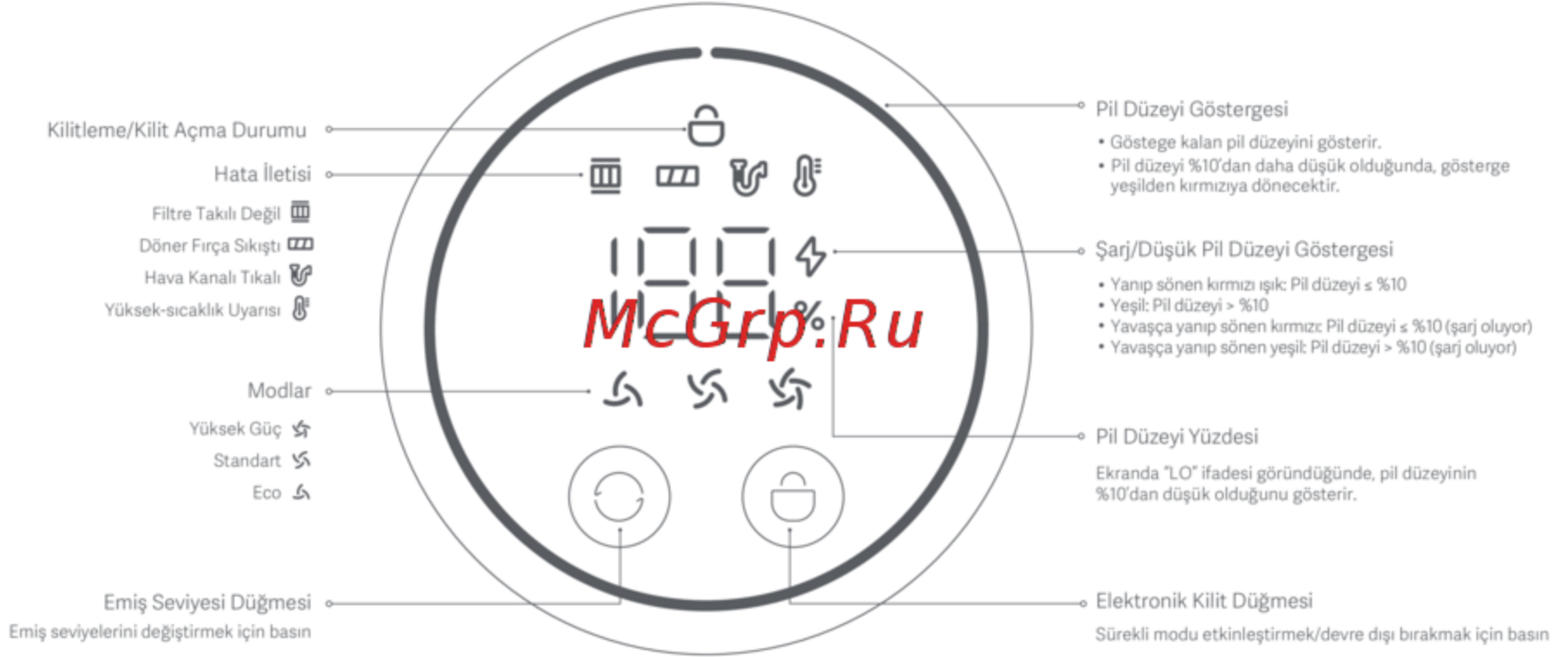
Not: Kullanım kılavuzundaki ürün, aksesuar ve kullanıcı arayüzü çizimleri yalnızca referans amaçlı olarak sağlanmıştır. Ürün iyileştirmeleri nedeniyle asıl ürün ve işlevler farklılık gösterebilir.

Bileşen Adı





## Ekran

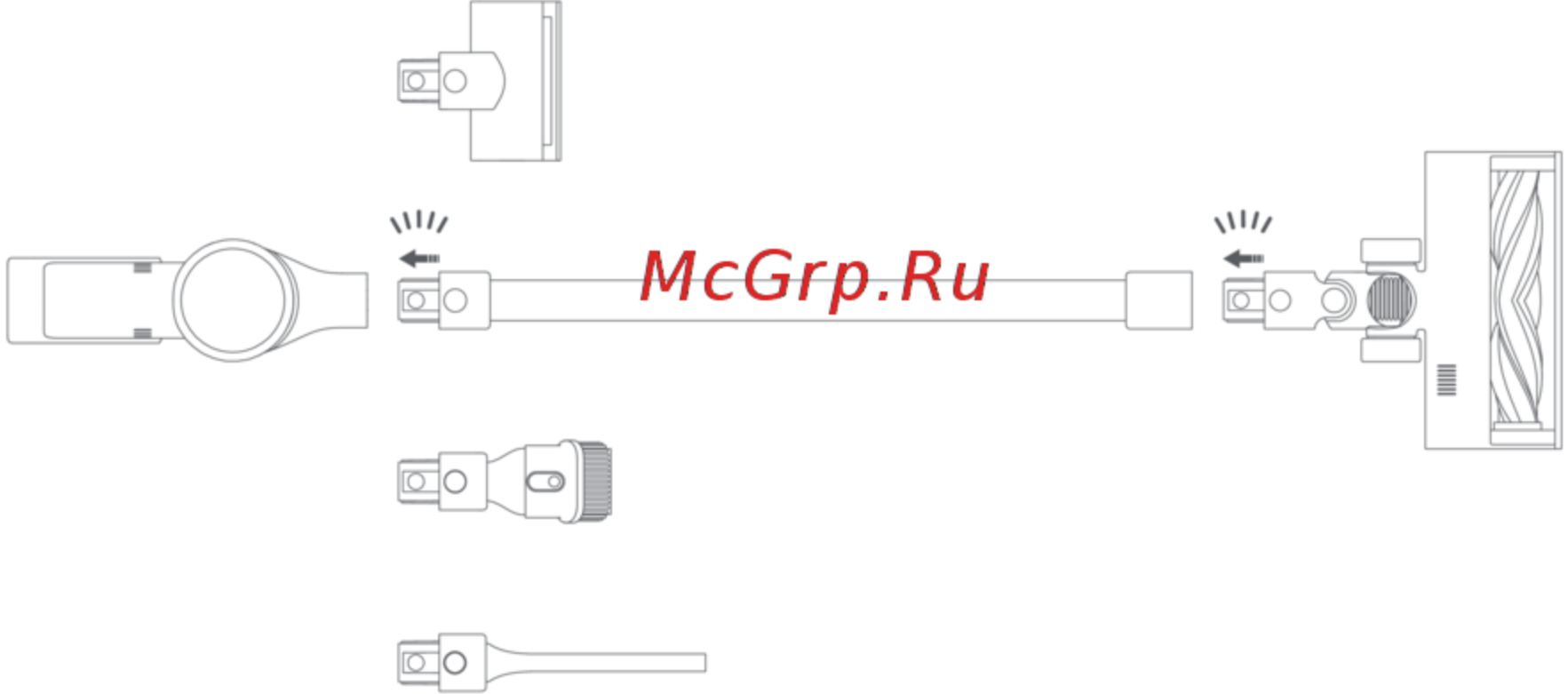


Not: Eğer elektrikli süpürge bir arıza yaşıyorsa, görüntü ekranı bir hata mesajı gösterecektir. Bir çözüm için lütfen Sorun Giderme bölümüne bakın.

## Nasıl Kurulur

### Aksesuarları Elektrikli Süpürgeye Takma

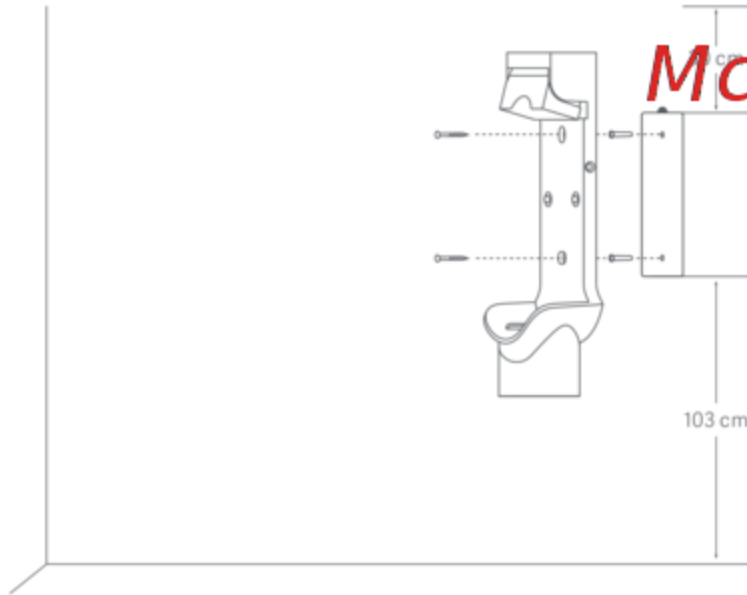
 Yerine oturup çıt sesi çıkarana kadar takın



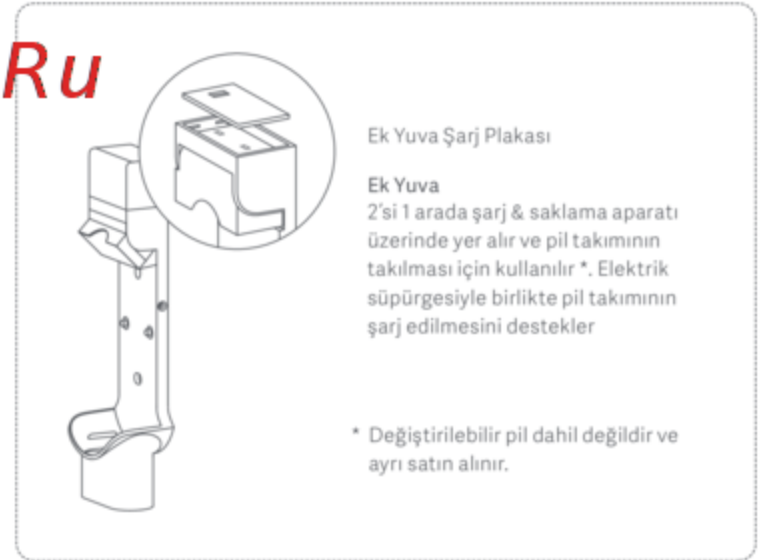
Not: Mini elektrikli fırça, uzatma çubuğu ile kullanılmamalıdır.

## 2'si 1 Arada Şarj ve Saklama Aparatını Takma

1. 2'si 1 arada şarj & saklama aparatı, yakınında elektrik prizi bulunan serin ve kuru bir yere takılmalıdır. Takmadan önce, duvarda montaj yapılacak yerin arkasında herhangi bir kablo veya boru olmadığından emin olun.
2. Aparat şablonu etiketinin alt bölümü düz olmalı ve zeminden 1,03 metre yukarıda olmalıdır, üst bölümü ise buradan en az 30 cm'lik bir açıklığa sahip olmalıdır.
3. Aparat şablonu etiketi üzerinde işaretlenen her konumda delik açmak için 8 mm'lik uca sahip bir matkap kullanın, ardından bu deliklere dübel takın.
4. 2'si 1 arada şarj & saklama aparatının üzerindeki montaj deliklerini duvardaki deliklerle hizalayın, ardından birlikte verilen vidaları kullanarak aparatı duvara takın.



Önerilen Yükseklik: Zeminden en az 1,03 metre



## Şarj Etme

### Emiş Gücü Düğmesi

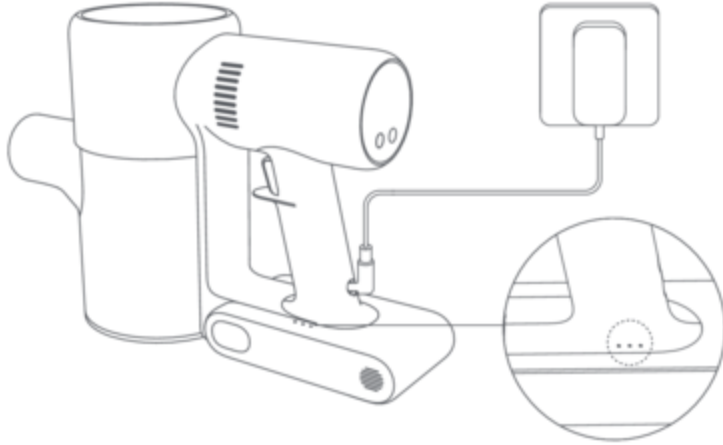
Not: ○ kapalı anlamına gelir, ● açık anlamına gelir ve ☀ yanıp sönmeye anlamına gelir.

☀ ○ ○ Düşük pil ● ● ☀ Neredeyse dolu  
● ☀ ○ Pil yarım dolu ● ● ● Tamamen şarj oldu

Elektrikli süpürge tamamen şarj olduğunda, gösterge 5 dakika sonra kapanacaktır ve elektrikli süpürge ardından enerji tasarrufu moduna girecektir.

### Ekran

Görünüm ekranındaki sayı, şarj sırasındaki mevcut pil düzeyini yüzde olarak gösterir. Sayı 100 olduğunda, pil tamamen şarj olmuş demektir. Elektrikli süpürge şarj olurken, ekranı açmak ve mevcut şarj yüzdesini kontrol etmek için güç düğmesine basabilirsiniz.



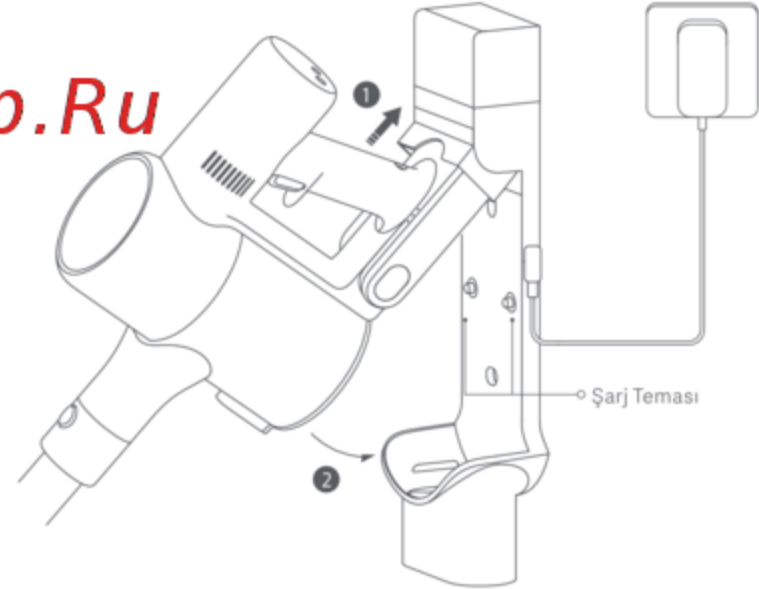
Emiş Gücü Düğmesi

Elektrikli süpürgeyi şarj cihazı ile şarj etme

### Notlar:

- Elektrikli süpürgeyi ilk kez kullanmadan önce tamamen şarj edin. Cihazın tamamen şarj olması yaklaşık 4 saat sürer.
- Elektrikli süpürge şarj olurken kullanılamaz.
- En yüksek emiş seviyesinde uzun süreli süpürme pilin ısınmasına neden olarak şarj süresini uzatabilir. Elektrikli süpürgeyi şarj etmeden önce 30 dakika boyunca soğumasını beklemek daha iyi olacaktır.

**McGrp.Ru**



Elektrikli süpürgeyi şarj cihazı ile şarj etme

## Kullanım

### Emiş Seviyelerini Deęiřtirme

Elektrik süpürgesinin Eco, Standart ve Turbo emiş seviyeleri arasında geçiş yapmak için  düğmesine basın. İlgili emiş seviyesi göstergesi ekranda vurgulu bir şekilde görünecektir.

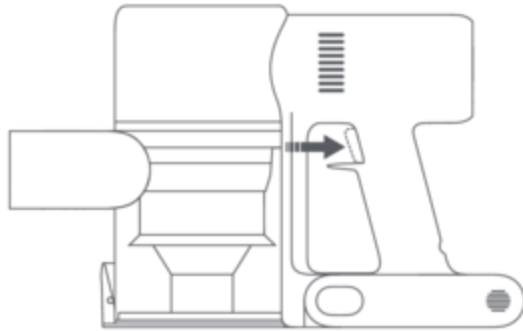
Not: Elektrik süpürgesi kapandıktan ve tekrar açıldıktan sonra, emiş seviyesi son kullanılan seviye olacaktır.

### Çalışma Modları

Elektrik süpürgesi iki çalışma moduna sahiptir, bundan dolayı temizlik ihtiyaçlarınıza göre istediğinizi seçebilirsiniz.

#### • Sürekli Olmayan Mod

Elektrik süpürgesini çalıştırmak için güç düğmesine bastırın, ardından durdurmak için düğmeyi bırakın.

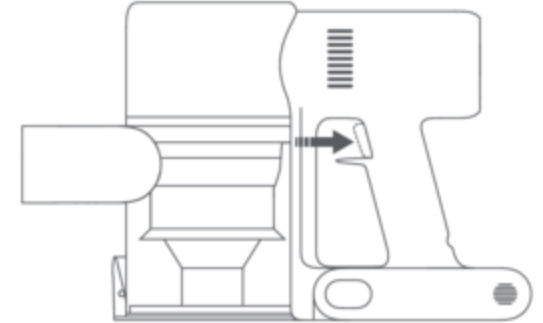


Sürekli Olmayan Mod

#### • Sürekli Mod

Sürekli Modu etkinleřtirmek için  düğmesine basın, ardından elektrik süpürgesini açmak için güç düğmesine basın. Sürekli Moddan çıkmak için,  düğmesine basın.

Sürekli Modun etkinleřtirilmesi, elektrik süpürgesinin güç düğmesine basılı tutmak zorunda kaldığınız, parmaklarınızı serbest bırakmanıza yardımcı olacak şekilde sürekli çalışmasına olanak tanır.



Sürekli Mod

#### Notlar:

- Sürekli Modda, güç düğmesine basıldığında elektrik süpürgesi bekleme moduna girecektir ve eđer düğmeye tekrar basılırsa, çalışmaya devam edecektir.
- Elektrik süpürgesi eđer 10 saniyeden daha uzun bir süre bekleme modunda kalırsa, gösterge ekranı kapanacaktır ve elektrik süpürgesi Sürekli Moddan çıkacaktır.

## Farklı Aksesuarların Kullanılması

**Yüksek Torklu Döner Başlık:** Ahşap, mermer, fayans ve halı gibi farklı zemin türlerinin temizlenmesi için.

Not: Yüksek torklu döner başlık direkt olarak elektrikli süpürgeye takılabilir.

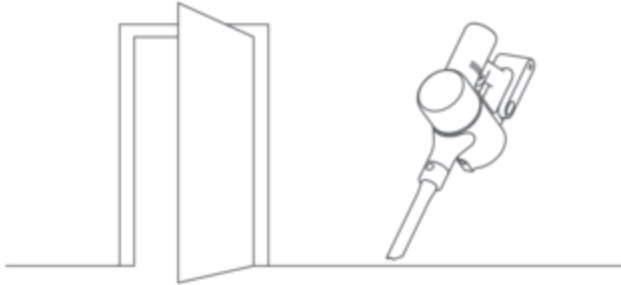


**Mini Elektrikli Fırça:** Koltuklardan, yatak takımlarından ve diğer kumaş yüzeylerden kirlerin, evcil hayvan tüylerinin ve diğer inatçı kalıntıların temizlenmesi içindir.

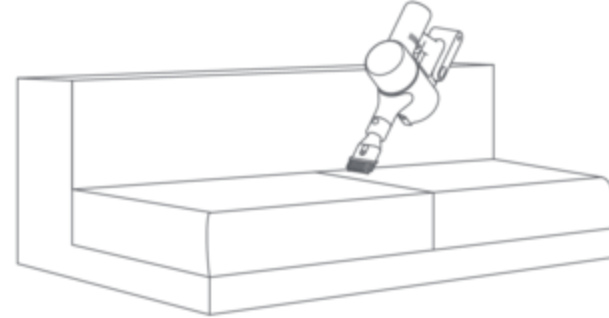


**McGrp.Ru**

**Aralık Temizleme Başlığı:** Kapıların, pencerelerin, süpürgeliklerin, köşelerin, merdivenlerin, vs. etrafındaki dar aralıkları ve yerleri süpürmek için.



**2'si 1 Arada Fırça Ağzılık:** Perdeler, kanepeler, araç içleri, sehpa, vs. üzerini süpürmek için.



### Notlar:

- Döner herhangi bir parça sıkışırsa elektrikli süpürge otomatik olarak kapanabilir. Kullanmaya devam etmek için sıkışan yabancı cisimleri çıkarın.
- Pil için yüksek sıcaklık koruması tetiklendiğinde, elektrikli süpürge otomatik olarak çalışmayı durduracaktır. Pilin sıcaklığı normale dönene kadar bekleyin ve daha sonra kullanmaya devam edin.

## Paspaslama İşlevini Kullanma

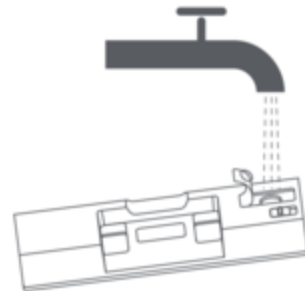
Notlar:

- Su haznesine basmayın, çünkü bu kalıcı hasarlara neden olabilir.
- Daha iyi bir deneyim için, çok kirli olan zeminler öncelikle süpürülmelidir.
- Paspaslama işlevini halı üzerinde kullanmayın.
- Herhangi bir temizlik malzemesi ya da dezenfektan kullanmayın.

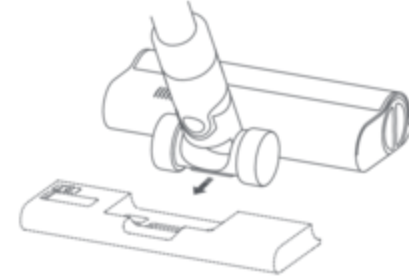
1. Paspas pedini nemlendirin ve aşırı suyu sıkın, ardından su haznesinin altına sıkıca takın.



2. Su haznesinin tapasını açın, yeterli miktarda temiz su ekleyin, ardından tapayı kapatın.



3. Yüksek torklu fırça çubuğunu üzerlerindeki mıknatıslar birbirleriyle örtüşene kadar hizalayarak su haznesine takın.



4. Bu fonksiyon, parke ve karo zeminleri süpürmek ve silmek için tasarlanmıştır.



OFF (KAPALI) → ON (AÇIK)

Notlar:

- Su haznesindeki bilyeli valf ne kadar suyun dağıtılacağını kontrol eder. Bilye hareketli parçadır, başlatma ve durdurma sırasında yuvarlanma sesi çıkarabilir. Bu normaldir.
- Kullanılmıyorken, lütfen OFF (KAPALI) konuma getirin.

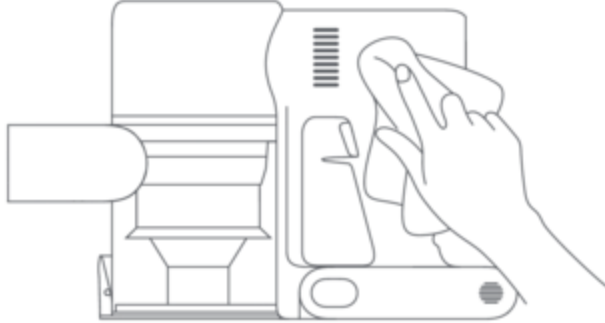
## Bakım

### Bakım Esnasında Alınacak Önlemler

- Garantinizin geçersiz olmaması için her zaman orijinal parça kullanın.
- Eğer filtre, uzatma çubuğu veya yüksek torklu döner başlık tıkanırsa, elektrikli süpürge kısa süre içerisinde çalışmayı durduracaktır. İşlevini eski haline döndürmek için tıkanmış olan bileşeni temizleyin.
- Elektrikli süpürge uzun süre kullanılmıyorsa tam olarak şarj edin ve fişini prizden çektikten sonra doğrudan güneş ışığına maruz kalmayacak şekilde serin ve düşük nemli bir ortamda saklayın. Pilin aşırı boşalmasını önlemek için elektrikli süpürgeyi en az üç ayda bir şarj edin.

### Elektrikli Süpürgeyi Temizleme

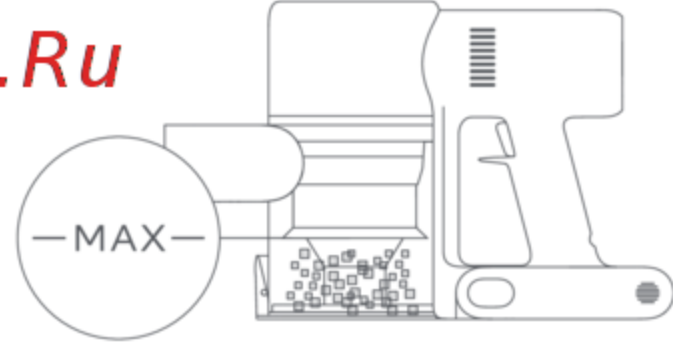
Elektrikli süpürgeyi yumuşak, kuru bir bezle silin.



### Toz Haznesinin, Ön Filtrenin ve Siklon Düzeneğinin Temizlenmesi

1. Eğer toz haznesi "MAX" işaretine kadar dolu olursa, elektrikli süpürgeyi temizleme performansı azalacaktır. Performansı tekrar yükseltmek için toz haznesini en kısa sürede boşaltın. Hazneyi boşaltmadan önce, elektrikli süpürge güç bağlantısının kesildiğinden emin olun ve güç düğmesine basmayın.

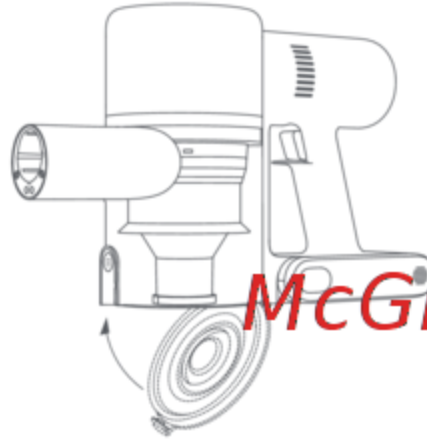
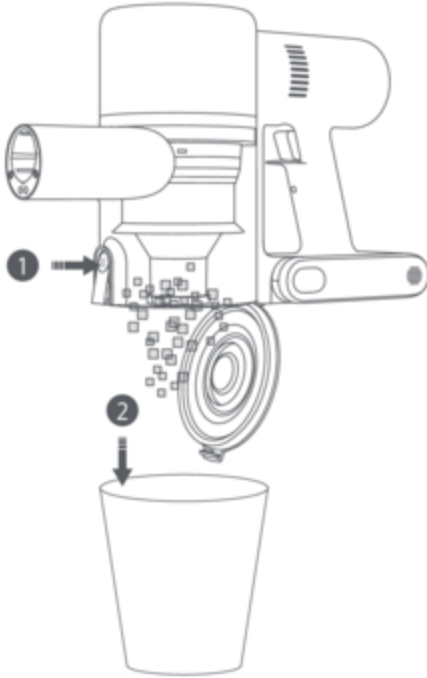
*McGrp.Ru*



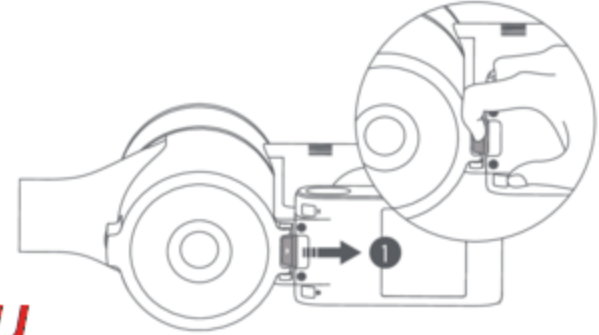


2. Toz haznesi alt kapağı serbest bırakma düğmesine basın, ardından içindekileri boşaltın.

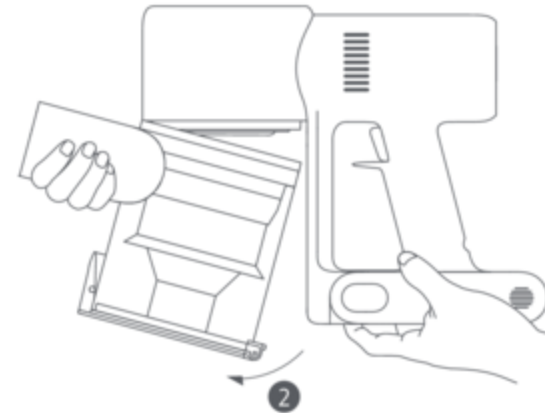
3. Toz bölmesi serbest bırakma anahtarını resim ❶ 'de gösterilen yönde çekin, ardından resim ❷ 'de gösterildiği gibi toz bölmesini elektrik süpürgesinden çıkarın.



*McGrp.Ru*

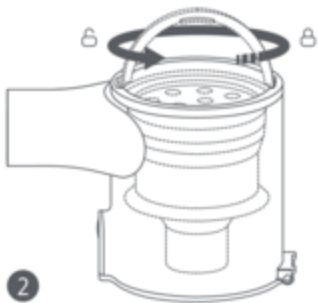
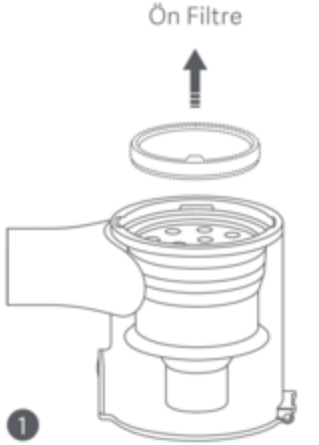


Toz Haznesi Serbest Bırakma Düğmesi



4. Öncelikle ön filtreyi çıkarın, ardından siklon düzeneğinin tutma sapını kaldırın ve durana kadar saat yönünün tersi yönünde çevirin, ardından siklon düzeneğini dışarı çekin.

5. Ön filtreyi, siklon düzeneğini ve toz haznesini temizlenene kadar su ile durulayın, ardından her bir bileşeni tamamen kurumaları için en az 24 saat bir kenarda bekletin.



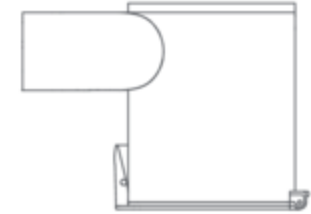
*McGrp.Ru*



Ön Filtre



Siklon Düzeneği

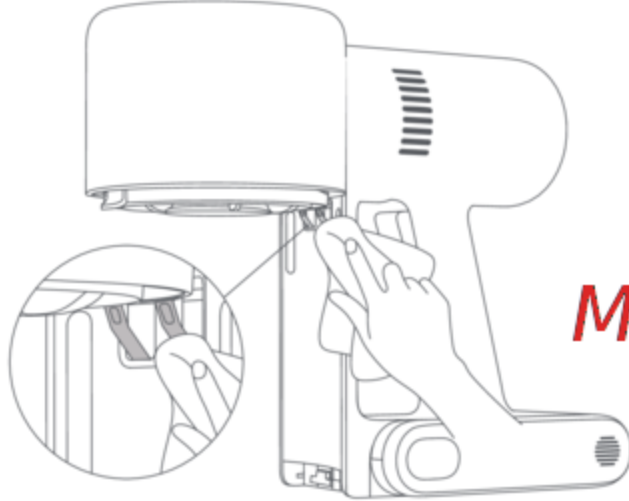


Toz Haznesi

Notlar:

- Toz haznesi ayda en az bir kez durulanmalıdır.
- Ön filtre ve siklon düzeneği her 3-4 ayda bir temizlenmelidir.

6. Elektrikli süpürge'nin temas noktalarını kirli olmaları durumunda yumuşak kuru bir bezle silin.



**Notlar:**

- Toz haznesini temizlemek için deterjan, cila veya oda spreyi kullanmayın.
- Toz haznesini, ön filtreyi ya da siklon düzeneğini bulaşık makinesinde veya çamaşır makinesinde temizlemeyin veya herhangi bir parçayı kurutma makinesi, fırın, mikrodalga fırın ya da açık ateş yakınında kurutmaya çalışmayın.

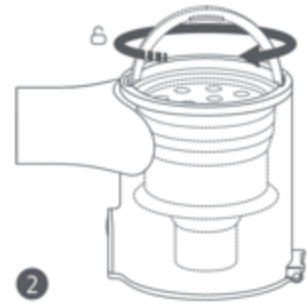
### Toz Haznesinin, Ön Filtrenin ve Siklon Düzeneğinin Takılması

1. Siklon düzeneğini toz haznesine dikey olarak yerleştirin ve siklon düzeneğinin tutma sapını ile toz haznesinin sol tarafındaki yuvanın aynı hizada olduğundan emin olun. Tutma sapını kilitlenene kadar saat yönünde çevirin, ardından tutma sapını döndürün.
2. Ön filtreyi ön tarafı yukarı bakacak şekilde siklon düzeneğine yerleştirin.

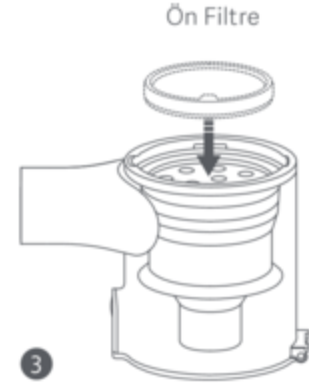
*McGrp.Ru*



1



2



3

3. Toz haznesini, yuvası elektrikli süpürgedeki klipsle hizalanacak şekilde hafifçe eğin. Daha sonra yerine oturana kadar toz haznesini yavaşça ittirin.



Yerine oturup çıt sesi çıkarana kadar takın

### Filtreyi Temizleme

1. Toz haznesini şekilde gösterildiği gibi çıkarın.

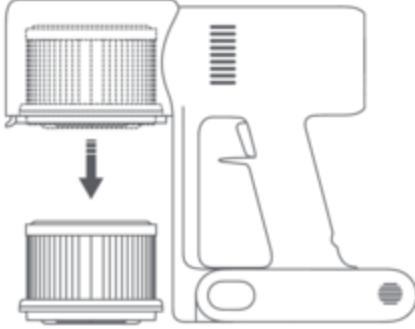


Toz Haznesi Serbest Bırakma Düğmesi

#### Notlar:

- Filtrenin her 4-6 ayda bir temizlenmesi önerilir.
- Filtrenin gerçek kullanım koşullarına bağlı olarak filtreyi her 6-12 ayda bir değiştirmeniz önerilir.

2. Filtreyi şekilde gösterilen yönde aşağı doğru çekerek elektrikli süpürgeден çıkarın.



4. Filtreyi en az 24 saat bekleterek tamamen kurumasını sağlayın.

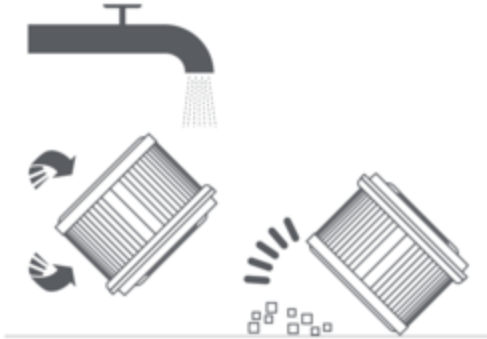


3. Filtreyi temiz su ile temizleyin. Filtrede biriken tozun tümünü tamamen temizlemek için filtreyi 360° döndürdüğünüzden emin olun. Fazla kirdi temizlemek için filtreye birkaç kez hafifçe vurun.

**McGrp.Ru**

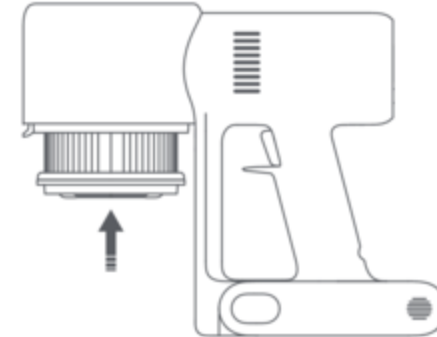
Filtrenin Takılması

1. Filtreyi elektrikli süpürgeye takın ve şekilde gösterildiği gibi yavaşça bastırın.



Notlar:

- Filtreyi temizlemek için sadece temiz su kullanın. Deterjan kullanmayın.
- Filtreyi fırça veya parmaklarınızı kullanarak temizlemeyi denemeyin.



2. Toz haznesinin yeniden takılması.



Yerine oturup çıt sesi çıkarana kadar takın

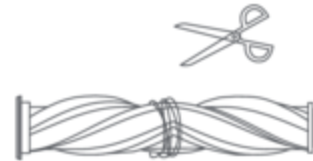
Yüksek Torklu Döner Başlığın Temizlenmesi

1. Kilidi durana kadar saat yönünün tersi yönünde çevirin, daha sonra döner fırçayı yüksek torklu döner başlıktan çıkarın.



**McGrp.Ru**

2. Döner fırçanın etrafına dolanmış olan saç veya diğer kalıntıları kesmek ve çekip çıkarmak için makas kullanın. Yuvada bulunan fazla tozu silin ve kuru bir bez veya kağıt havlu kullanarak plastik kapağı temizleyin.

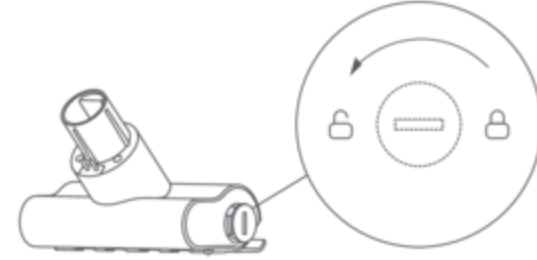



3. Uzun süreli kullanımdan sonra döner fırça kirlenebilir ve yıkanmalıdır. Yıkama sonrasında döner fırçayı iyi havalandırılmış bir alanda en az 24 saat boyunca dik bir şekilde bırakarak iyice kurumasını sağlayın.



### Mini Elektrikli Fırçanın Temizlenmesi

1. Uygun bir alet yardımıyla klik sesi duyana kadar kilidi saat yönünün tersine çevirin.



4. Rulo fırçanın tamamen kuru olduğundan emin olun ve ardından yeniden takmak için rulo fırçanın üst tarafındaki kilidi  ile hizalayın. Rulo fırçayı yerine takmak için kilidi saat yönünde  işaretine doğru çevirin.

2. Döner fırçanın kilidini açtıktan sonra mini elektrikli fırçadan çıkarın, daha sonra döner fırçayı durulayın ve temizleyin.

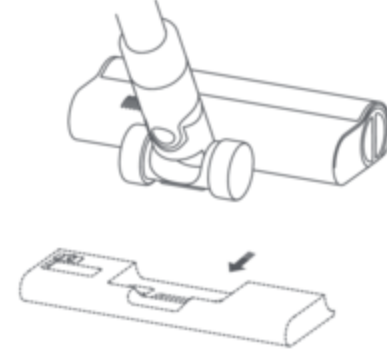


3. Yıkama sonrasında döner fırçayı iyi havalandırılmış bir alanda en az 24 saat boyunca dik bir şekilde bırakarak iyice kurumasını sağlayın.



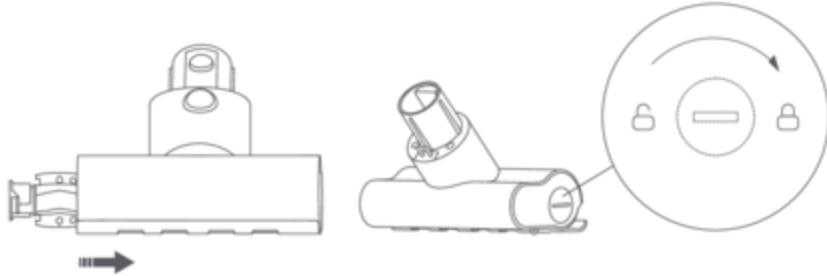
### Su Haznesinin ve Paspas Pedinin temizlenmesi

1. Yüksek torklu fırça çubuğundan çıkarmak için su haznesini aşağıda doğru kaydırın.

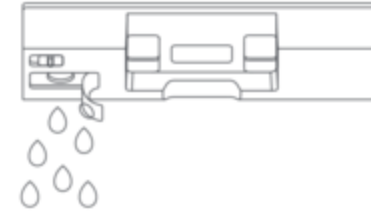


**McGrp.Ru**

4. Döner fırça kurduktan sonra sökme adımlarını tersine uygulayarak tekrar takın.



2. Su haznesini boşaltın.

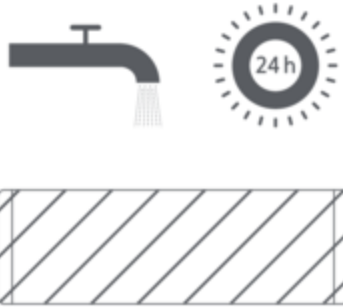




3. Paspas pedini su haznesinden çıkarın.



4. Paspas pedini temizleyin ve kurutun.



Notlar:

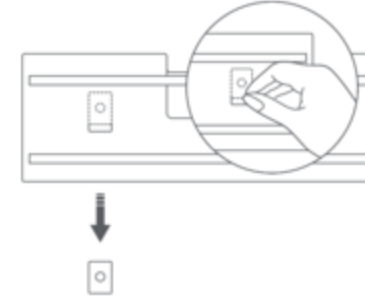
- Elektrik süpürgesi şarj olurken ya da kullanılmıyorken, su haznesini çıkarın ve küflenmeyi ya da kalıcı koku oluşumunu önlemek için kalan artık suyu boşaltın.
- Paspaslama işleminden sonra, paspas pedini çıkarın ve su çıkışının kirli suyla tıkanmasını önlemek için temizleyin.
- En iyi temizlik performansını elde etmek için su haznesine artık yapışamayan aşınmış ya da hasar görmüş paspas pedini değiştirmelisiniz.

## Su Dağıtıcı Filtresi

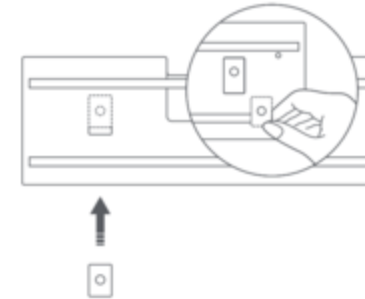
Eğer su haznesi suyu çok yavaş dağıtıyor ya da tıkanmışsa, su dağıtıcı filtresi değiştirilmelidir.

En iyi paspaslama verimliliği için, su kalitesine ve kullanım sıklığına bağlı olarak su dağıtıcı filtrelerin her 3 – 6 ayda bir değiştirilmesi önerilir.

1. Her bir yuvanın sol ve sağ taraflarındaki eski su dağıtıcı filtreleri kaydırmak için parmaklarınızı kullanın.



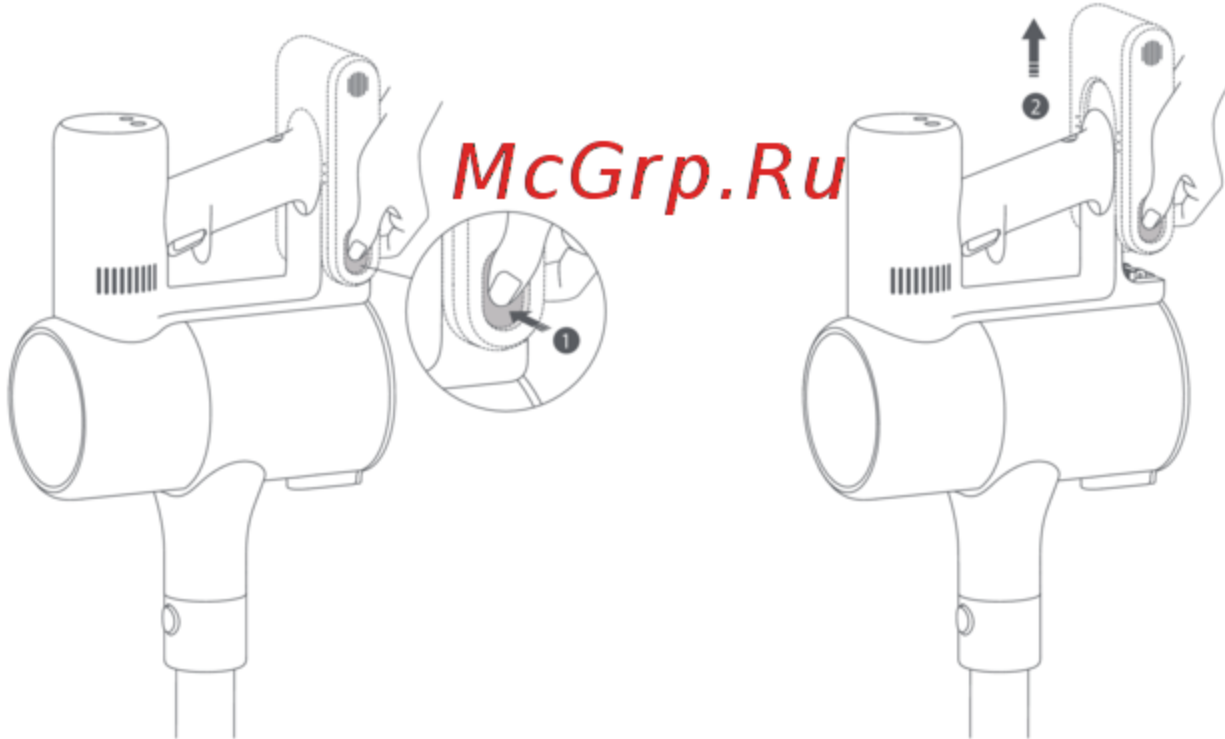
2. Yeni su dağıtıcı filtreleri takın ve doğru takıldıklarından emin olmak için kontrol edin.



## Pil Takımı

Elektrikli süpürge, sınırlı sayıda yeniden şarj etme döngüsü sahip, çıkarılabilir, şarj edilebilir bir lityum iyon pil takımı içerir. Uzun süreli kullanımdan sonra pil takımı artık şarj tutmayabilir. Eğer böyle bir durum gerçekleşirse, pil takımının kullanım ömrü sona ermiş ve değiştirilmesi gerekiyor demektir.

1. Pil takımı serbest bırakma tuşuna basın ve pil takımını resimde gösterildiği gibi sağa doğru kaydırın ve çıkarın.
2. Yeni pil takımını takın.



## Teknik özellikler

Kablosuz Elektrikli Süpürge			
Model	B207	Nominal Voltaj	25,2 V ---
Şarj Voltajı	30,8 V ---	Pil Kapasitesi	3000 mAh (Nominal kapasite) 2800 mAh (Değerlendirilmiş Kapasite)
Nominal Güç	425 W	Toz Bölmesi Kapasitesi	0,6 L
Şarj Süresi	Yaklaşık 4 saat	Net Ağırlık	1,7 kg
Ürün Boyutları	1286 × 214 × 256 mm	Net Ağırlık (Aksesuarlarla)	4,2 kg
Yüksek Torklu Döner Başlık		Mini Elektrikli Fırça	
Model	VMH1	Model	VTV104B
Nominal Güç	40 W	Nominal Güç	20 W
Nominal Voltaj	25,2 V ---	Nominal Voltaj	25,2 V ---
Güç Adaptörü			
Üretici	Zhongshan Baolijin Electronic Co., Ltd.	Ortalama Aktif Verim	%87,5
Model	BLJ24W308080P-V	Düşük Yükte (%10) Verim	%77,9
Giriş	100-240 V~ 50/60 Hz 0,8 A	Yüksüz Güç Tüketimi	0,10 W
Çıkış	30,8 V --- 0,8 A		
Şarj Edilebilir Lityum İyon Pil Takımı			
Model	V2210-7S1P-BCA/V2210-7S1P-BWA	Nominal kapasite	3000 mAh
Nominal Voltaj	25,2 V ---	Değerlendirilmiş Kapasite	2800 mAh
Enerji	70,56 Wh		

## Yönetmeliğe Uygunluk Bilgileri

### EU Uygunluk Beyanı



Dreame (Tianjin) Information Technology Co., Ltd. olarak işbu belge ile bu ekipmanın geçerli Direktiflere, Avrupa Normlarına ve değişikliklere uygun olduğunu beyan ederiz. AB uygunluk beyanının tam metnine şu adresten ulaşılabilir:

<http://www.mi.com/global/service/support/declaration.html>

Ayrıntılı e-kılavuz için lütfen [www.mi.com/global/service/userguide](http://www.mi.com/global/service/userguide) adresine gidin

### WEEE Bilgileri



Bu sembolü taşıyan tüm ürünler, elektrikli ve elektronik ekipman atıklarıdır (2012/19/EU sayılı direktifte WEEE olarak belirtilmiştir) ve bunların sınıflandırılmamış evsel atıklarla birlikte atılmaması gerekir. Bunun yerine ekipman atıklarınızı, elektrikli ve elektronik ekipman atıklarının geri dönüşümü için devlet veya yerel makamlar tarafından belirlenmiş bir toplama noktasına teslim ederek insan sağlığını ve çevreyi korumanız gerekir. Doğru imha ve geri dönüşüm, çevre ve insan sağlığı üzerindeki olası olumsuz sonuçları önlemeye yardımcı olur. Söz konusu toplama noktaları ve bu tür toplama noktalarının koşul ve şartları ile ilgili daha fazla bilgi için lütfen kurulumcuya veya yerel makamlara başvurun.

# McGrp.Ru

### Pil Güvenlik Önlemleri





- Lityum iyon pil takımı, çevre için tehlikeli maddeler içerir. Elektrikli süpürgeyi atmadan önce, lütfen ilk önce pil takımını çıkarın, ardından atın veya kullanıldığı ülkenin veya bölgenin yerel yasa ve yönetmeliklerine uygun olarak geri dönüştürün.
- Kötü kullanım koşulları altında, pilden sıvı çıkabilir. Tahrişe veya yanıklara neden olabileceğinden sıvı ile temastan kaçının. Temas olması durumunda su ile yıkayın. Eğer sıvı gözlere temas ederse, tıbbi yardım alın.

## Sorun Giderme

Sorun	Olası nedenler	Çözüm
Elektrikli süpürge çalışmıyor.	Pil bitmiş durumda veya pil düzeyi zayıf.	Elektrikli süpürgeyi tamamen şarj edin, daha sonra kullanıma devam edin.
	Tıkanıklık nedeniyle tetiklenen aşırı ısı koruma moduna giriyor.	Tıkanıklıkları açın ve soğuduğunda elektrikli süpürgeyi yeniden çalıştırın.
	Emiş aralığı veya hava yolu geçişi tıkalı.	Emiş aralığındaki veya hava yolu geçişindeki tıkanıklıkları açın.
Emiş gücü düşüyor.	Toz haznesi dolu ve/veya filtre tıkalı.	Toz haznesini boşaltın ve filtreyi temizleyin.
	Yüksek torklu döner başlık, uzatma çubuğu veya diğer parçalar tıkalı durumda.	Yüksek torklu döner başlıktaki, uzatma çubuğundaki veya diğer parçalardaki tıkanıklıkları açın.
Motor tuhaf bir ses çıkarıyor.	Ana emiş açıklığı veya uzatma çubuğu tıkalı durumda.	Ana emiş açıklığındaki ya da uzatma çubuğundaki tüm tıkanıklıkları açın.
Elektrikli süpürge açıldıktan sonra ilk gösterge kırmızı yanar.	Pil hasar görmüş.	Bakım ayarlamak için satış sonrası hizmet bölümüyle iletişime geçin.
Elektrikli süpürge şarj edilirken ilk gösterge kırmızı yanıp söner.	Şarj cihazı uyumsuz.	Elektrik süpürgesini şarj etmek için sadece orijinal şarj cihazını kullanın.
Şarj olurken pil göstergesinin ışığı yanmıyor.	Şarj cihazı elektrikli süpürgeye bağlı değil.	Şarj cihazının doğru bir şekilde takıldığından emin olun.
	Pil tamamen şarj oldu ve uyku moduna girdi.	Elektrikli süpürge normal bir şekilde kullanılabilir.
	Eğer yukarıdaki iki durum çözülmesine rağmen problem devam ederse, lütfen destek için satış sonrası hizmet bölümüyle iletişime geçin.	
Pil yavaş şarj oluyor.	Pil sıcaklığı çok düşük veya çok yüksek.	Pilin sıcaklığı normale dönene kadar bekleyin ve daha sonra kullanıma devam edin.
Su haznesi su dağıtımını yapmıyor ya da suyu yavaşça dağıtıyor.	Su dağıtıcı filtre tıkanmış.	Su dağıtıcı filtreyi temizleyin ya da değiştirin.
	Paspas pedi kirlidir.	Paspas pedini temizleyin ya da değiştirin.

## Hata simgesi

Eğer elektrikli süpürge düzgün çalışmıyorsa, görünüm ekranında bir hata mesajı görüntülenecektir. Hata mesajına bağlı olarak çözümü bulmak için lütfen aşağıdaki tabloya bakın.

Hata simgesi	Hata İletisi	Çözüm
	Hava Kanalı Tıkalı	Toz haznesinde, uzatma çubuğunda ve/veya yüksek torklu döner başlıkta herhangi bir tıkanıklık olup olmadığını kontrol edin.
	Döner Fırça Sıkıştı	Döner fırçaya takılan saç ve diğer kalıntıların nasıl temizleneceğine dair yönergeler için Bakım & Onarım bölümündeki "Yüksek Torklu Döner Başlığın Temizlenmesi" bölümüne bakın.
	Yüksek-sıcaklık Uyarısı	Pilin sıcaklığı normale dönene kadar bekleyin ve daha sonra kullanıma devam edin.
	Filtre Takılı Değil	Filtrenin ve ön-filtrenin doğru takıldığından emin olun.

Eğer E0 ile E4 aralığındaki hata kodlarından biri ekranda görünürse, lütfen onarım için satış sonrası hizmet ekibiyle iletişime geçin.

## Veiligheidsinstructies

---

Dit product is alleen bestemd voor huishoudelijk gebruik. Lees de handleiding vóór gebruik zorgvuldig door en bewaar deze om later te kunnen raadplegen.

Dit apparaat kan worden gebruikt door kinderen van 8 jaar en ouder en door personen met een fysieke, zintuiglijke of mentale beperking of gebrek aan ervaring en kennis, mits ze onder toezicht staan of instructies hebben ontvangen met betrekking tot het veilige gebruik van het apparaat en de gevaren hiervan begrijpen. Kinderen mogen niet met het apparaat spelen. Reiniging en gebruiksonderhoud mogen niet worden uitgevoerd door kinderen die niet onder toezicht staan.

Gebruik het product niet in een omgevingstemperatuur onder 5 °C of boven 38 °C of op een vloer met vloeistoffen of kleverige substanties.

Wanneer de oplader of batterij beschadigd raakt, moet deze worden vervangen door een speciaal snoer of onderdeel dat is aangeschaft bij de fabrikant of de dealer.

Om het risico op brand, explosie of persoonlijk letsel te beperken, moet u vóór gebruik controleren of de lithium-ionbatterij en oplader onbeschadigd zijn. Gebruik de stofzuiger niet als de batterij of de oplader is beschadigd.

Gebruik de stofzuiger alleen op droge oppervlakken binnenshuis. Plaats, laad of gebruik dit product niet buitenshuis, in badkamers of bij een zwembad.

Raak de stekker of onderdelen van de stofzuiger niet aan met natte handen.

De borstelstang met hoge koppel, de elektrische miniborstel, de batterij, het verlengstuk en de stofzuiger zijn elektrisch geleidend en mogen niet worden ondergedompeld in water of andere vloeistoffen. Zorg ervoor dat alle onderdelen goed droog zijn nadat u ze hebt schoongemaakt.

Om letsel door bewegende onderdelen te voorkomen, moet u de stofzuiger uitschakelen voordat u de borstelstang met hoge koppel en de elektrische miniborstel reinigt. De borstelstang met hoge koppel, het stofcompartiment en het filter moeten allemaal juist zijn geplaatst voordat u de stofzuiger gebruikt.

Gebruik de stofzuiger niet om ontvlambare of brandbare vloeistoffen op te zuigen, zoals benzine, bleekmiddel, ammoniak of afvoerreinigers. Gebruik de stofzuiger ook niet om andere vloeistoffen op te zuigen, zoals water.

Gebruik de stofzuiger niet om gipsplaatdeeltjes, as van bijvoorbeeld de open haard of rokende of brandende materialen, zoals kolen, sigarettenpeuken of lucifers, op te zuigen.

Gebruik de stofzuiger niet om scherpe of harde voorwerpen op te zuigen, zoals glas, spijkers, schroeven of munten, die het product kunnen beschadigen.

Houd haar, loszittende kleding, vingers en andere lichaamsdelen uit de buurt van de openingen en bewegende delen van de stofzuiger. Richt de aanzuigopening, het verlengstuk of andere accessoires niet op uw ogen of oren en stop ze niet in uw mond. Steek geen voorwerp in de openingen van de stofzuiger en gebruik de stofzuiger ook niet als een opening is geblokkeerd. Houd de opening vrij van stof, pluisjes, haar of andere voorwerpen die de luchtstroom kunnen belemmeren.

Plaats de stofzuiger niet tegen een stoel, tafel of andere onstabiele oppervlakken, aangezien dit schade aan het product of persoonlijk letsel kan veroorzaken. Neem contact op met de erkende serviceafdeling als de stofzuiger niet goed functioneert omdat deze is omgestoten of beschadigd. Probeer nooit zelf de stofzuiger uit elkaar te halen.

De klep van het stofcompartiment, het voorfilter, de cyclooneenheid en het filter moeten allemaal juist worden geplaatst voordat de stofzuiger in gebruik wordt genomen.

Zorg ervoor dat de stekker van de stofzuiger uit het stopcontact is getrokken als u hem langere tijd niet gebruikt of voordat u onderhoud of reparaties uitvoert.

Wees extra voorzichtig als u de stofzuiger gebruikt om trappen schoon te maken.

Waarschuwing voor brandgevaar: Breng geen geparfumeerde substantie aan op het filter van de stofzuiger. Van dit soort producten is bekend dat ze ontvlambare chemicaliën bevatten die ervoor kunnen zorgen dat de stofzuiger vlam vat.

Stel de batterij en het apparaat NIET bloot aan vuur, aangezien dit een explosie kan veroorzaken.

Stel de batterij en het apparaat NIET bloot aan (zout) water of andere vloeistoffen en dompel ze niet onder.

WAARSCHUWING: Gebruik geen batterij en oplader van derden.

Alleen gebruiken met de BLJ24W308080P-V oplader.

Alleen gebruiken met de V2210-7S1P-BCA/V2210-7S1P-BWA batterij.

Volg bij het gebruik van de stofzuiger strikt de instructies in deze gebruikershandleiding. De gebruiker is zelf verantwoordelijk voor enig verlies of enige schade als gevolg van een oneigenlijk gebruik van de stofzuiger.

**McGrp.Ru**

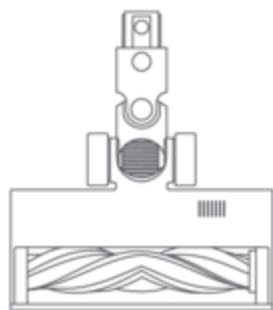


## Productoverzicht

### Lijst met accessoires



Verlengstuk



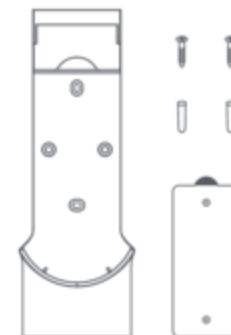
Borstelstang met hoge koppel



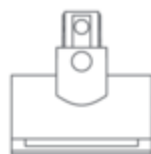
Opzetstuk voor elektrisch aansluitstuk



Oplader



2-in-1-houder voor opladen en opbergen  
(inclusief schroef × 2, muurplug × 2 en een sticker met montagesjabloon)



Elektrische miniborstel



2-in-1-borstelopzetstuk



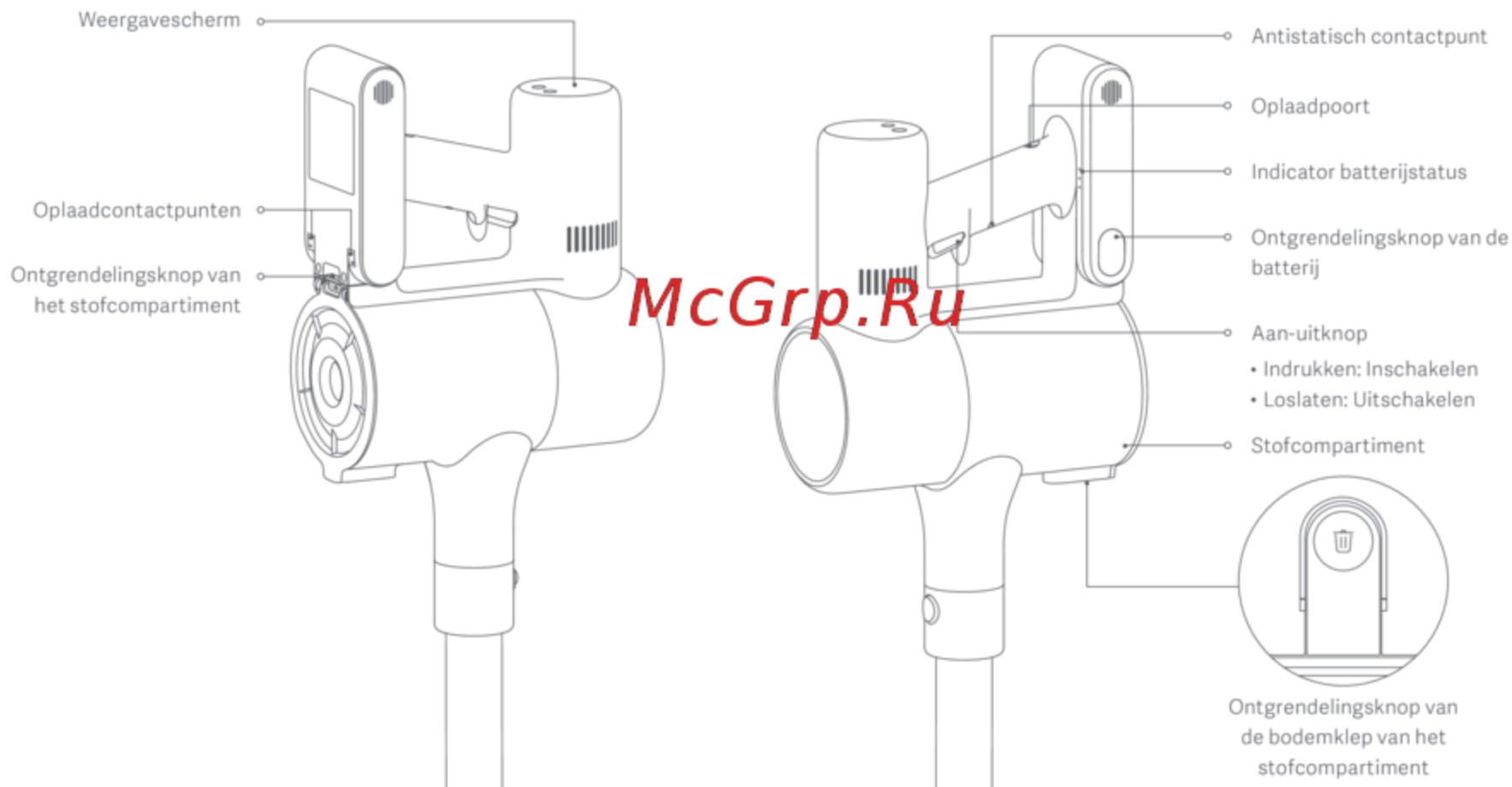
Waterreservoir



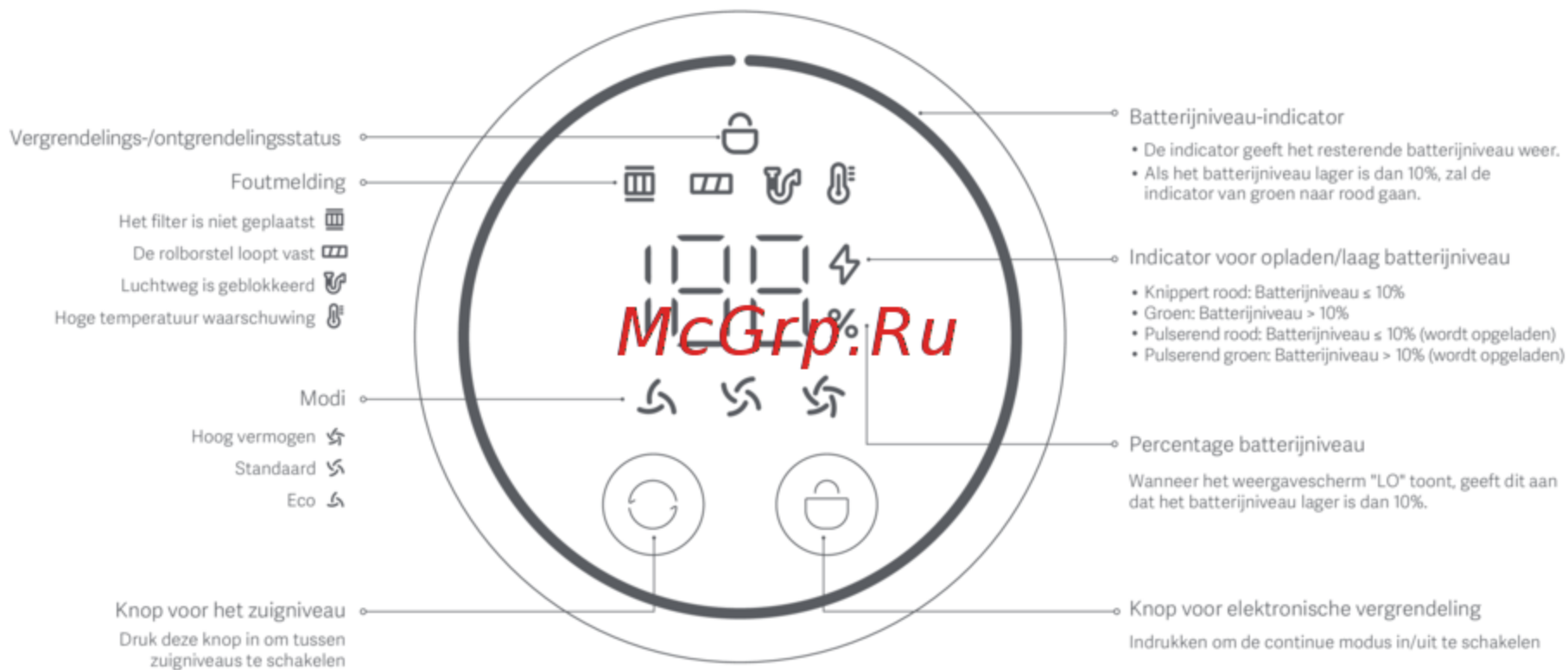
Dweilopzetstuk  
(vooraf geïnstalleerd)

Opmerking: Afbeeldingen van het product, accessoires en UI in de gebruikershandleiding zijn alleen ter referentie. Het daadwerkelijke product en de functionaliteit kunnen variëren door productverbeteringen.

Naam van onderdeel



## Weergavescherm

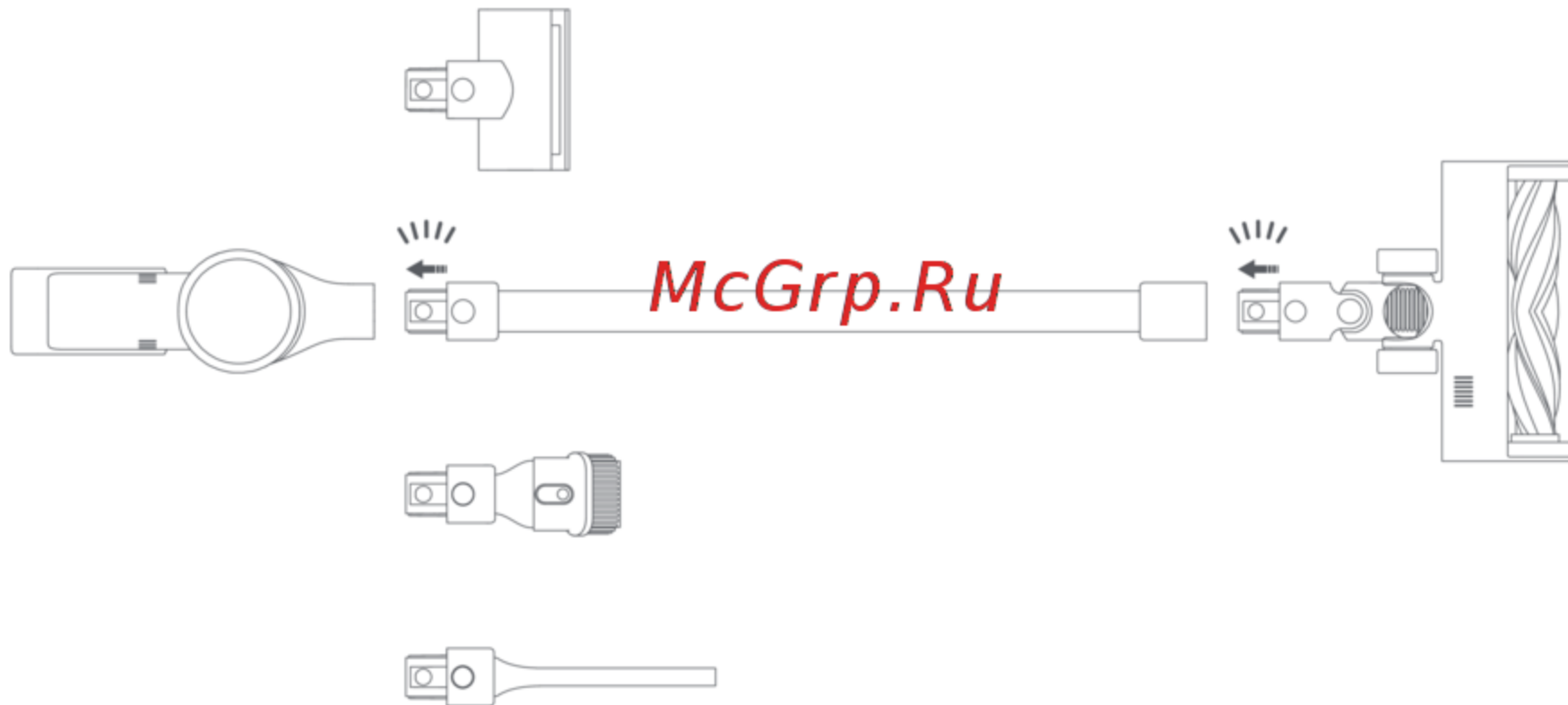


Opmerking: Als de stofzuiger een storing heeft, wordt er op het scherm een foutmelding weergegeven. Raadpleeg het gedeelte Problemen oplossen voor het vinden van de juiste oplossing.

## Installatie

De accessoires op de stofzuiger plaatsen

 Insteken totdat deze op zijn plaats klikt

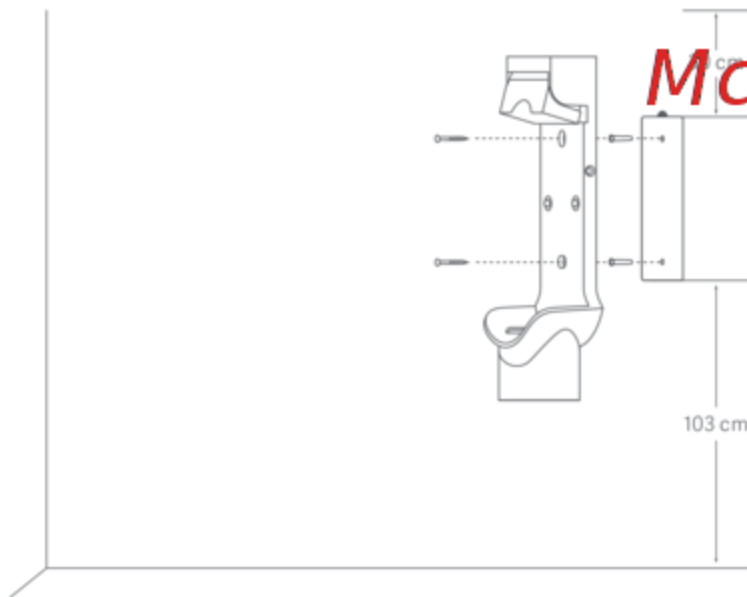


Opmerking: De elektrische miniborstel mag niet met het verlengstuk worden gebruikt.

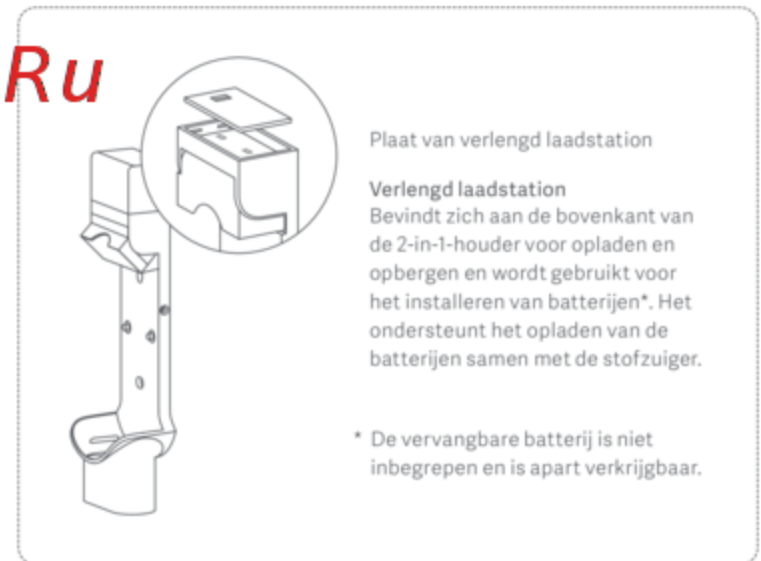
<https://mcgrp.ru/>

## De 2-in-1-houder voor opladen en opbergen installeren

1. De 2-in-1-houder voor opladen en opbergen moet op een koele, droge plaats worden geïnstalleerd met een stopcontact in de buurt. Controleer vóór de installatie of er zich geen draden of leidingen bevinden in de ruimte direct achter de plaats waar de steun zal worden geïnstalleerd.
2. De onderkant van de sticker met montagesjabloon moet waterpas zijn en zich minstens 1,03 m van de grond bevinden. Daarnaast moet er minstens 30 cm vrije ruimte boven de sticker zijn.
3. Gebruik een boormachine met een boor van 8 mm om een gat in elke gatmarkering op de sticker met montagesjabloon te boren en steek daarna in elk gat een muurplug.
4. Lijn de montagegaten op de 2-in-1-houder voor opladen en opbergen uit met de gaten in de muur en bevestig de steun vervolgens aan de muur met de meegeleverde schroeven.



Aanbevolen hoogte: Minstens 1,03 meter vanaf de vloer



## Opladen

### Indicator batterijstatus

Opmerking: ○ betekent uit, ● betekent aan, en ☀️ betekent knipperen.

☀️ ○ ○ Batterij bijna leeg      ● ● ☀️ Bijna vol  
● ☀️ ○ Batterij is halfleeg      ● ● ● Volledig opgeladen

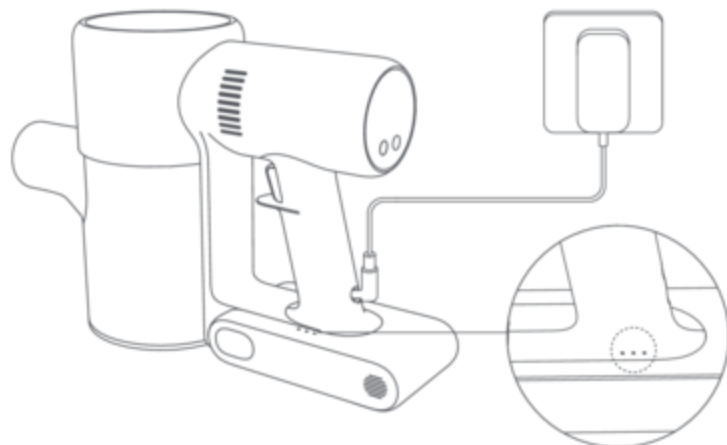
Zodra de stofzuiger volledig is opgeladen, gaat de indicator na 5 minuten uit en schakelt de stofzuiger over naar de energiebesparende modus.

### Weergavescherm

Tijdens het opladen geeft het getal op het scherm het huidige batterijniveau weer in procenten. Als het getal 100 is, is de batterij volledig opgeladen.

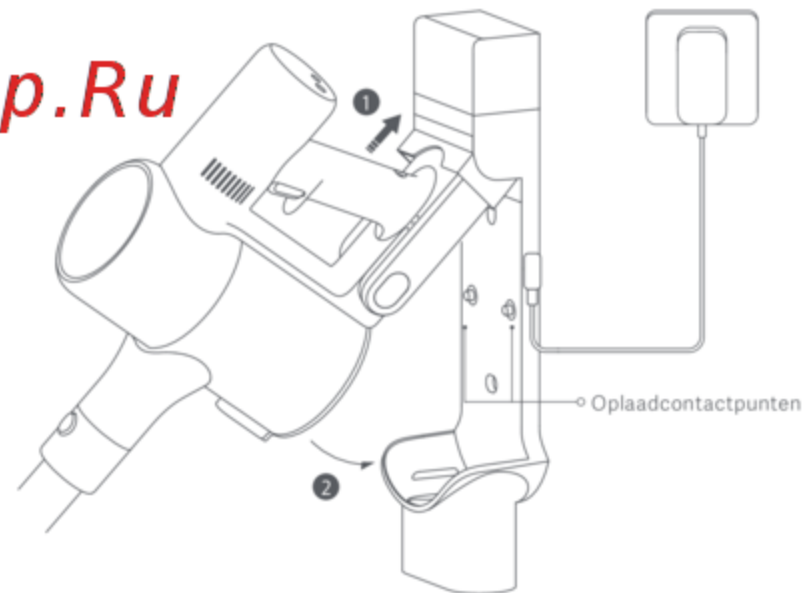
Wanneer de stofzuiger wordt opgeladen, kunt u op de aan-/uitknop drukken om het scherm te activeren en het huidige oplaadpercentage te controleren.

*McGrp.Ru*



Indicator batterijstatus

De stofzuiger opladen met de oplader



De stofzuiger opladen via de houder voor opladen

### Opmerkingen:

- Laad de stofzuiger vóór het eerste gebruik volledig op. Dit duurt ongeveer 4 uur.
- Tijdens het opladen kan de stofzuiger niet worden gebruikt.
- Door langdurig stofzuigen op het hoogste zuigniveau zal de batterij warmer worden, waardoor de oplaadtijd kan toenemen. Het is aanbevolen de stofzuiger eerst 30 minuten te laten afkoelen voordat u de stofzuiger oplaadt.

## Gebruik

### Schakelen tussen de zuigniveaus

Druk op de  knop om door de zuigniveaus van de stofzuiger van Eco, Standaard en Turbo te bladeren. De bijbehorende zuigniveau-indicator wordt aangegeven op het weergavescherm.

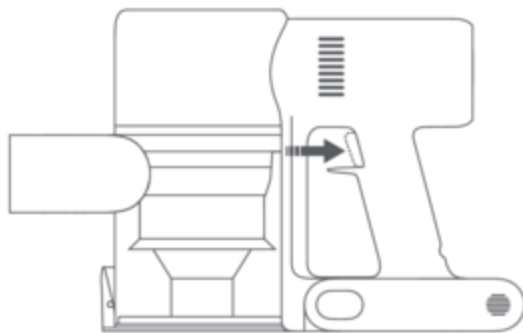
Opmerking: Nadat de stofzuiger is uitgeschakeld en weer wordt ingeschakeld, is het zuigniveau het laatst gebruikte niveau.

### Werkingsmodi

De stofzuiger heeft twee werkingsmodi die u kunt selecteren, afhankelijk van hoe u wilt schoonmaken.



#### • Niet-continue modus

Houd de aan-uitknop ingedrukt om de stofzuiger in te schakelen en laat de knop weer los om hem te laten stoppen met stofzuigen.



Niet-continue modus

#### • Continue modus

Druk op de knop  om de Continue modus in te schakelen. Druk vervolgens op de aan-uitknop om de stofzuiger in te schakelen. Om de Continue modus te verlaten, druk op de knop .

Wanneer u de Continue modus inschakelt, kan de stofzuiger continu werken zonder dat u de aan-uitknop ingedrukt hoeft te houden, zodat u uw vinger kunt loslaten.



Continue modus

#### Opmerkingen:

- In de Continue modus gaat de stofzuiger naar de stand-by modus wanneer u de aan-uitknop indrukt en gaat hij verder als u nogmaals op de knop drukt.
- Als de stofzuiger langer dan 10 seconden in de stand-by modus staat, gaat het weergavescherm uit en sluit de stofzuiger de Continue modus af.

## Verschillende accessoires gebruiken

Borstelstang met hoge koppel: Voor het reinigen van verschillende soorten vloeren zoals hout, marmer, tegels en tapijt.

Opmerking: De borstelstang met hoge koppel kan rechtstreeks op de stofzuiger worden aangesloten.



Elektrische miniborstel: Voor het opzuigen van vuil, haren van huisdieren en ander hardnekkig vuil van banken, beddengoed en andere stoffen oppervlakken.

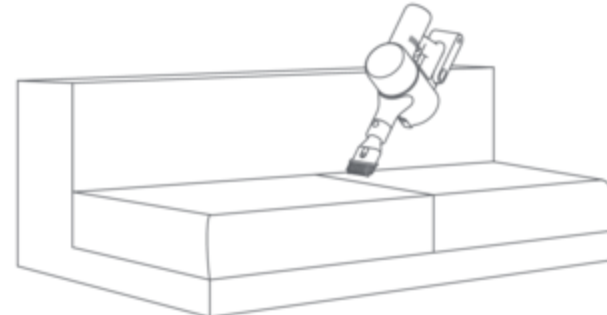


**McGrp.Ru**

Spleetmondstuk: Voor het stofzuigen van smalle spleten en gebieden rond deuren, ramen, plinten, hoeken, trappen, etc.



2-in-1-borstelopzetstuk: Voor het stofzuigen van gordijnen, banken, auto-interieurs, salontafels, etc.



Opmerkingen:

- Als een draaiend onderdeel vast komt te zitten, wordt de stofzuiger mogelijk automatisch uitgeschakeld. Verwijder vastzittende voorwerpen en ga verder met stofzuigen.
- Wanneer de bescherming tegen hoge temperaturen voor de batterij wordt geactiveerd, stopt de stofzuiger automatisch met werken. Wacht tot de temperatuur van de batterij weer normaal is en ga daarna verder met het stofzuigen.

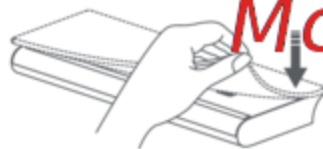


## De dweilfunctie gebruiken

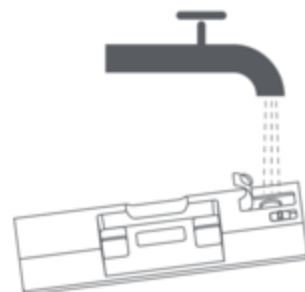
### Opmerkingen:

- Stap niet op het waterreservoir; dit kan het waterreservoir permanent beschadigen.
- Sterk vervuilde vloeren moeten vóór het dweilen worden gestofzuigd voor een beter resultaat.
- Gebruik de dweilfunctie niet op tapijt.
- Gebruik geen reinigings- of ontsmettingsmiddelen.

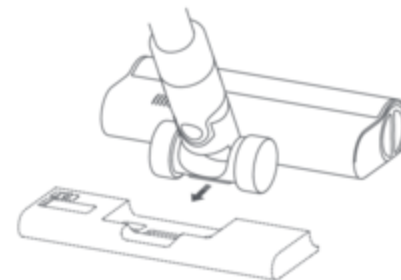
1. Maak het dweilopzetstuk vochtig en wring het overtollige water eruit. Bevestig het dweilopzetstuk vervolgens stevig aan de bodem van het waterreservoir.



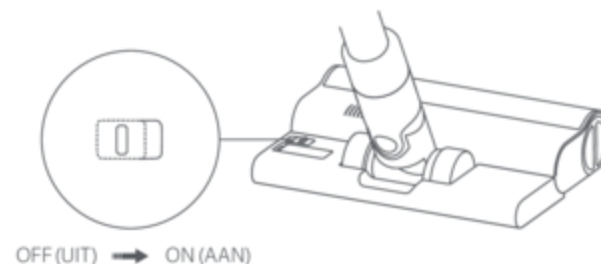
2. Open de stop van de watertank, voeg een passende hoeveelheid schoon water toe en sluit de stop.



3. Bevestig de borstelstang met hoge koppel aan het waterreservoir door de magneten van elk onderdeel uit te lijnen totdat ze in elkaar klikken.



4. Deze functie is bedoeld voor het stofzuigen en afnemen van hardhouten en tegelvloeren.



### Opmerkingen:

- De kogelklep in het waterreservoir regelt hoeveel water er wordt afgegeven. De kogel is een bewegend onderdeel en kan een rollend geluid maken bij het in- en uitschakelen van de stofzuiger. Dit is normaal.
- Als u deze niet gebruikt, laat de schakelaar op OFF (UIT) staan.

## Verzorging en onderhoud

### Voorzorgsmaatregelen voor het onderhoud

- Gebruik altijd originele onderdelen om te voorkomen dat uw garantie komt te vervallen.
- Wanneer het filter, het verlengstuk of de borstelstang met hoge koppel verstopt raakt, stopt de stofzuiger met werken. Reinig het verstopte onderdeel om het gebruik van de stofzuiger te hervatten.
- Als de stofzuiger gedurende langere tijd niet wordt gebruikt, laadt u hem volledig op, haalt u de stekker uit het stopcontact en bewaart u de stofzuiger in een koele omgeving met lage vochtigheid en uit de buurt van direct zonlicht. Om overmatige ontlading van de batterij te voorkomen, dient u de stofzuiger ten minste eens in de drie maanden op te laden.

### De stofzuiger reinigen

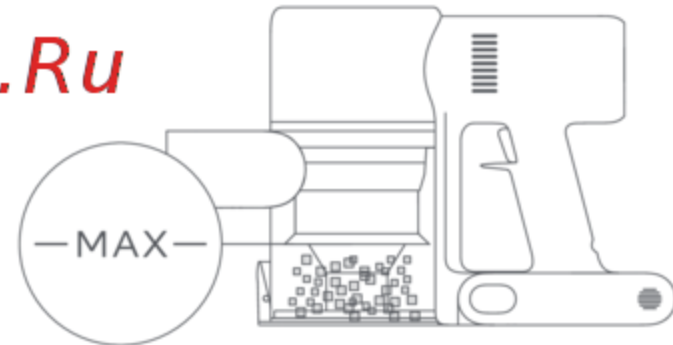
Veeg de stofzuiger af met een zachte, droge doek.



### Het stofcompartiment, het voorfilter en de cycloneenheid reinigen

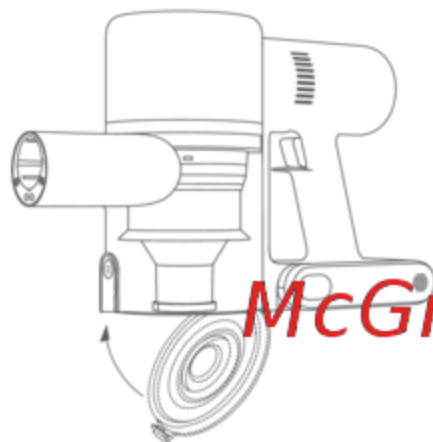
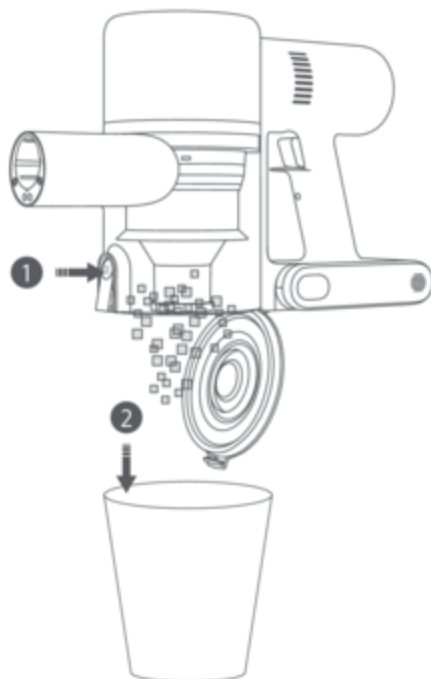
1. Het reinigende vermogen van de stofzuiger wordt verminderd als het stofcompartiment tot de 'MAX'-markering is gevuld. Dit kunt u voorkomen door het stofcompartiment tijdig te legen. Zorg ervoor dat de stofzuiger niet is verbonden met het stroomnet wanneer u het compartiment leegt en druk niet op de aan-uitknop.

*McGrp.Ru*

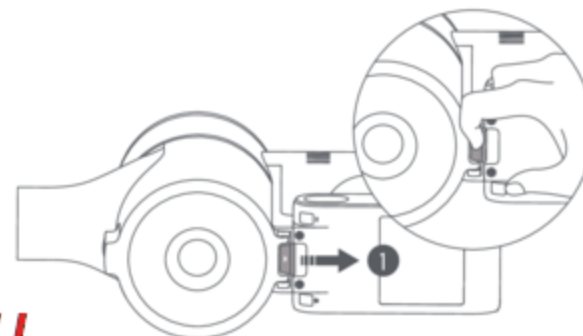


2. Druk op de ontgrendelingsknop van de bodemklep van het stofcompartment en verwijder de inhoud.

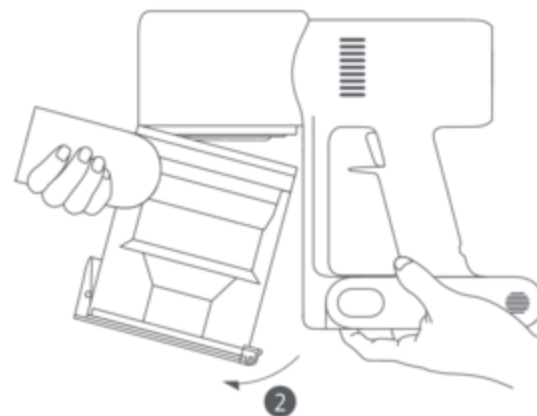
3. Trek de ontgrendelingsschakelaar van het stofcompartment in de richting die wordt geïllustreerd in afbeelding 1 en verwijder vervolgens het stofcompartment uit de stofzuiger zoals geïllustreerd in afbeelding 2.



McGrp.Ru

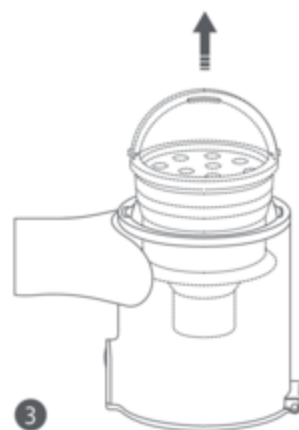
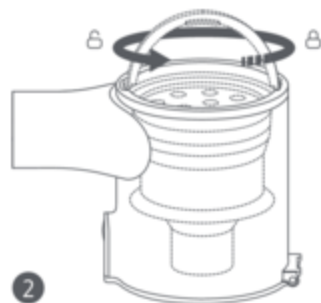
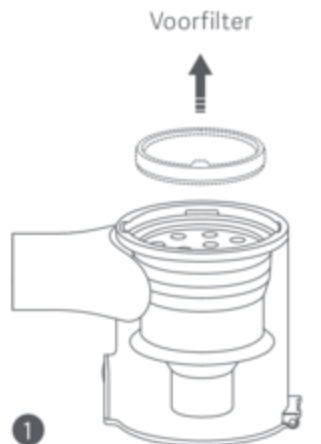


Ontgrendelingsknop van het stofcompartment



4. Verwijder eerst het voorfilter, til vervolgens de hendel van de cyclooneenheid op en draai deze tegen de klok in tot de hendel niet verder kan. Vervolgens trekt u aan de hendel om de cyclooneenheid te verwijderen.

5. Spoel het voorfilter, de cyclooneenheid en het stofcompartment met water tot deze schoon zijn. Leg vervolgens elk onderdeel weg en laat ze minstens 24 uur drogen.



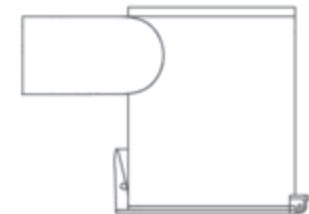
*McGrp.Ru*



Voorfilter



Cyclooneenheid

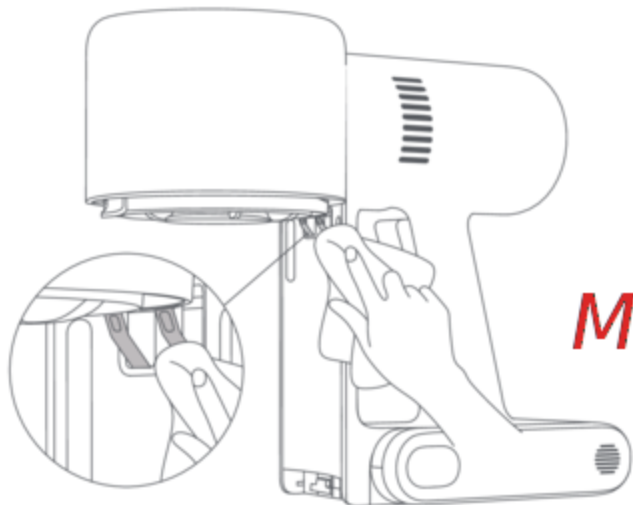


Stofcompartment

Opmerkingen:

- Het stofcompartment moet minstens één keer per maand worden uitgespoeld.
- Het voorfilter en de cyclooneenheid moeten eens in de 3 tot 4 maanden worden gereinigd.

6. Veeg eventuele vuile contactpunten van de stofzuiger af met een zachte, droge doek.



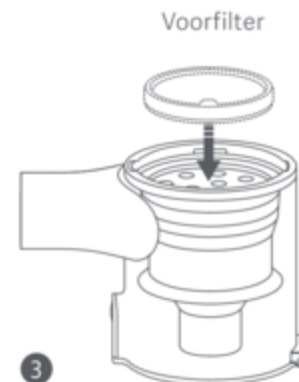
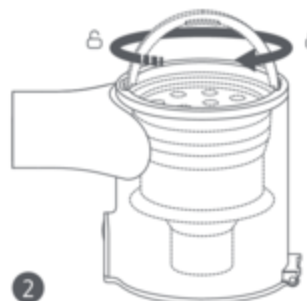
**Opmerkingen:**

- Gebruik geen schoonmaakmiddelen, poetsmiddelen of luchtverfrissers om het stofcompartiment te reinigen.
- Reinig het stofcompartiment, het voorfilter of de cyclooneenheid niet in een vaatwasser of wasmachine, en droog geen onderdelen in een wasdroger, oven, magnetron of in de buurt van open vuur.

## Het stofcompartiment, het voorfilter en de cyclooneenheid installeren

1. Steek de cyclooneenheid verticaal in het stofcompartiment en zorg ervoor dat de hendel van de cyclooneenheid is uitgelijnd met de gleuf aan de linkerkant van het stofcompartiment. Draai de hendel met de klok mee totdat deze vastklikt en klap de hendel daarna omlaag.
2. Plaats het voorfilter met de voorkant naar boven in de cyclooneenheid.

*McGrp.Ru*



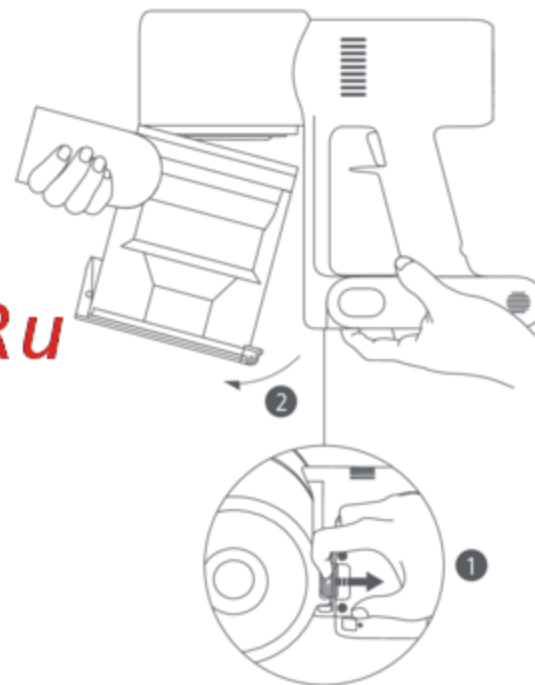
3. Kantel het stofcompartiment een beetje, zodat de sleuf is uitgelijnd met de clip op de stofzuiger. Duw vervolgens het stofcompartiment voorzichtig totdat het op zijn plaats klikt.



Insteken totdat deze op zijn plaats klikt

## Het filter reinigen

1. Verwijder het stofcompartiment zoals in de afbeelding wordt weergegeven.

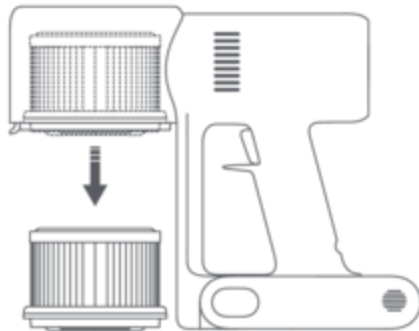


Ontgrendelingsknop van het stofcompartiment

### Opmerkingen:

- Het wordt aanbevolen om het filter eens in de 4 tot 6 maanden te reinigen.
- Het wordt aanbevolen om het filter eens in de 6-12 maanden te vervangen, afhankelijk van de daadwerkelijke gebruikstoestand van het filter.

2. Verwijder het filter uit de stofzuiger door het naar beneden te trekken in de richting die in de afbeelding wordt weergegeven.



4. Laat het filter minstens 24 uur helemaal drogen.

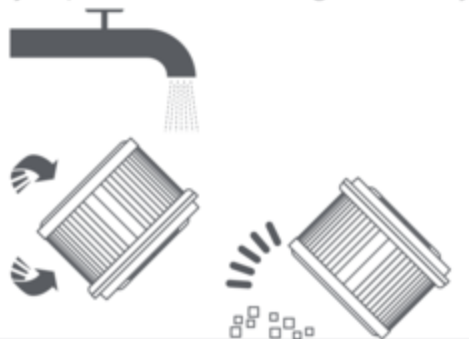


3. Reinig het filter met schoon water. Zorg ervoor dat u het filter 90 graden draait om al het stof dat in het filter vastzit grondig te verwijderen. Tik een paar keer zachtjes op het filter om overtollig vuil te verwijderen.

**McGrp.Ru**

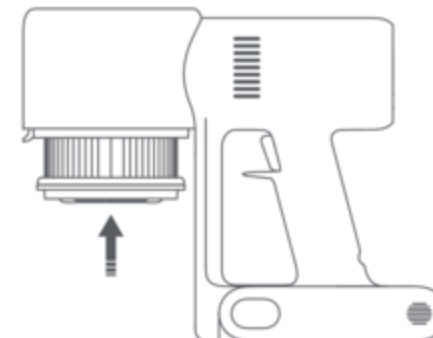
Het filter plaatsen

1. Plaats het filter in de stofzuiger en druk het voorzichtig omlaag, zoals in de afbeelding wordt aangegeven.



Opmerkingen:

- Gebruik alleen schoon water om het filter te reinigen. Gebruik geen schoonmaakmiddel.
- Probeer het filter niet met een borstel of de vingers te reinigen.



2. Plaats het stofcompartiment opnieuw.



Insteken totdat deze op zijn plaats klikt

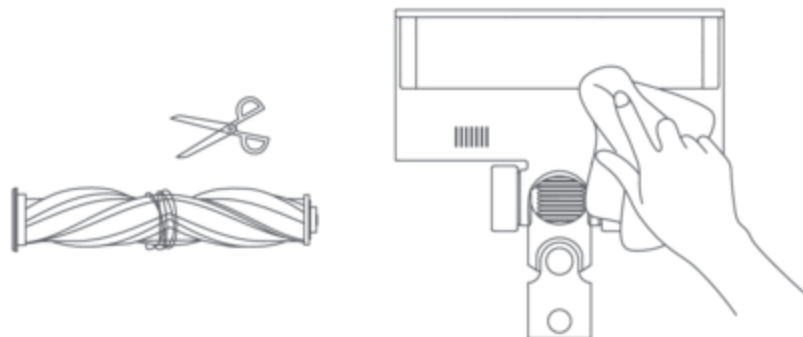
De borstelstang met hoge koppel reinigen

1. Draai de vergrendeling tegen de klok in totdat deze niet meer verder kan en verwijder vervolgens de rolborstel van de borstelstang met hoge koppel.



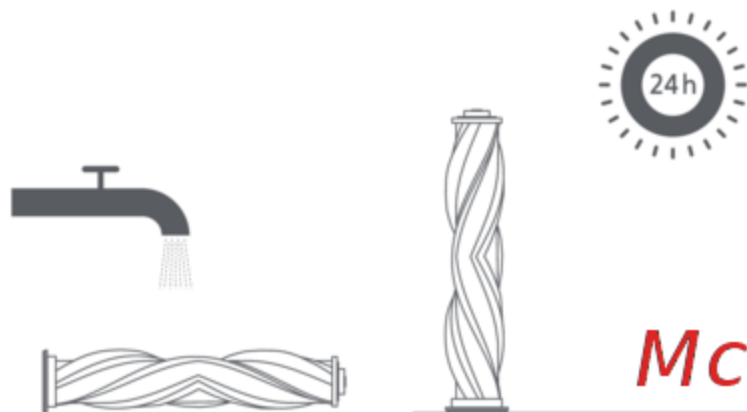
**McGrp.Ru**

2. Gebruik een schaar om haar of ander vuil rond de borstel weg te knippen en eruit te halen. Veeg overtollig stof van de sleuf en de doorzichtige plastic klep met een droge doek of keukenrol.



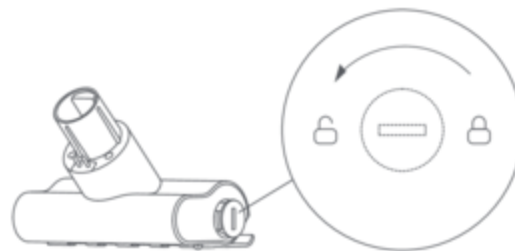


3. Na langdurig gebruik kan de rolborstel vies worden, waarna deze moet worden gereinigd. Laat de rolborstel na het reinigen goed drogen door deze minimaal 24 uur rechtop te zetten in een goed geventileerde ruimte.



### De elektrische miniborstel reinigen

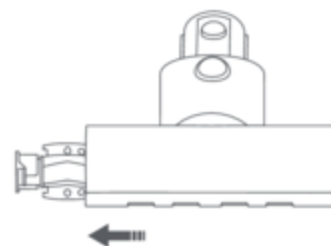
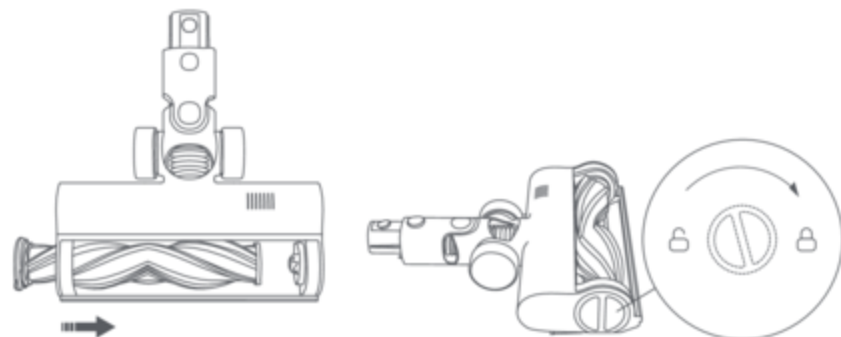
1. Gebruik geschikt gereedschap om het slot tegen de klok in te draaien totdat u een klik hoort.



**McGrp.Ru**

4. Zorg ervoor dat de rolborstel volledig droog is en lijn vervolgens de vergrendeling aan de bovenkant van de rolborstel uit met  om deze opnieuw te plaatsen. Draai de vergrendeling rechthoekig naar  om de rolborstel op zijn plaats te installeren.

2. Na het ontgrendelen van de rolborstel, verwijdert u deze uit de elektrische miniborstel en reinigt en spoelt u de rolborstel.



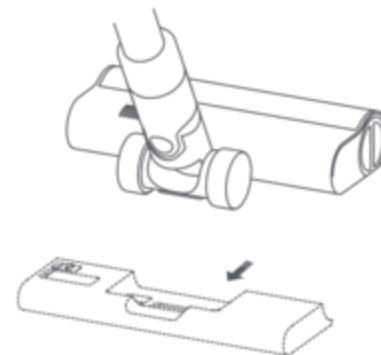
<https://mcgrp.ru/>

3. Laat de rolborstel na het reinigen goed drogen door deze minimaal 24 uur rechtop te zetten in een goed geventileerde ruimte.



### Het waterreservoir en het dweilopzetstuk reinigen

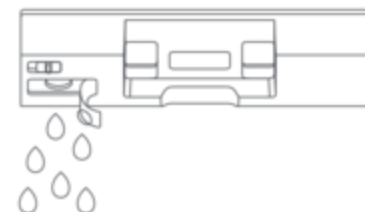
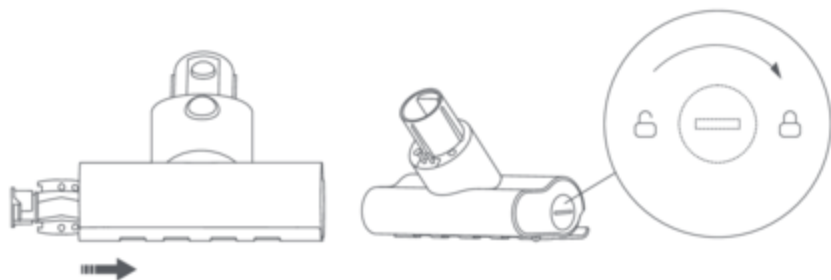
1. Schuif het waterreservoir omlaag om het los te maken van de borstelstang met hoge koppel.



**McGrp.Ru**

4. Zodra de rolborstel droog is, plaatst u deze weer door de stappen voor het loskoppelen in de omgekeerde volgorde uit te voeren.

2. Maak het waterreservoir leeg.



3. Verwijder het dweilopzetstuk van het waterreservoir.



4. Reinig het dweilopzetstuk en laat dit drogen.



Opmerkingen:

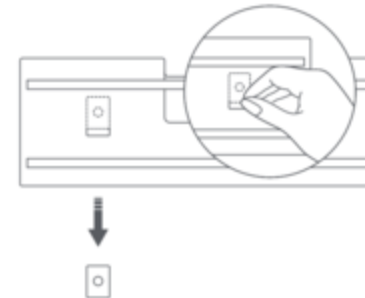
- Wanneer de stofzuiger wordt opgeladen of niet wordt gebruikt, verwijdert u het waterreservoir en laat u het resterende water weglopen om schimmelvorming of onaangename geurtjes te voorkomen.
- Verwijder na het dweilen het dweilopzetstuk en maak deze schoon om te voorkomen dat de waterafvoer wordt geblokkeerd door vuil water.
- Een versleten of beschadigd dweilopzetstuk dat niet meer aan het waterreservoir blijft vastzitten, moet worden vervangen om zo goed mogelijke schoonmaakprestaties te behouden.

## Het filter van de waterdispenser

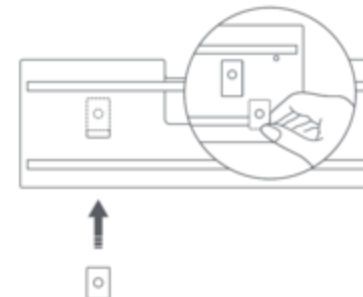
Het filter van de waterdispenser moet worden vervangen als het waterreservoir te langzaam water afgeeft of verstopt raakt.

Voor een optimale effectiviteit van het dweilen, is het raadzaam om de filters van de waterdispenser eens per 3 tot 6 maanden te vervangen, afhankelijk van de waterkwaliteit en de gebruiksfrequentie.

1. Gebruik uw vingers om oude filters van de waterdispenser aan de linker- en rechterkant van elke sleuf eruit te schuiven.



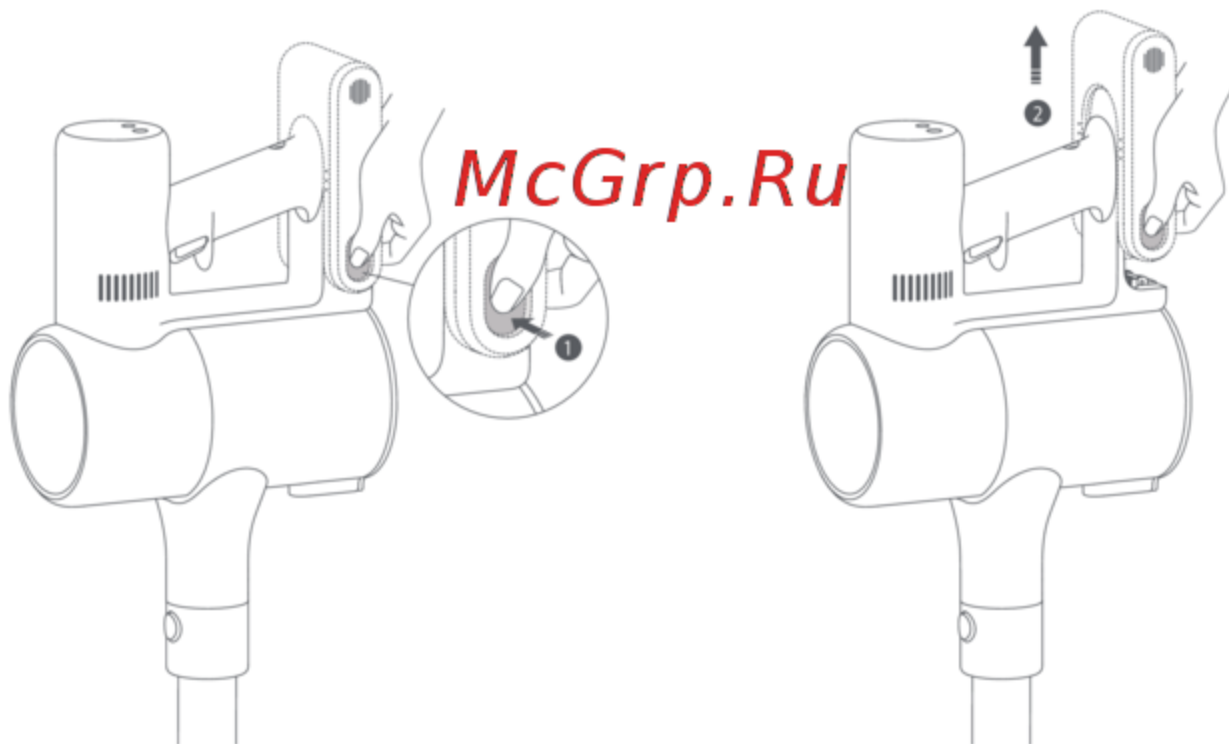
2. Plaats de nieuwe filters van de waterdispenser en controleer of ze juist zijn geplaatst.



## Batterij

De stofzuiger bevat een verwijderbare oplaadbare lithiumionbatterij met een beperkt aantal oplaadcycli. Na langdurig gebruik is het mogelijk dat de batterij geen lading meer vasthoudt. Als dit gebeurt, betekent dit dat de batterij het einde van zijn levenscyclus heeft bereikt en moet worden vervangen.

1. Druk de ontgrendelingsknop van de batterij in en verwijder de batterij door deze naar rechts te schuiven, zoals op de afbeelding is aangegeven.
2. Plaats de nieuwe batterij.



## Specificaties

Stofzuiger			
Model	B207	Nominale spanning	25,2 V ---
Oplaadspanning	30,8 V ---	Batterijcapaciteit	3000 mAh (Nominale capaciteit) 2800 mAh (Nominale vermogen)
Nominale vermogen	425 W	Capaciteit van het stofcompartiment	0,6 L
Oplaadtijd	Ong. 4 uur	Nettogewicht	1,7 kg
Itemafmetingen	1286 × 214 × 256 mm	Nettogewicht (met accessoires)	4,2 kg
Borstelstang met hoge koppel		Elektrische miniborstel	
Model	VMH1	Model	VTV104B
Nominale vermogen	40 W	Nominale vermogen	20 W
Nominale spanning	25,2 V ---	Nominale spanning	25,2 V ---
Oplader			
Geproduceerd door	Zhongshan Baolijin Electronic Co., Ltd.	Gemiddelde actieve efficiëntie	87,5%
Model	BLJ24W308080P-V	Efficiëntie bij lage lading (10%)	77,9%
Ingang	100-240 V ~ 50/60 Hz 0,8 A	Energieverbruik zonder lading	0,10 W
Uitgang	30,8 V --- 0,8 A		
Oplaadbare lithium-ionbatterij			
Model	V2210-7S1P-BCA/V2210-7S1P-BWA	Nominale capaciteit	3000 mAh
Nominale spanning	25,2 V ---	Nominale vermogen	2800 mAh
Stroomvoorziening	70,56 Wh		

## Informatie naleven van de wet- en regelgeving

---

### EU-conformiteitsverklaring



Wij Dreame (Tianjin) Information Technology Co., Ltd. verklaren hierbij dat dit apparaat voldoet aan de toepasselijke richtlijnen en Europese normen en amendementen. De volledige tekst van de EUconformiteitsverklaring is beschikbaar op het volgende internetadres: <http://www.mi.com/global/service/support/declaration.html>  
Een uitgebreide elektronische handleiding vindt u op [www.mi.com/global/service/userguide](http://www.mi.com/global/service/userguide)

### AEEA-informatie



Alle producten met dit symbool behoren tot afgedankte elektrische en elektronische apparatuur (AEEA zoals in Richtlijn 2012/19/EU) en mogen niet worden vermengd met ongesorteerd huishoudelijk afval. In plaats daarvan moet u de volksgezondheid en het milieu beschermen door uw afgedankte apparatuur in te leveren bij een van de aangewezen inzamelpunten voor de recycling van afgedankte elektrische en elektronische apparatuur, ingericht door de overheid of plaatselijke autoriteiten. Correcte verwijdering en recycling zal mogelijk negatieve gevolgen voor het milieu en de algemene gezondheid helpen voorkomen. Neem contact op met de installateur of uw plaatselijke autoriteiten voor meer informatie over de locaties en de voorwaarden van deze inzamelpunten.

**McGrp.Ru**

### Veiligheidsmaatregelen voor de batterij

- De lithium-ionbatterij bevat stoffen die schadelijk zijn voor het milieu. Voordat u de stofzuiger weggooit, dient u eerst de batterij te verwijderen en deze weg te gooien of te recyclen in overeenstemming met de lokale wet- en regelgeving van het land of de regio waarin de stofzuiger wordt gebruikt.
- In ernstige omstandigheden kan er vloeistof uit de batterij worden gespoten. Vermijd blootstelling aan vloeistoffen, aangezien dit irritatie of brandwonden kan veroorzaken. Spoel met water na eventuele blootstelling. Zoek medische hulp als er vloeistof in de ogen komt.

## Problemen oplossen

Probleem	Mogelijke oorzaken	Oplossing
De stofzuiger werkt niet.	De batterij is leeg of bijna leeg.	Laad de stofzuiger volledig op en hervat het gebruik.
	De stofzuiger schakelt over naar de oververhittingsbeschermingsmodus die wordt geactiveerd door een blokkering.	Verwijder eventuele verstoppingen en start de stofzuiger opnieuw wanneer deze is afgekoeld.
	De aanzuigopening of luchtwegdoorgang is geblokkeerd.	Verwijder eventuele blokkades uit de aanzuigopening of de luchtwegdoorgang.
De zuigkracht neemt af.	Het stofcompartiment is vol en/of het filter is verstopt.	Maak het stofcompartiment leeg en maak het filter schoon.
	De borstelstang met hoge koppel, het verlengstuk of andere onderdelen zitten verstopt.	Verwijder eventuele verstoppingen van de borstelstang met hoge koppel, het verlengstuk of andere onderdelen.
De motor maakt een vreemd geluid.	De hoofdaanzuigopening of de verlengstang is geblokkeerd.	Verwijder eventuele blokkades uit de hoofdaanzuigopening of het verlengstuk.
De eerste indicator is rood na het inschakelen van de stofzuiger.	De batterij is beschadigd.	Neem contact op met de klantenservice voor een onderhoudsbeurt.
De eerste indicator knippert rood tijdens het opladen van de stofzuiger.	De oplader is niet compatibel.	Gebruik alleen de originele oplader om de stofzuiger op te laden.
De batterij-indicator licht niet op tijdens het opladen.	De oplader is niet aangesloten op de stofzuiger.	Zorg ervoor dat de oplader juist is aangesloten.
	De batterij is volledig opgeladen en is overgeschakeld naar de slaapmodus.	De stofzuiger kan normaal worden gebruikt.
	Als het probleem zich blijft voordoen nadat u de bovenstaande twee mogelijkheden hebt uitgesloten, neem dan contact op met de klantenservice voor hulp.	
De batterij laadt langzaam op.	De temperatuur van de batterij is te hoog of te laag.	Wacht tot de temperatuur van de batterij weer normaal is en hervat daarna het gebruik.
Er komt langzaam of geen water uit het waterreservoir.	Het filter van de waterdispenser is verstopt.	Reinig of vervang het filter van de waterdispenser.
	Het dweilopzetstuk is vuil.	Reinig of vervang het dweilopzetstuk.

## Foutpictogram

Als de stofzuiger niet goed werkt, wordt op het weergavescherm een foutmelding weergegeven. Raadpleeg de onderstaande tabel om uw oplossing te vinden op basis van de foutmelding.

Foutpictogram	Foutbericht	Oplossing
	Luchtweg is geblokkeerd	Controleer of er verstoppingen zijn in het stofcompartiment, de verlengstang en/of de borstelstang met hoge koppel.
	De rolborstel loopt vast	Raadpleeg "De borstelstang met hoge koppel reinigen" onder het gedeelte Verzorging en onderhoud voor instructies over het verwijderen van haar en ander vuil dat vastzit in de rolborstel.
	Hoge temperatuur waarschuwing	Wacht tot de temperatuur van de batterij weer normaal is voordat u de stofzuiger weer gebruikt.
	Het filter is niet geplaatst	Zorg ervoor dat het filter en het voorfilter juist zijn geplaatst.

Als een van de foutcodes van E0 tot E4 op het weergavescherm verschijnt, neem dan contact op met de klantenservice voor reparatie.



# WARRANTY NOTICE

---

THIS WARRANTY GIVES YOU SPECIFIC RIGHTS, AND YOU MAY HAVE OTHER RIGHTS CONVEYED BY LAWS OF YOUR COUNTRY, PROVINCE OR STATE. INDEED, IN SOME COUNTRIES, PROVINCES OR STATES, CONSUMER LAW MAY IMPOSE A MINIMUM WARRANTY PERIOD. OTHER THAN AS PERMITTED BY LAW, XIAOMI DOES NOT EXCLUDE, LIMIT OR SUSPEND OTHER RIGHTS YOU MAY HAVE. FOR A FULL UNDERSTANDING OF YOUR RIGHTS WE INVITE YOU TO CONSULT THE LAWS OF YOUR COUNTRY, PROVINCE OR STATE.

## 1. LIMITED PRODUCT WARRANTY

XIAOMI warrants that the Products are free from defects in materials and workmanship under normal use and use in accordance with the respective Product user manual, during the Warranty Period.

The duration and conditions related to the legal warranties are provided by respective local laws. For more information about the consumer warranty benefits, please refer to Xiaomi's official website <https://www.mi.com/en/service/warranty/>.

Xiaomi warrants to the original purchaser that its Xiaomi Product will be free from defects in materials and workmanship under normal use in the period mentioned above.

Xiaomi does not guarantee that the operation of the Product will be uninterrupted or error free.

Xiaomi is not liable for damages arising from non-compliance with the instruction related to the use of the Product.

McGrp.Ru

## 2. REMEDIES

If a hardware defect is found and a valid claim is received by Xiaomi within the Warranty Period, Xiaomi will either (1) repair the product at no charge, (2) replace the product, or (3) refund the Product, excluding potential shipping costs.

## 3. HOW TO OBTAIN WARRANTY SERVICE

To obtain warranty service, you must deliver the Product, in its original packaging or similar packaging providing an equal degree of Product protection, to the address specified by Xiaomi. Except to the extent prohibited by applicable law, Xiaomi may require you to present proofs or proof of purchase and / or comply with registration requirements before receiving warranty service.

## 4. EXCLUSIONS AND LIMITATIONS

Unless otherwise stipulated by Xiaomi, this Limited Warranty applies only to the Product manufactured by or for Xiaomi and identifiable by the trademarks, trade name or "Xiaomi" or "Mi" logo.

The Limited Warranty does not apply to any (a) Damage due to acts of nature or God, for example, lightning strikes, tornadoes, flood, fire, earthquake or other external causes; (b) Negligence; (c) Commercial use; (d) Alterations or modifications to any part of the Product; (e) Damage caused by use

with non-Xiaomi products; (f) Damage caused by accident, abuse or misuse; (g) Damage caused by operating the Product outside the permitted or intended uses described by Xiaomi or with improper voltage or power supply; or (h) Damage caused by service (including upgrades and expansions) performed by anyone who is not a representative of Xiaomi.

It is your responsibility to backup any data, software, or other materials you may have stored or preserved on the product. It is likely that the data, software or other materials in the equipment will be lost or reformatted during the service process, Xiaomi is not responsible for such damage or loss. No Xiaomi reseller, agent, or employee is authorized to make any modification, extension, or addition to this Limited Warranty. If any term is held to be illegal or unenforceable, the legality or enforceability of the remaining terms shall not be affected or impaired.

Except as prohibited by laws or otherwise promised by Xiaomi, the after-sales services shall be limited to the country or region of the original purchase.

Products which were not duly imported and/or were not duly manufactured by Xiaomi and/or were not duly acquired from Xiaomi or a Xiaomi's official seller are not covered by the present warranties. As per applicable law you may benefit from warranties from the non-official retailer who sold the product. Therefore, Xiaomi invites you to contact the retailer from whom you purchased the product.

The present warranties do not apply in Hong Kong and Taiwan.

## 5. IMPLIED WARRANTIES

*McGrp.Ru*

Except to the extent prohibited by applicable law, all implied warranties (including warranties of merchantability and fitness for a particular purpose) will have a limited duration up to a maximum duration of this limited warranty. Some jurisdictions do not allow limitations on the duration of an implied warranty, so the above limitation will not be applied in these cases.

## 6. DAMAGE LIMITATION

Except to the extent prohibited by applicable law, Xiaomi shall not be liable for any damages caused by accidents, indirect, special or consequential damages, including but not limited to loss of profits, revenue or data, damages resulting from any breach of express or implied warranty or condition, or under any other legal theory, even if Xiaomi has been informed of the possibility of such damages. Some jurisdictions do not allow the exclusion or limitation of special, indirect, or consequential damages, so the above limitation or exclusion may not apply to you.

## 7. XIAOMI CONTACTS

For customers, please visit the website: <https://www.mi.com/en/service/warranty/>

The contact person for the after-sale service may be any person in Xiaomi's authorized service network, Xiaomi's authorized distributors or the final vendor who sold the products to you. If in doubt please contact the relevant person as Xiaomi may identify.

# AVVISO SULLA GARANZIA

---

LA PRESENTE GARANZIA RICONOSCE AL CLIENTE DIRITTI LEGALI SPECIFICI E IL CLIENTE POTREBBE AVERE ALTRI DIRITTI PREVISTI DA LEGGI DEL PROPRIO PAESE, PROVINCIA O STATO. IN ALCUNI PAESI, PROVINCE O STATI, LA LEGGE PER LA TUTELA DEI CONSUMATORI PUÒ IMPORRE UN PERIODO MINIMO DI GARANZIA. ECCEPITO NEI CASI CONSENTITI DALLA LEGGE, XIAOMI NON ESCLUDE, LIMITA O REVOCA ALTRI DIRITTI CHE L'UTENTE PUÒ AVERE. PER UNA COMPRESIONE COMPLETA DEI PROPRI DIRITTI, INVITIAMO GLI UTENTI A CONSULTARE LE LEGGI DEL PROPRIO PAESE, PROVINCIA O STATO.

## 1. GARANZIA LIMITATA DI PRODOTTO

XIAOMI garantisce che i Prodotti siano privi di difetti in fatto di materiali e manodopera in circostanze di utilizzo normali e in caso di utilizzo in conformità con il manuale utente del rispettivo Prodotto, durante il Periodo di Garanzia.

La durata e le condizioni relative alle garanzie legali sono stabilite dalle relative norme locali. Per ulteriori informazioni sui vantaggi della garanzia per i consumatori, fare riferimento al sito Web ufficiale di Xiaomi <https://www.mi.com/en/service/warranty/>.

Xiaomi garantisce all'acquirente originale che il suo Prodotto Xiaomi sarà privo di difetti in fatto di materiali e manodopera in circostanze di utilizzo normali nel periodo sopra indicato.

Xiaomi non garantisce che il funzionamento del Prodotto sia ininterrotto o privo di errori.

Xiaomi non è responsabile per danni dovuti al mancato rispetto delle istruzioni relative all'utilizzo del Prodotto.

## 2. RIPARAZIONI

Nel caso in cui venga rilevato un difetto hardware e Xiaomi riceva un valido reclamo entro il Periodo di garanzia, Xiaomi (1) riparerà il Prodotto gratuitamente o (2) sostituirà il prodotto o (3) rimborserà il Prodotto, con l'esclusione di eventuali costi di spedizione.

## 3. COME OTTENERE IL SERVIZIO DI GARANZIA

Per ottenere l'assistenza in garanzia, è necessario consegnare il Prodotto, nella sua confezione originale o in una confezione simile che assicuri un grado equivalente di protezione del Prodotto, all'indirizzo indicato da Xiaomi. Ad eccezione della misura proibita dalla legge applicabile, Xiaomi può richiedere che l'utente presenti prove o prova di acquisto e / o soddisfi i requisiti di registrazione prima di ricevere il servizio di garanzia.

## 4. ESCLUSIONI E LIMITAZIONI

Se non precedentemente stipulato da Xiaomi, la presente Garanzia limitata si applica solo al Prodotto fabbricato da o per Xiaomi, che può essere identificato dai marchi, dal nome commerciale o dal logo "Xiaomi" o "Mi".

La Garanzia Limitata non si applica in caso di (a) Danni dovuti a cause naturali o di forza maggiore, ad esempio fulmini, tornado, allagamenti, incendi, terremoti o altre cause esterne; (b) negligenza; (c) uso commerciale; (d) alterazioni o modifiche a qualsiasi parte del Prodotto; (e) Danni causati dall'utilizzo con prodotti non Xiaomi; (f) Danni causati da incidenti, abuso o uso errato; (g) Danni causati dall'aver utilizzato il Prodotto per utilizzi diversi da quelli permessi o previsti come descritto da Xiaomi o con tensione o alimentazione inappropriati; oppure (h) Danni causati dal servizio (inclusi aggiornamenti ed espansioni) fornito da chiunque non sia un rappresentante di Xiaomi.

È responsabilità dell'utente effettuare il backup di qualsiasi tipo di dati, software o altri materiali che l'utente può aver archiviato o conservato nel prodotto. È possibile che i dati, il software o gli altri materiali nell'apparecchio vengano persi o riformattati durante il processo di servizio, Xiaomi non è responsabile per tali danni o perdite.

Nessun rivenditore, agente o dipendente Xiaomi è autorizzato a effettuare qualsiasi modifica, estensione o aggiunta a questa Garanzia Limitata. Se una disposizione è ritenuta illegale o non applicabile, la legalità e l'applicabilità delle disposizioni restanti non viene interessata o compromessa. Salvo quanto vietato dalle leggi o altrimenti promesso da Xiaomi, i servizi post-vendita saranno limitati al paese o alla regione dell'acquisto originale. I Prodotti che non sono stati debitamente importati e/o debitamente prodotti da Xiaomi e/o debitamente acquisiti da Xiaomi o da un rivenditore ufficiale di Xiaomi non sono coperti dalle presenti garanzie. Come da legislazione applicabile, l'utente può usufruire delle garanzie dal rivenditore non ufficiale che ha venduto il prodotto. Perciò Xiaomi invita l'utente a contattare il rivenditore da cui ha acquistato il prodotto.

Le presenti garanzie non si applicano a Hong Kong e Taiwan.

## 5. GARANZIE IMPLICITE

Ad eccezione della misura proibita dalla legge applicabile, tutte le garanzie implicite (incluse le garanzie di commerciabilità e idoneità per finalità particolari) avranno una durata limitata fino alla durata massima di questa garanzia limitata. Alcune giurisdizioni non consentono limitazioni sulla durata di una garanzia implicita, perciò la limitazione di cui sopra non verrà applicata in tali casi.

## 6. LIMITAZIONE DEL DANNO

Ad eccezione della misura proibita dalla legge applicabile, Xiaomi non sarà responsabile per qualsiasi danno causato da incidenti, indiretto, speciale o consequenziale, inclusi, a titolo esemplificativo ma non esaustivo, la perdita di profitti, reddito o dati o danni risultanti da qualsiasi violazione di una garanzia o una condizione espressa o implicita, o in virtù di qualsiasi altra teoria legale, anche se Xiaomi è stata informata della possibilità di tali danni. Alcune giurisdizioni non consentono l'esclusione o la limitazione di danni speciali, indiretti o consequenziali, perciò la limitazione o esclusione di cui sopra potrebbe non applicarsi per l'utente.

## 7. CONTATTI XIAOMI

I clienti possono visitare il sito Web: <https://www.mi.com/en/service/warranty/>

La persona di contatto per il servizio post-vendita può essere qualsiasi addetto della rete di assistenza autorizzata Xiaomi, un addetto dei distributori autorizzati Xiaomi o il venditore finale che ha venduto i prodotti al cliente. In caso di dubbi, contattare la persona indicata da Xiaomi.

*McGrp.Ru*

# GARANTIE

---

CETTE GARANTIE VOUS DONNE DES DROITS SPÉCIFIQUES ET IL EST POSSIBLE DE PROFITER D'AUTRES DROITS OCTROYÉS PAR LES LOIS APPLICABLES DANS VOTRE PAYS, VOTRE RÉGION OU VOTRE DÉPARTEMENT. EN EFFET, DANS CERTAINS PAYS, PROVINCES OU DÉPARTEMENTS, LES DROITS DU CONSOMMATEUR PEUVENT IMPOSER UNE PÉRIODE DE GARANTIE MINIMALE. AUTRES QUE LES LIMITES PERMISES PAR LA LOI, XIAOMI N'EXCLUT PAS, LIMITE NI SUSPEND D'AUTRES DROITS QUE VOUS POUVEZ DÉTENIR. POUR COMPRENDRE PLEINEMENT VOS DROITS, CONSULTEZ LES LOIS APPLICABLES DANS VOTRE PAYS, PROVINCE OU DÉPARTEMENT.

## 1. GARANTIE LIMITÉE DE PRODUIT

XIAOMI garantit que les Produits sont exempts de tout défaut matériel ou de conception dans le cadre d'une utilisation normale en accord avec le mode d'emploi dudit Produit et dans la Durée de garantie.

La durée et les conditions relatives aux garanties légales sont prévues par les lois locales afférentes. Pour plus d'informations sur les avantages de la garantie du consommateur, veuillez consulter le site web officiel de Xiaomi <https://www.mi.com/en/service/warranty/>.

Xiaomi garantit à l'acheteur d'origine que le produit Xiaomi est exempt de tout défaut matériel ou de conception dans le cadre d'une utilisation normale dans la période mentionnée ci-dessus.

Xiaomi ne garantit pas que le fonctionnement du Produit restera ininterrompu et exempt d'erreur.

Xiaomi n'est pas responsable des dommages découlant d'une non-conformité aux instructions liées à l'utilisation du produit.

## 2. SOLUTIONS

Si un défaut matériel est rencontré et une réclamation fondée est reçue par Xiaomi pendant la période de garantie, Xiaomi va soit (1) réparer le produit gratuitement, (2) échanger le produit, ou (3) rembourser le produit, frais d'expédition exclus.

## 3. COMMENT PROFITER D'UN SERVICE DE GARANTIE

Pour bénéficier du service de garantie, vous devez fournir le Produit à l'adresse spécifiée par Xiaomi, dans son emballage d'origine ou dans un emballage similaire garantissant le même degré de protection. Sauf mesures prohibées par la loi applicable, Xiaomi peut vous demander de présenter des preuves d'achat et/ou de vous conformer aux exigences d'inscription avant de profiter du service de garantie.

## 4. EXCLUSIONS ET LIMITATIONS

Sauf stipulation contraire mentionnée par Xiaomi, la présente Garantie limitée s'applique uniquement au Produit fabriqué par ou pour Xiaomi et identifiable par les marques commerciales, le nom commercial ou le logo « Xiaomi » ou « Mi ».

La Garantie limitée ne s'applique pas (a) aux dégâts dus aux catastrophes naturelles, comme la foudre, les tornades, les inondations, les incendies, les tremblements de terre ou autres causes externes (b) aux négligences, (c) à l'utilisation commerciale, (d) aux modifications de tout ou partie du Produit, (e) aux dommages provoqués par une utilisation avec des Produits non-Xiaomi, (f) aux dommages provoqués par un accident, un abus, une mauvaise utilisation (g) aux dommages provoqués par l'utilisation du Produit hors des utilisations autorisées ou prévues décrites par Xiaomi ou avec une tension ou une alimentation électrique inappropriée, ou (h) aux dommages provoqués par une maintenance (mises à niveau ou extensions comprises) réalisée par une personne non représentative de Xiaomi.

Il en va de votre responsabilité de sauvegarder les données, le logiciel ou tout autre matériel que vous pourriez avoir stocké ou préservé sur le Produit. Il est probable que les données, le logiciel ou d'autres matériels de l'équipement soient perdus ou formatés lors d'une maintenance. Xiaomi n'est pas responsable de ce type de dommages ou de pertes.

Aucun revendeur, agent ou employé de Xiaomi n'est autorisé à apporter des modifications, des extensions ou des ajouts à la présente Garantie limitée. Si une disposition est jugée illégale ou inapplicable, la légitimité et l'applicabilité des dispositions restantes ne sauraient être affectées ou impactées.

Sauf mesures prohibées par la loi ou promesse contraire par Xiaomi, les services après-ventes sont limités au pays ou à la région de l'achat initial. Les produits qui n'ont pas été dûment importés et/ou n'ont pas été dûment fabriqués par Xiaomi et/ou n'ont pas été dûment obtenus chez Xiaomi ou un vendeur officiel de Xiaomi ne sont pas couverts par les présentes garanties. Conformément à la loi applicable, vous pouvez bénéficier des garanties depuis le détaillant non officiel qui vous a vendu le produit. Pour cela, Xiaomi vous invite à contacter le détaillant auprès duquel vous avez acheté le produit.

Les présentes garanties ne s'appliquent pas à Hong Kong et à Taiwan.

## 5. GARANTIES IMPLICITES

Sauf mesures prohibées par la loi applicable, toutes les garanties implicites (notamment les garanties de commercialisation et de conformité pour un but spécifique) disposeront d'une durée de garantie limitée allant jusqu'à la durée maximale de la présente garantie limitée. Certaines juridictions n'autorisent pas les limitations de durée d'une garantie implicite. La limitation ci-dessus ne s'applique donc pas à de tels cas.

## 6. LIMITATION DES DOMMAGES

Sauf mesures prohibées par la loi applicable, Xiaomi ne devrait être tenue pour responsable pour tous dommages provoqués par des accidents, indirects, spécifiques ou conséquents, notamment les pertes de bénéfices, de chiffre d'affaires ou de données, résultant de toute brèche dans une garantie ou condition expresse ou implicite, ou sous toute théorie légale, même si Xiaomi a été informée de la possibilité de tels dommages. Certaines juridictions n'autorisent pas l'exclusion ou la limitation des dommages indirects, spécifiques ou conséquents. La limitation ci-dessus ne s'applique donc pas à vous.

*McGrp.Ru*

## 7. CONTACTOS DE XIAOMI

Pour les clients, consultez le site Web : <https://www.mi.com/en/service/warranty/>

La personne à contacter pour le service après-vente peut être n'importe quelle personne de service agréé Xiaomi, les distributeurs agréés Xiaomi ou le vendeur final qui vous a vendu le produit. En cas de doute, veuillez contacter la personne concernée que Xiaomi peut identifier.



# GARANTIEERKLÄRUNG

---

DIESE GARANTIE GIBT IHNEN BESTIMMTE RECHTE UND MÖGLICHERWEISE VERFÜGEN SIE AUFGRUND DER GESETZE IHRES LANDES, IHRER PROVINZ ODER IHRES BUNDESLANDES ÜBER WEITERE RECHTE. IN EINIGEN LÄNDERN, PROVINZEN ODER BUNDESLÄNDERN SCHREIBT DAS VERBRAUCHERRECHT EINE MINDESTGARANTIEZEIT VOR. XIAOMI SCHLIESST IHRE WEITEREN RECHTE NICHT AUS, SCHRÄNKT SIE NICHT EIN UND SETZT SIE NICHT AUS, SOFERN DIES NICHT GESETZLICH ZULÄSSIG IST. UMFASSENDE INFORMATIONEN ZU IHREN RECHTEN FINDEN SIE IN DEN GESETZEN IHRES LANDES, IHRER PROVINZ ODER IHRES BUNDESLANDES.

## 1. EINGESCHRÄNKTE PRODUKTGARANTIE

Xiaomi garantiert Ihnen, dass Ihr Xiaomi-Produkt während der Garantiezeit bei normalem Gebrauch frei und bei Gebrauch in Übereinstimmung mit den Anweisungen des betreffenden Benutzerhandbuchs frei von Material- und Verarbeitungsfehlern ist.

Die gesetzlichen Gewährleistungsfristen und -bestimmungen ergeben sich aus den jeweiligen lokalen Gesetzen. Weitere Informationen zu den Garantieleistungen für Verbraucher finden Sie auf der Website von Xiaomi unter <https://www.mi.com/en/service/warranty/>.

Xiaomi garantiert Ihnen als Erstkäufer, dass das Xiaomi-Produkt während des oben genannten Zeitraums bei normalem Gebrauch frei von Material- und Verarbeitungsfehlern ist.

Xiaomi garantiert nicht, dass das Produkt unterbrechungsfrei oder fehlerfrei funktioniert.

Xiaomi haftet nicht für Schäden, die aus der Nichteinhaltung der Anweisungen zur Verwendung des Produkts resultieren.

## 2. RECHTSMITTEL

Wenn ein Hardwarefehler festgestellt wird und Xiaomi eine gültige Reklamation innerhalb der Garantiezeit erhält, wird Xiaomi entweder (1) das Produkt unter Verwendung neuer oder überholter Ersatzteile kostenlos reparieren, (2) das Produkt ersetzen oder (3) den Kaufpreis des Produkts zurückerstatten, wobei mögliche Versandkosten ausgeschlossen werden.

## 3. NUTZUNG DES GARANTIESERVICES

Um Garantieleistungen in Anspruch nehmen zu können, müssen Sie das Produkt in der Originalverpackung oder einer ähnlichen Verpackung, die das Produkt im gleichen Maße schützt, an die von Xiaomi angegebene Adresse senden. Wenn dies nicht durch anwendbares Recht untersagt ist, kann Xiaomi vor der Erbringung von Garantieleistungen die Vorlage von Kaufnachweise(n) und / oder eine Registrierung von Ihnen verlangen.

## 4. AUSSCHLÜSSE UND EINSCHRÄNKUNGEN

Soweit nicht anders durch Xiaomi bestimmt, gilt diese eingeschränkte Garantie ausschließlich für das von oder für Xiaomi hergestellte Produkt, das durch das die Marken oder Handelsnamen oder das „Xiaomi“- bzw. „Mi“-Logo identifiziert werden kann.

Die Garantie beinhaltet keine (a) Schäden durch Naturereignisse oder höhere Gewalt, z. B. Blitzeinschläge, Tornados, Überschwemmungen, Feuer, Erdbeben oder andere äußere Ursachen; (b) Schäden durch Fahrlässigkeit; (c) Schäden durch kommerzielle Nutzung; (d) Schäden durch Änderungen oder Modifikationen an einem Teil des Produkts; (e) Schäden, die durch die gemeinsame Verwendung mit Produkten anderer Hersteller verursacht werden; (f) Schäden, die durch Unfall, Missbrauch oder Zweckentfremdung verursacht werden; (g) Schäden, die durch den Betrieb des Produkts im Widerspruch zur von Xiaomi beschriebenen zulässigen oder beabsichtigten Verwendung oder durch unzulässige Spannungs- oder Stromversorgung verursacht werden; (h) Schäden, die durch Serviceleistungen (einschließlich Upgrades und Erweiterungen) von Personen verursacht werden, die dafür nicht von Xiaomi autorisiert wurden.

Es liegt in Ihrer Verantwortung, Daten, Software oder andere Materialien, die Sie auf dem Produkt gespeichert haben, zu sichern. Es ist wahrscheinlich, dass Daten, Software oder andere Materialien bei Inanspruchnahme des Garantieservices verloren gehen oder Geräte neu formatiert werden und Xiaomi übernimmt keine Haftung für solche Schäden oder Verluste.

Wiederverkäufer, Agenten oder Mitarbeiter von Xiaomi sind nicht berechtigt, Änderungen, Erweiterungen oder Ergänzungen hinsichtlich dieser eingeschränkten Garantie vorzunehmen. Sollte eine Bestimmung rechtswidrig oder nicht durchsetzbar sein, wird die Rechtmäßigkeit oder Durchsetzbarkeit der übrigen Bestimmungen davon nicht berührt oder beeinträchtigt.

Sofern dies nicht gesetzlich verboten oder anderweitig von Xiaomi versprochen wurde, ist der Kundendienst auf das Land oder die Region des ursprünglichen Kaufs beschränkt.

Produkte, die nicht ordnungsgemäß eingeführt wurden und/oder nicht ordnungsgemäß von Xiaomi hergestellt wurden und/oder nicht ordnungsgemäß von Xiaomi oder einem offiziellen Händler von Xiaomi erworben wurden, fallen nicht unter diese Garantie. Gemäß geltendem Recht können Garantieforderungen gegen Einzelhändler geltend gemacht werden, die das Produkt trotz Ermangelung gegenseitiger Vertriebsvereinbarungen in Umlauf gebracht haben. In solchen Fällen ermutigt Sie Xiaomi, den Händler zu kontaktieren, bei dem Sie das Produkt gekauft haben.

Diese Garantieerklärung ist nicht auf Hong Kong und Taiwan anwendbar.

## 5. STILLSCHWEIGENDE GARANTIE

Soweit durch geltendes Recht zulässig, sind alle stillschweigend begründeten Garantien (einschließlich der Garantie der Gebrauchstauglichkeit oder der Eignung für einen bestimmten Zweck) zeitlich beschränkt und gelten maximal für die Dauer dieser eingeschränkten Garantie. In einigen Ländern ist die Beschränkung der Dauer stillschweigender Garantien nicht zulässig, sodass die o. g. Beschränkung auf Sie nicht zutrifft, wenn Sie Verbraucher in einem dieser Länder sind.

## 6. SCHADENS BESCHRÄNKUNG

Soweit durch geltendes Recht zulässig, haftet Xiaomi nicht für zufällige oder indirekte Schäden, Neben- oder Folgeschäden oder besondere Schadensfolgen einschließlich, aber nicht beschränkt auf, entgangenen Gewinnen oder Einnahmen sowie Datenverluste und Schäden, die aus einer Verletzung einer ausdrücklichen oder stillschweigenden Garantie- oder anderweitigen Bedingung oder aus einer anderen rechtlichen Grundlage resultieren, selbst wenn Xiaomi auf die Möglichkeit solcher Schäden hingewiesen wurde. In einigen Ländern sind Ausschluss oder Beschränkung der Haftung für indirekte oder Folgeschäden sowie besondere Schadensfolgen nicht zulässig, sodass die o. g. Beschränkung auf Sie evtl. nicht zutrifft.

## 7. KONTAKT XIAOMI

Kontaktinformationen finden Sie auf unserer Website: <https://www.mi.com/en/service/warranty/>

Der Kundendienst kann durch jede Person im autorisierten Servicenetz von Xiaomi erbracht werden, durch die autorisierten Händler von Xiaomi oder durch den Endverkäufer, der die Produkte an Sie verkauft hat. Bei Fragen Sie sich bitte an die entsprechende von Xiaomi angegebene Person.

# AVISO DE GARANTÍA

---

ESTA GARANTÍA LE OTORGA DERECHOS ESPECÍFICOS Y PUEDE QUE YA TENGA OTROS DERECHOS QUE VENGAN REFLEJADOS EN LAS LEYES DE SU PAÍS, PROVINCIA O ESTADO. DE HECHO, EN ALGUNOS PAÍSES, PROVINCIAS O ESTADOS, LAS LEYES DEL CONSUMIDOR PUEDEN IMPONER UN PERIODO MÍNIMO DE GARANTÍA. EXCEPTO LO PERMITIDO POR LA LEY, XIAOMI NO EXCLUYE, LIMITA NI SUSPENDE OTROS DERECHOS QUE USTED PUEDA TENER. PARA COMPRENDER DEL TODO SUS DERECHOS, LE RECOMENDAMOS QUE CONSULTE LAS LEYES DE SU PAÍS, PROVINCIA O ESTADO.

## 1. GARANTÍA LIMITADA DEL PRODUCTO

XIAOMI garantiza que los productos no tienen ningún defecto material ni de mano de obra cuando lo use de forma normal de acuerdo al manual de usuario del producto correspondiente durante el periodo de garantía.

La duración y las condiciones relativas a las garantías legales se contemplan en la legislación local respectiva. Para más información acerca de los beneficios de las garantías para el consumidor, diríjase a la página web oficial de Xiaomi <https://www.mi.com/en/service/warranty/>.

Xiaomi garantiza al comprador original que su Producto Xiaomi no tendrá ningún defecto material ni de mano de obra cuando lo use de forma normal durante el periodo de tiempo antes mencionado.

Xiaomi no garantiza que el uso del Producto sea ininterrumpido ni esté libre de errores.

Xiaomi no se hace responsable de los daños que surjan del incumplimiento de las instrucciones relacionadas con el uso del producto.

## 2. MEDIDAS COMPENSATORIAS

Si se encuentra un defecto de hardware y Xiaomi recibe una reclamación válida dentro del Periodo de garantía, Xiaomi (1) reparará el producto sin cargos, (2) reemplazará el producto o (3) lo restituirá, excluyendo los posibles gastos de envío.

## 3. CÓMO OBTENER EL SERVICIO DE GARANTÍA

Para obtener el servicio de garantía, usted debe enviar el producto, o bien en su paquete original o bien con un paquete similar que ofrezca el mismo nivel de protección, a la dirección que especifique Xiaomi. Excepto en la medida que lo prohíba la ley aplicable, Xiaomi podría pedirle que presente pruebas o un comprobante de compra y/o que cumpla con los requisitos de inscripción antes de que usted reciba el servicio de garantía.

## 4. EXCEPCIONES Y LIMITACIONES

A menos que Xiaomi estipule lo contrario, esta Garantía limitada se aplica solo al Producto fabricado por o para Xiaomi e identificable por la marca registrada, el nombre comercial o el logotipo "Xiaomi" o "Mi".

La Garantía limitada no es aplicable a ningún (a) daño provocado por desastres naturales, por ejemplo, rayos, tornados, inundaciones, incendios, terremotos u otras causas externas; (b) negligencia; (c) uso comercial; (d) alteraciones o modificaciones a cualquier parte del Producto; (e) daños provocados por el uso con productos que no son de Xiaomi; (f) daños provocados por accidentes, abusos o malos usos; (g) daños provocados por utilizar el Producto fuera de los usos permitidos o previstos descritos por Xiaomi, o con una tensión o fuente de alimentación incorrecta; o (h) daños provocados por el servicio (incluidas las actualizaciones y expansiones) realizado por cualquiera que no sea representante de Xiaomi.

Es responsabilidad suya hacer una copia de seguridad de cualquier información, software u otros materiales que haya almacenado o conservado sobre el producto. Es probable que los datos, software u otros materiales del equipo se pierdan o se reformateen durante el proceso del servicio. Xiaomi no se hace responsable de dichos daños o pérdidas.

Ningún revendedor, representante ni empleado de Xiaomi está autorizado a realizar modificaciones, extensiones ni adiciones a esta Garantía limitada. Si cualquier término se considera ilegal o inaplicable, la legalidad o la aplicabilidad de los términos restantes no se verán afectados ni perjudicados.

Excepto cuando la ley lo prohíba o cuando Xiaomi prometa lo contrario, el servicio posventa quedará limitado al país o región de compra original.

Los productos que no se importaron debidamente y/o que Xiaomi no fabricó debidamente y/o no fueron adquiridos a Xiaomi o a un vendedor oficial de Xiaomi no están cubiertos por las presentes garantías. De acuerdo con la ley aplicable, usted puede beneficiarse de las garantías del minorista no oficial que vendió el producto. Por lo tanto, Xiaomi le invita a que se ponga en contacto con el minorista al que compró el producto.

Las presentes garantías no se aplican en Hong Kong y Taiwan.

## 5. GARANTÍAS IMPLÍCITAS

Excepto en la medida que lo prohíba la ley aplicable, todas las garantías implícitas (incluidas las garantías de comercialización y adecuación para un fin determinado) estarán limitadas a una duración máxima de hasta la duración límite de esta garantía limitada. Algunas jurisdicciones no permiten las limitaciones en la duración de una garantía implícita, por lo que no se aplicará la limitación anterior en estos casos.

## 6. LIMITACIÓN DE DAÑOS

Excepto en la medida que lo prohíba la ley aplicable, Xiaomi no será responsable de ningún daño accidental, indirecto, especial o consecuente, incluyendo, entre otros, la pérdida de beneficios, ingresos o datos provocada por cualquier incumplimiento de la garantía expresa o implícita, o condición; o bajo cualquier otra teoría legal, incluso cuando se ha informado a Xiaomi de la posibilidad de dichos daños. Algunas jurisdicciones no permiten las excepciones ni las limitaciones de daños especiales, indirectos ni consecuentes, por lo que la limitación o exclusión anterior no se aplicará.

## 7. CONTACTOS DE XIAOMI

Para clientes, visiten la página web <https://www.mi.com/en/service/warranty/>

La persona de contacto del servicio posventa puede ser cualquier persona de la red de servicio autorizado de Xiaomi, los distribuidores autorizados de Xiaomi o el vendedor final que vendió los productos. Si tiene alguna duda, póngase en contacto con la persona correspondiente que pueda identificar Xiaomi.

*McGrp.Ru*

# AVISO DE GARANTIA

---

A PRESENTE GARANTIA CONCEDE-LHE DIREITOS ESPECÍFICOS, PODENDO USUFRUIR DE OUTROS DIREITOS PREVISTOS PELA LEGISLAÇÃO DO SEU PAÍS, PROVÍNCIA OU ESTADO. DE FACTO, NOUTROS PAÍSES, PROVÍNCIAS OU ESTADOS, O DIREITO DOS CONSUMIDORES PODE IMPOR UM PERÍODO DE GARANTIA MÍNIMO. A NÃO SER QUE PERMITIDO POR LEI, A XIAOMI NÃO EXCLUI, LIMITA NEM SUSPENDE OUTROS DIREITOS QUE POSSA TER. PARA UMA COMPREENSÃO COMPLETA DOS SEUS DIREITOS, ACONSELHAMOS QUE CONSULTE A LEGISLAÇÃO DO SEU PAÍS, PROVÍNCIA OU ESTADO.

## 1. GARANTIA LIMITADA DO PRODUTO

A XIAOMI garante que os Produtos não apresentam quaisquer defeitos nos seus componentes e de fabrico sob condições normais de utilização e de acordo com o respetivo manual do utilizador do Produto durante o Período de Garantia.

Os termos e as condições relacionadas com garantias legais são fornecidas pela respetiva legislação local. Para mais informações sobre as vantagens da garantia do cliente, consulte o site oficial da Xiaomi <https://www.mi.com/en/service/warranty/>.

A Xiaomi garante ao comprador original que o seu Produto Xiaomi não apresenta quaisquer defeitos nos seus componentes e de fabrico sob condições normais de utilização durante o período mencionado acima.

A Xiaomi não assegura que o funcionamento do Produto seja contínuo ou sem erros.

A Xiaomi não se responsabiliza por danos resultantes do incumprimento das instruções associadas à utilização do Produto.

## 2. SOLUÇÕES

Se for encontrado um defeito no hardware e apresentada uma reclamação válida à Xiaomi dentro do Período de Garantia, a Xiaomi (1) reparará o produto sem cobrança adicional; (2) substituirá o Produto; ou (3) efetuará o reembolso do Produto, excluindo potenciais custos de envio.

## 3. COMO OBTER O SERVIÇO DE GARANTIA

Para obter o serviço de garantia, terá de entregar o Produto na sua embalagem original ou em embalagem semelhante que forneça o mesmo nível de proteção do Produto, na morada especificada pela Xiaomi. Exceto se proibido pela legislação aplicável, a Xiaomi poderá exigir a apresentação de comprovativos ou de provas de compra e/ou o cumprimento de requisitos de registo antes de obter o serviço de garantia.

## 4. EXCLUSÕES E LIMITAÇÕES

Salvo se estipulado em contrário pela Xiaomi, a presente Garantia Limitada aplica-se apenas ao Produto fabricado por ou para a Xiaomi, que seja identificável pelas marcas registadas, pelo nome comercial ou pelo logótipo "Xiaomi" ou "Mi".

A Garantia Limitada não se aplica a quaisquer (a) danos que resultem de atos da natureza ou causas de força maior, por exemplo, trovoadas, tornados, inundações, incêndios, terremotos ou outras causas externas; (b) casos de negligência; (c) casos de utilização comercial; (d) alterações ou modificações a qualquer parte do Produto; (e) danos causados pela utilização conjunta com produtos que não sejam da Xiaomi; (f) danos causados por acidente, abuso ou má utilização; (g) danos causados pela utilização do Produto para outros fins que não os permitidos ou pretendidos pela Xiaomi ou com voltagem ou fonte de alimentação inadequadas; ou (h) danos causados por atividades de assistência (incluindo atualizações e expansões) desempenhadas por indivíduos que não sejam representantes da Xiaomi.

É da sua responsabilidade efetuar cópias de segurança de quaisquer dados ou outros materiais que possa ter armazenado ou mantido no Produto. É provável que os dados, o software ou outros materiais existentes no equipamento sejam perdidos ou reformatados durante o processo de assistência, pelo que a Xiaomi não se responsabilizará por quaisquer danos ou perdas.

Nenhum revendedor, agente ou funcionário da Xiaomi está autorizado a efetuar qualquer modificação, extensão ou adenda à presente Garantia Limitada. Se algum termo for considerado ilegal ou inexecutável, a legalidade e validade dos restantes termos não deverão ser afetadas nem prejudicadas.

Exceto se proibido pela legislação ou de outra forma prometido pela Xiaomi, os serviços de pós-venda deverão ser limitados ao país ou região da compra original.

Os produtos que não foram devidamente importados e/ou não foram devidamente fabricados pela Xiaomi e/ou não foram devidamente adquiridos à Xiaomi ou a um vendedor oficial da Xiaomi, não se encontram cobertos pelas garantias presentes. Conforme aplicável por lei, pode beneficiar das garantias de um retalhista não oficial que tenha vendido o produto. Assim sendo, a Xiaomi aconselha-o a contactar o retalhista a quem comprou o Produto.

As garantias presentes não se aplicam em Hong Kong nem em Taiwan.



## 5. GARANTIAS IMPLÍCITAS

Exceto se proibido pela legislação aplicável, a Xiaomi não será responsável por quaisquer danos provocados por acidentes, danos indiretos, especiais ou consequentes, incluindo, sem limitação, danos por eventuais perdas de lucros, rendimentos ou dados, danos resultantes de qualquer violação de garantia ou condição expressa ou implícita ou danos verificados ao abrigo de qualquer teoria legal, mesmo quando a Xiaomi tiver sido informada da possibilidade de tais danos. Algumas jurisdições não permitem a exclusão ou limitação de danos especiais, indiretos ou consequentes, pelo que a limitação acima poderá não ser aplicável no seu caso.

## 6. LIMITAÇÃO DE DANOS

Exceto se proibido pela legislação aplicável, a Xiaomi não será responsável por quaisquer danos provocados por acidentes, danos indiretos, especiais ou consequentes, incluindo, sem limitação, danos por eventuais perdas de lucros, rendimentos ou dados, danos resultantes de qualquer violação de garantia ou condição expressa ou implícita ou danos verificados ao abrigo de qualquer teoria legal, mesmo quando a Xiaomi tiver sido informada da possibilidade de tais danos. Algumas jurisdições não permitem a exclusão ou limitação de danos especiais, indiretos ou consequentes, pelo que a limitação acima poderá não ser aplicável no seu caso.

## 7. CONTACTOS DA XIAOMI

Para clientes, visite o site:<https://www.mi.com/en/service/warranty/>

A pessoa de contacto para o serviço de pós-venda pode ser qualquer pessoa na rede de serviços autorizados da Xiaomi, distribuidores autorizados da Xiaomi ou o vendedor final que lhe vendeu os produtos. Em caso de dúvida, contacte a pessoa de contacto identificada pela Xiaomi.

# ГАРАНТИЙНОЕ УВЕДОМЛЕНИЕ

---

НАСТОЯЩАЯ ГАРАНТИЯ ДАЕТ ВАМ ОПРЕДЕЛЕННЫЕ ПРАВА, А В ЗАВИСИМОСТИ ОТ ЗАКОНОДАТЕЛЬСТВА ВАШЕЙ СТРАНЫ, ПРОВИНЦИИ ИЛИ ШТАТА ОНИ МОГУТ БЫТЬ БОЛЕЕ ШИРОКИМИ. В НЕКОТОРЫХ СТРАНАХ, ПРОВИНЦИЯХ И ШТАТАХ ЗАКОНОМ О ЗАЩИТЕ ПРАВ ПОТРЕБИТЕЛЕЙ ПРЕДУСМОТРЕН МИНИМАЛЬНЫЙ ГАРАНТИЙНЫЙ СРОК. КОМПАНИЯ ХИАОМИ НЕ ИСКЛЮЧАЕТ, НЕ ОГРАНИЧИВАЕТ И НЕ ПРИОСТАНАВЛИВАЕТ ОСУЩЕСТВЛЕНИЕ ДРУГИХ ВАШИХ ЗАКОННЫХ ПРАВ. РЕКОМЕНДУЕМ ОЗНАКОМИТЬСЯ С ЗАКОНАМИ ВАШЕЙ СТРАНЫ, ПРОВИНЦИИ ИЛИ ШТАТА ДЛЯ ПОЛНОГО ПОНИМАНИЯ СВОИХ ПРАВ.

## 1. ОГРАНИЧЕННАЯ ГАРАНТИЯ НА ПРОДУКТ

Компания Xiaomi гарантирует, что материалы и качество продуктов исключают возникновение дефектов при условии их нормального использования в соответствии с руководством по эксплуатации в течение гарантийного срока.

Продолжительность и условия правовых гарантий представлены в соответствующих местных законах. Дополнительные сведения о преимуществах гарантий для потребителей см. на официальном веб-сайте Xiaomi <https://www.mi.com/en/service/warranty/>.

Компания Xiaomi гарантирует первоначальному покупателю, что материалы и качество ее продуктов исключают возникновение дефектов при условии их нормального использования в течение вышеуказанного периода.

Xiaomi не гарантирует, что работа продукта будет бесперебойной или безошибочной.

Xiaomi не несет ответственности за убытки, понесенные в результате несоблюдения инструкций по использованию продукта.

## 2. СРЕДСТВА ПРАВОВОЙ ЗАЩИТЫ

Если обнаружен дефект оборудования и компания Xiaomi получила обоснованную претензию в течение гарантийного периода, Xiaomi обязуется (1) выполнить ремонт продукта бесплатно, (2) заменить изделие или (3) возместить стоимость продукта, исключая возможные расходы по доставке.

## 3. КАК ПОЛУЧИТЬ ГАРАНТИЙНОЕ ОБСЛУЖИВАНИЕ

Чтобы получить гарантийное обслуживание, вы должны доставить продукт в оригинальной или аналогичной упаковке, обеспечив равную степень защиты продукта, по адресу, указанному Xiaomi. Компания Xiaomi вправе потребовать предоставить доказательства или доказательство покупки и/или выполнить требования регистрации перед получением гарантийного обслуживания, если иное не предусмотрено законодательством.

## 4. ИСКЛЮЧЕНИЯ И ОГРАНИЧЕНИЯ

Эта ограниченная гарантия распространяется только на продукт, изготовленный компанией Xiaomi или для нее и содержащий ее товарные знаки, торговое наименование или логотип «Xiaomi» либо «Mi», если иное не предусмотрено компанией Xiaomi.

Ограниченная гарантия не распространяется на (а) повреждения в результате стихийных бедствий, например удара молнии, смерча, наводнения, пожара, землетрясения или других экзогенных факторов; (б) следствия халатности; (в) коммерческое использование; (г) внесенные изменения или модификации любой части продукта; (д) повреждения, вызванные использованием продуктов других производителей; (е) повреждения в результате несчастного случая, злоупотребления или неправильного использования; (ж) повреждения, вызванные применением продукта за пределами разрешенного или допускаемого использования, описанного Xiaomi, а также в результате несоответствующего напряжения или питания; (з) повреждения из-за обслуживания (включая обновления и расширения) лицом, не являющимся представителем компании Xiaomi.

Создание резервной копии данных, программного обеспечения и других материалов, которые вы можете хранить на продукте, является вашей ответственностью. Компания Xiaomi не несет ответственности за потерю или реформатирование данных, программного обеспечения и других материалов, содержащихся в оборудовании, в процессе эксплуатации.

Ни один реселлер, агент или сотрудник компании Xiaomi не уполномочен вносить изменения или дополнения в настоящую гарантию. Если какое-либо условие окажется незаконным или юридически недействительным, законность или исполнимость остальных положений не должна быть затронута или нарушена.

Послепродажное обслуживание осуществляется в стране или регионе покупки, за исключением случаев, запрещенных законом, или если иное предусмотрено компанией Xiaomi.

Настоящая гарантия не покрывает продукты, которые не были должным образом импортированы, были изготовлены не компанией Xiaomi и/или приобретены не у Xiaomi либо ее официального представителя. Согласно действующему законодательству, вы можете рассчитывать на гарантии от официального дистрибьютора, который продал продукт. Поэтому компания Xiaomi предлагает обращаться к продавцу, у которого вы приобрели продукт.

Настоящая гарантия не распространяется на Гонконг и Тайвань.

## 5. ПОДРАЗУМЕВАЕМЫЕ ГАРАНТИИ

За исключением случаев, запрещенных законодательством, подразумеваемые гарантии (включая гарантии товарного состояния и пригодности для конкретной цели) имеют ограниченный срок действия, который не может превышать срок действия настоящей ограниченной гарантии. В некоторых юрисдикциях не допускается ограничение срока действия подразумеваемой гарантии. В таких случаях указанное ограничение не применяется.

## 6. ОГРАНИЧЕНИЕ ПОВРЕЖДЕНИЯ

За исключением случаев, запрещенных законодательством, компания Xiaomi не несет ответственности за повреждения в результате ДТП, косвенных, специальных или последующих повреждений, включая потерю прибыли, доходов или данных, убытки, возникшие в результате нарушения явных или подразумеваемых гарантий или условий, или по любой другой законной теории, даже если компания Xiaomi была предупреждена о возможности таких повреждений. В некоторых юрисдикциях не допускается исключение или ограничение ответственности за специальные, косвенные или последующие убытки. В таких случаях указанные выше ограничения не применяются.

## 7. КОНТАКТЫ КОМПАНИИ XIAOMI

Подробную информацию для клиентов см. на сайте <https://www.mi.com/en/service/warranty/>

Контактным лицом для послепродажного обслуживания может быть любое лицо из авторизованной сервисной сети Xiaomi, авторизованный дистрибьютор Xiaomi или продавец, у которого вы приобрели продукт. Если у вас возникли какие-либо вопросы, обратитесь к соответствующему лицу в компании Xiaomi.

# GWARANCJA

---

NINIEJSZA GWARANCJA NADAJE UŻYTKOWNIKOWI OKREŚLONE PRAWA, LECZ MOGĄ MU PRZYSŁUGIWAĆ RÓWNIEŻ INNE PRAWA PRZEWDZIANE PRAWEM DANEGO KRAJU, OKRĘGU ADMINISTRACYJNEGO LUB STANU. PONADTO W NIEKTÓRYCH KRAJACH, OKRĘGACH ADMINISTRACYJNYCH LUB STANACH PRAWO KONSUMENCKIE MOŻE PRZEWIDYWAĆ MINIMALNY OKRES GWARANCJI. WSZELKIE WYKLUCZENIA, OGRANICZENIA LUB ZAWIESZENIA PRAW PRZYSŁUGUJĄCYCH UŻYTKOWNIKOWI, NA JAKIE POWOŁUJE SIĘ FIRMA XIAOMI, NASTĘPUJĄ WYŁĄCZNIE W ZAKRESIE DOZWOLONYM PRZEZ OBOWIĄZUJĄCE PRAWO. W CELU DOKŁADNEGO ZROZUMIENIA SWOICH PRAW ZACHĘCAMY DO ZAPOZNANIA SIĘ Z PRAWEM SWOJEGO KRAJU, OKRĘGU ADMINISTRACYJNEGO LUB STANU.

## 1. OGRANICZONA GWARANCJA NA PRODUKT

Firma Xiaomi gwarantuje, że Produkty są wolne od wad materiałowych i wykonawczych w normalnych warunkach użytkowania i podczas użytkowania zgodnie z właściwą instrukcją obsługi Produktu, przez Okres Gwarancji.

Okres obowiązywania i warunki rękojmi są określone w odpowiednich przepisach lokalnych. Więcej informacji na temat korzyści wynikających z gwarancji konsumenckiej można znaleźć na oficjalnej stronie firmy Xiaomi <https://www.mi.com/en/service/warranty/>.

Firma Xiaomi gwarantuje pierwotnemu nabywcy, że przy normalnym użytkowaniu Produkt będzie wolny od wad materiałowych i produkcyjnych przez wyżej wymieniony okres.

Firma Xiaomi nie gwarantuje, że działanie Produktu będzie nieprzerwane lub wolne od błędów.

Firma Xiaomi nie ponosi odpowiedzialności za szkody spowodowane nieprzestrzeganiem instrukcji dotyczących użytkowania Produktu.

## 2. FORMY ZADOŚĆCZYNIENIA

W przypadku stwierdzenia wady urządzenia i otrzymania przez firmę Xiaomi ważnego roszczenia w Okresie Gwarancji firma Xiaomi (1) naprawi produkt bezpłatnie, (2) wymieni produkt lub (3) zwróci koszt Produktu, z wyłączeniem ewentualnych opłat z tytułu wysyłki.

## 3. JAK SKORZYSTAĆ Z GWARANCJI

Aby skorzystać z gwarancji, należy dostarczyć Produkt na adres podany przez firmę Xiaomi w opakowaniu oryginalnym bądź podobnym, które zapewni Produktowi taki sam poziom ochrony. Przed skorzystaniem z gwarancji firma Xiaomi może (w zakresie dozwolonym przez obowiązujące prawo) zażądać dostarczenia dowodu zakupu i/lub dokonania rejestracji Produktu.

## 4. WYŁĄCZENIA I OGRANICZENIA

O ile firma Xiaomi nie postanowi inaczej, niniejsza Ograniczona Gwarancja dotyczy wyłącznie Produktu wytworzonego przez firmę Xiaomi lub na jej rzecz, oznaczonego znakami towarowymi, nazwą handlową lub logo „Xiaomi” lub „Mi”.

Ograniczona Gwarancja nie dotyczy (a) Szkód spowodowanych działaniem natury lub siły wyższej, np. uderzeniem pioruna, tornadem, powodzią, pożarem, trzęsieniem ziemi lub innymi czynnikami zewnętrznymi; (b) Zaniedbań; (c) Wykorzystania w celach komercyjnych; (d) Modyfikacji dowolnej części Produktu; (e) Szkód związanych z używaniem Produktu w połączeniu z produktami niebędącymi produktami firmy Xiaomi; (f) Szkód powstałych wskutek wypadku, niewłaściwego lub nieprawidłowego używania; (g) Szkód spowodowanych korzystaniem z Produktu w zakresie wykraczającym poza dozwolone lub zamierzone zastosowanie opisane przez firmę Xiaomi lub wskutek zastosowania niewłaściwego napięcia lub zasilania; (h) Szkód spowodowanych przez usługę serwisową (w tym ulepszenia i rozszerzenia) wykonaną przez osobę niebędącą przedstawicielem firmy Xiaomi.

Obowiązkiem użytkownika jest tworzenie kopii zapasowych wszelkich danych, oprogramowania lub innych materiałów przechowywanych lub zapisanych w produkcie. Istnieje możliwość, że podczas serwisowania dane, oprogramowanie lub inne materiały znajdujące się w urządzeniu zostaną utracone lub przeformatowane, a firma Xiaomi nie ponosi odpowiedzialności za takie uszkodzenie lub utratę.

Żaden sprzedawca, agent ani pracownik firmy Xiaomi nie jest upoważniony do dokonywania jakichkolwiek modyfikacji, przedłużania ani uzupełniania niniejszej Ograniczonej Gwarancji. Jeśli jakkolwiek warunek zostanie uznany za niezgodny z prawem lub niemożliwy do wyegzekwowania, nie ma to wpływu na legalność ani wykonalność pozostałych postanowień.

Usługi posprzedażne ograniczają się do kraju lub regionu, w którym dokonano pierwotnego zakupu, chyba że obowiązujące prawo zabrania nałożenia takiego ograniczenia lub firma Xiaomi złożyła w tym zakresie inne zobowiązanie.

Produkty, które nie zostały sprowadzone i/lub nie zostały wyprodukowane przez firmę Xiaomi i/lub nie zostały nabyte od firmy Xiaomi lub oficjalnego sprzedawcy firmy Xiaomi, nie są objęte niniejszymi gwarancjami. Zgodnie z obowiązującym prawem użytkownikowi mogą przysługiwać gwarancje udzielone przez nieoficjalnego sprzedawcę, który sprzedał dany produkt. Dlatego firma Xiaomi zachęca do skontaktowania się ze sprzedawcą, u którego zakupiono produkt.

Niniejsze gwarancje nie mają zastosowania w Hongkongu i Tajwanie.

## 5. GWARANCJE DOROZUMIANE

Z wyjątkiem przypadków, w których jest to zakazane przez obowiązujące prawo, okres obowiązywania wszystkich dorozumianych gwarancji (w tym gwarancji przydatności handlowej i przydatności do określonego celu) jest ograniczony do maksymalnego okresu obowiązywania tej ograniczonej gwarancji. Niektóre jurysdykcje nie zezwalają na ograniczenie okresu obowiązywania gwarancji dorozumianej, w związku z czym powyższe ograniczenie nie będzie mieć w takich przypadkach zastosowania.

## 6. OGRANICZENIE ODPOWIEDZIALNOŚCI Z TYTUŁU SZKÓD

W zakresie, w jakim nie zakazuje tego obowiązujące prawo, firma Xiaomi nie ponosi odpowiedzialności za szkody spowodowane przez wypadek, pośrednie, szczególne lub wtórne, w tym między innymi za utratę zysków, dochodów lub danych, szkody wynikające z jakiegokolwiek naruszenia wyraźnej lub dorozumianej gwarancji lub warunku, bądź szkody wynikające z jakiegokolwiek innej teorii prawnej, nawet jeśli firmę Xiaomi poinformowano o możliwości wystąpienia takich szkód. Niektóre jurysdykcje nie zezwalają na wyłączenie lub ograniczenie odpowiedzialności z tytułu szkód szczególnych, pośrednich lub wtórnych, w związku z czym powyższe ograniczenie lub wyłączenie może nie mieć zastosowania do danego użytkownika.

## 7. KONTAKT Z FIRMĄ XIAOMI

Klientów zachęca się do odwiedzenia strony <https://www.mi.com/en/service/warranty/>

Osobą kontaktową w zakresie obsługi posprzedażnej może być dowolna osoba w autoryzowanej sieci serwisowej Xiaomi, autoryzowany dystrybutor Xiaomi lub ostateczny sprzedawca, który sprzedał produkt użytkownikowi. W przypadku wątpliwości należy skontaktować się z odpowiednią osobą wskazaną przez firmę Xiaomi.

# GARANTİ BİLDİRİMİ

BU GARANTİ SİZE BELİRLİ HAKLAR VERMEKTEDİR VE BUNLARIN YANI SIRA ÜLKENİZİN, EYALETİNİZİN VEYA DEVLETİNİZİN YASALARIYLA SAĞLANAN BAŞKA HAKLARA DA SAHİP OLABİLİRSİNİZ. NİTEKİM BAZI ÜLKELERDE, EYALETLERDE VEYA DEVLETLERDE TÜKETİCİ YASALARI, BELİRLİ BİR ASGARİ GARANTİ SÜRESİ OLMASINI ZORUNLU KILABİLİR. XIAOMI, YASALARLA AKSİ BELİRTİLMEDİĞİ SÜRECE, SAHİP OLABİLECEĞİNİZ DİĞER HAKLARI HARIÇ TUTMAZ, SINIRLAMAZ VEYA ASKIYA ALMAZ. HAKLARINIZI TAM OLARAK ANLAMAK İÇİN ÜLKENİZİN, EYALETİNİZİN VEYA DEVLETİNİZİN YASALARINA BAŞVURMANIZ RİCA OLUNUR.

## 1. SINIRLI ÜRÜN GARANTİSİ

XIAOMI, Ürünlerin, Garanti Süresi boyunca normal kullanım koşulları altında ve ilgili Ürün kullanım kılavuzuna uygun olarak kullanılması şartıyla herhangi bir malzeme ve işçilik kusurunun olmadığını garanti eder.

Yasal garantilerle ilgili süre ve koşullar ilgili yerel yasalar tarafından sağlanır. Tüketici garantisiyle sunulan faydalar hakkında daha fazla bilgi edinmek için lütfen Xiaomi'nin resmi web sitesine başvurun: <https://www.mi.com/en/service/warranty/>.

Xiaomi, ilk alıcıya, Xiaomi Ürününün yukarıda belirtilen süre zarfında normal kullanım koşulları altında malzeme ve işçilik kusuru bulunmayacağını garanti eder.

Xiaomi, Ürünün kesintisiz veya hatasız bir şekilde çalışacağını garanti etmez.

Xiaomi, Ürünün kullanımıyla ilgili yönergelere uyulmamasından kaynaklanan hasarlardan sorumlu değildir.

## 2. TELAFİLER

Donanım kusuru bulunması ve Garanti Süresi içinde Xiaomi tarafından geçerli bir hak talebi alınması durumunda Xiaomi, (1) ürünü ücretsiz olarak onaracak, (2) ürünü değiştirecek veya (3) Ürünü iade edecektir (olası nakliye masrafları hariç).

## 3. GARANTİ KAPSAMINDA SERVİSTEN YARARLANMA

Garanti kapsamında servisten yararlanmak için Ürünü, orijinal ambalajında veya eşit derecede Ürün koruması sağlayan benzer bir ambalajda Xiaomi tarafından belirtilen adrese teslim etmeniz gerekir. Yürürlükteki yasaların izin vermediği durumlar haricinde Xiaomi, garanti kapsamında servis almadan önce belirli kanıtlar veya satın alma belgesi sunmanızı ve/veya kayıt şartlarına uymanızı gerekli kılabilir.



## 4. İSTİSNALAR VE SINIRLAMALAR

Xiaomi tarafından aksi belirtilmedikçe işbu Sınırlı Garanti yalnızca, Xiaomi tarafından veya Xiaomi adına üretilip ticari marka, ticari ad ya da "Xiaomi" veya "Mi" logosu ile tanımlanan Ürünler için geçerlidir.

İşbu Sınırlı Garanti; (a) yıldırım çarpması, kasırga, sel, yangın, deprem veya diğer harici nedenler gibi doğa olaylarına bağlı hasarlar; (b) İhmal; (c) Ticari kullanım; (d) Ürünün herhangi bir kısmında değişiklik yapılması; (e) Xiaomi dışı ürünlerle kullanımdan kaynaklanan hasarlar; (f) Kaza, suistimal veya yanlış kullanımdan kaynaklanan hasarlar; (g) Ürünü, Xiaomi tarafından açıklanan, izin verilen veya amaçlanan kullanımların dışında ya da uygun olmayan voltaj veya güç kaynağı ile çalıştırmaktan kaynaklanan hasarlar; (h) Xiaomi'nin temsilcisi olmayan herhangi bir kişi tarafından gerçekleştirilen servis işleminden (yükseltmeler ve genişletmeler dahil) kaynaklanan hasarlar için herhangi bir şekilde geçerli olmayacaktır. Üründe depoladığınız veya muhafaza ettiğiniz tüm verileri, yazılımları veya diğer malzemeleri yedeklemek sizin sorumluluğunuzdadır. Ekipmandaki veriler, yazılımlar veya diğer malzemeler servis işlemi sırasında kaybolabilir veya yeniden biçimlendirilebilir ve Xiaomi bu tür bir hasar veya kayıptan sorumlu değildir.

Hiçbir Xiaomi satıcısının, temsilcisinin veya çalışanının işbu Sınırlı Garanti üzerinde herhangi bir değişiklik, genişletme veya ekleme yapma yetkisi yoktur. Herhangi bir koşulun yasadışı veya uygulanamaz olması durumunda kalan koşulların yasalılığı veya uygulanabilirliği etkilenmez veya zarar görmez.

Yasalarla engellendiği veya Xiaomi'nin farklı vaatlerde bulunduğu durumlar haricinde, satış sonrası hizmetler ilk satın alımın yapıldığı ülke veya bölge ile sınırlı olacaktır.

Usulünce ithal edilmemiş ve/veya Xiaomi tarafından usulüne uygun olarak üretilmemiş ve/veya Xiaomi veya Xiaomi'nin resmi satıcısından usulüne uygun olarak alınmamış ürünler, bu garantiler kapsamında değildir. Yürürlükteki yasalara göre, ürünün satışını yapmış olan, resmi olmayan satıcıların sunduğu garantilerden yararlanabilirsiniz. Bu nedenle, Xiaomi sizi ürünü satın aldığınız satıcıyla iletişim kurmaya davet ediyor.

Mevcut garantiler Hong Kong ve Tayvan'da geçerli değildir.

## 5. ZİMNİ GARANTİLER

Yürürlükteki yasaların izin verdiği ölçüde, tüm zımnî garantiler (ticari garantiler ve belirli bir amaca uygunluk dahil) işbu sınırlı garantinin azami süresiyle sınırlı bir süreye sahip olacaktır. Yargı mercilerinin, zımnî garantinin süresiyle ilgili sınırlamalara izin vermediği durumlarda yukarıdaki sınırlama uygulanmayacaktır.

## 6. HASAR SINIRLAMASI

Yürürlükteki yasalarla engellenmediği ölçüde Xiaomi; kazalardan kaynaklanan zararların yanı sıra kâr, gelir veya veri kaybı, açık ya da zımnî herhangi bir garanti veya koşulun ihlali sonucunda ya da başka herhangi bir yasal teori bağlamında ortaya çıkan zararlar dahil ancak bunlarla sınırlı olmaksızın özel veya dolaylı hiçbir zarardan söz konusu zararların olasılığıyla ilgili olarak önceden bilgilendirilmiş olsa bile sorumlu olmayacaktır. Bazı yargı mercilerinde özel veya dolaylı zararların hariç tutulmasına veya sınırlandırılmasına izin verilmez. Bu nedenle yukarıdaki sınırlama veya istisna sizin için geçerli olmayabilir.

*McGrp.Ru*

## 7. XIAOMI İRTİBAT KİŞİLERİ

Müşterilerin şu web sitesini ziyaret etmesi rica olunur: <https://www.mi.com/en/service/warranty/>

Satış sonrası hizmet için irtibat kişisi, Xiaomi yetkili servis ağında çalışan herhangi bir kişi, Xiaomi yetkili dağıtıcıları veya ürünleri satın aldığınız nihai satıcı olabilir. Emin değilseniz lütfen Xiaomi'nin belirleyebileceği ilgili kişiyle iletişime geçin.

# GARANTIEVERKLARING

---

DEZE GARANTIE VERLEENT U SPECIFIEKE RECHTEN. MOGELIJK BESCHIKT U OOK OVER ANDERE RECHTEN OP GROND VAN DE WETGEVING IN UW LAND, PROVINCIE OF STAAT. IN SOMMIGE LANDEN, PROVINCIES OF STATEN KAN ER IN DE CONSUMENTENWETGEVING EEN MINIMALE GARANTIEPERIODE WORDEN OPGELEGD. ANDERE RECHTEN WAAROVER U MOGELIJK BESCHIKT, WORDEN DOOR XIAOMI NIET UITGESLOTEN, BEPERKT OF OPGESCHORT, TENZIJ DIT BIJ WET IS TOEGESTAAN. VOOR EEN VOLLEDIG INZICHT IN UW RECHTEN RADEN WE U AAN DE WETGEVING VAN UW LAND, PROVINCIE OF STAAT TE RAADPLEGEN.

## 1. BEPERKTE PRODUCTGARANTIE

XIAOMI garandeert dat de Producten bij normaal gebruik en gebruik in overeenstemming met de gebruikershandleiding voor het betreffende Product gedurende de Garantieperiode vrij zijn van defecten in de materialen en het vakmanschap.

De duur en de voorwaarden die verband houden met juridische garanties worden bepaald in de toepasselijke lokale wetgeving. Raadpleeg voor meer informatie over de garantievoorwaarden voor de klant de officiële website van Xiaomi <https://www.mi.com/en/service/warranty/>

Xiaomi garandeert de oorspronkelijke koper dat het Xiaomi-product bij normaal gebruik gedurende de hiervoor genoemde periode vrij is van defecten in de materialen en het vakmanschap.

Xiaomi garandeert niet dat de werking van het Product ononderbroken of storingsvrij is.

Xiaomi is niet aansprakelijk voor schade als gevolg van het niet volgen van de instructies die verband houden met het gebruik van het Product.

## 2. VERHAAL

Indien er binnen de garantieperiode een hardwaredefect optreedt en een geldige claim wordt ontvangen door Xiaomi, zal Xiaomi 1) het Product kosteloos repareren, 2) het Product vervangen, of 3) de aanschafprijs van het Product terugbetalen, uitgezonderd eventuele verzendkosten.

### 3. VERKRIJGEN VAN GARANTIESERVICE

Voor het verkrijgen van garanteservice moet u het Product, in de originele verpakking of een soortgelijke verpakking die een gelijke mate van bescherming biedt aan het Product, sturen naar het door Xiaomi verstrekte adres. Xiaomi kan, voor zover niet verboden in de toepasselijke wetgeving, verlangen dat u een aankoopbewijs overlegt en/of voldoet aan de registratievereisten voordat u garanteservice ontvangt.

### 4. UITSLUITINGEN EN BEPERKINGEN

Tenzij anders voorgeschreven door Xiaomi, is deze beperkte garantie uitsluitend van toepassing op het door of voor Xiaomi geproduceerde Product dat kan worden geïdentificeerd door de handelsmerken, de handelsnaam of het logo 'Xiaomi' of 'Mi'.

De beperkte garantie is niet van toepassing op: a) schade als gevolg van natuurrampen, zoals blikseminslagen, tornado's, overstromingen, brand, aardbevingen of andere externe oorzaken; b) nalatigheid; c) commercieel gebruik; d) wijzigingen of aanpassingen in enig deel van het Product; e) schade als gevolg van gebruik met niet-Xiaomi-producten; f) schade als gevolg van ongedrukte, misbruik of verkeerd gebruik; g) schade als gevolg van het gebruik van het Product buiten het toegestane of beoogde gebruik zoals beschreven door Xiaomi of met een niet-geschikt voltage of elektrische voeding; h) schade als gevolg van servicewerkzaamheden (waaronder upgrades en uitbreidingen) die zijn uitgevoerd door een persoon die geen vertegenwoordiger van Xiaomi is; of i) het niet opvolgen van instructies met betrekking tot het gebruik van het Product.

Het is uw verantwoordelijkheid om een reservekopie te maken van eventuele gegevens, software of andere materialen die mogelijk zijn opgeslagen of bewaard op het product. De kans is groot dat de gegevens, software en andere materialen in de apparatuur verloren gaan of opnieuw worden geformatteerd tijdens de servicewerkzaamheden. Xiaomi is niet verantwoordelijk voor dergelijke schade of verlies.

Wederverkopers, vertegenwoordigers en werknemers van Xiaomi zijn niet bevoegd om wijzigingen, verlengingen of aanvullingen aan te brengen in deze beperkte garantie. Indien een bepaling als onrechtmatig of niet-afdwingbaar wordt bestempeld, heeft dit geen invloed op noch vormt dit een belemmering van de rechtmatigheid en de afdwingbaarheid van de overige bepalingen.

Uitgezonderd zoals bij wetgeving verboden of anderszins beloofd door Xiaomi is de klantenservice na verkoop beperkt tot het land of de regio waar de oorspronkelijke aankoop heeft plaatsgevonden.

Producten die niet naar behoren zijn ingevoerd en/of die niet naar behoren zijn geproduceerd door Xiaomi en/of niet naar behoren zijn verkregen van Xiaomi of een officiële wederverkoper van Xiaomi, vallen niet onder deze garanties. Volgens toepasbare wet haalt u mogelijk voordeel uit garanties van de niet-officiële verkoper die het product heeft verkocht. Xiaomi vraagt u daarom contact op te nemen met de verkoper van wie u het product hebt gekocht.

De huidige garanties zijn niet van toepassing in Hong Kong en Taiwan.

## 5. IMPLICIETE GARANTIES

Uitgezonderd voor zover bij wet verboden, zijn alle impliciete garanties (waaronder garanties betreffende verkoopbaarheid en geschiktheid voor een bepaald doel) beperkt tot de duur van deze beperkte garantie. Sommige rechtsgebieden staan geen beperkingen van de duur van een impliciete garantie toe en de bovenstaande beperking wordt in die gevallen niet toegepast.

## 6. SCHADEBEPERKING

Uitgezonderd voor zover bij wet verboden, is Xiaomi niet aansprakelijk voor eventuele schade als gevolg van een ongeluk, indirecte, speciale of gevolgschade, waaronder, maar niet beperkt tot, het verlies van winst, inkomsten of gegevens, schade als gevolg van een schending van een uitdrukkelijke of impliciete garantie of voorwaarde of op grond van een andere juridische theorie, zelfs niet wanneer Xiaomi is geïnformeerd over de mogelijkheid van dergelijke schade. Sommige rechtsgebieden staan de uitsluiting of beperking van speciale, indirecte, of gevolgschade niet toe, dus het kan zijn dat bovenstaande beperking of uitsluiting niet op u van toepassing is.

*McGrp.Ru*

## 7. CONTACT MET XIAOMI

Klanten kunnen naar de website <https://www.mi.com/en/service/warranty/> gaan.

De contactpersoon voor klantenservice na verkoop mag iedere persoon zijn die deel uitmaakt van het erkende servicenetwerk van Xiaomi, erkende distributeurs van Xiaomi of de eindverkoper die producten aan u heeft verkocht. Indien u twijfels hebt, neemt u contact op met de door Xiaomi aangewezen persoon.